

THIS DRAWING IS UNPUBLISHED. RELEASED FOR PUBLICATION
 © COPYRIGHT BY TYCO ELECTRONICS CORPORATION. ALL RIGHTS RESERVED.

LOC	DIST	REVISIONS					
GP	00	P	LTR	DESCRIPTION	DATE	DWN	APVD
			A	NEW RELEASE	26FEB07	RG	DO

1. PART NUMBER CHANGES AND/OR DESIGN CHANGES AFFECTING ITEM INTERCHANGEABILITY REQUIRE PRIOR TYCO APPROVAL AND AUTHORIZATION BY REVISION TO THIS DRAWING.

2. ITEMS PROVIDED TO THIS SPECIFICATION TO BE PERMANENTLY IDENTIFIED PER THE FOLLOWING IDENTIFIER:

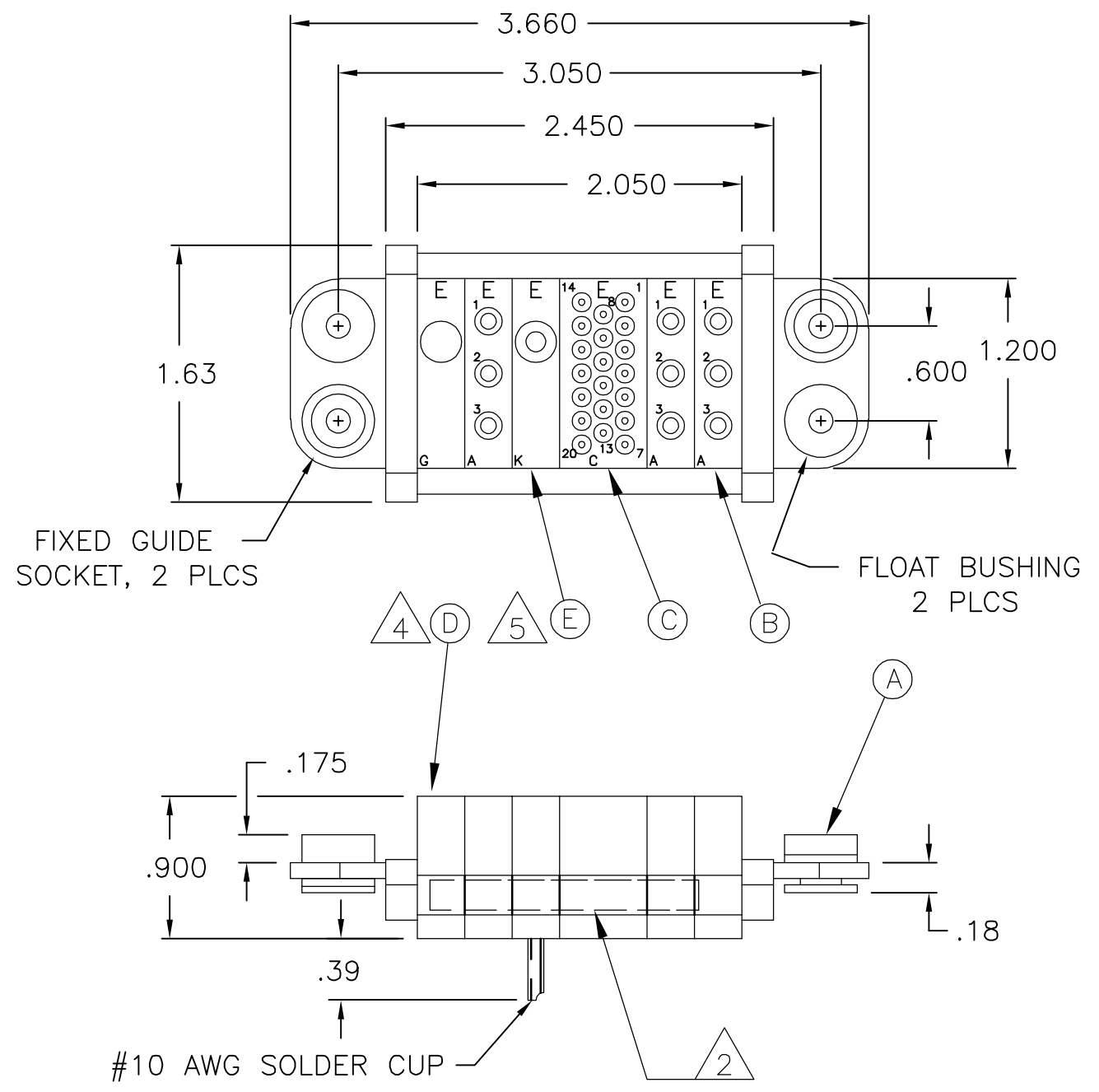
YEAR WEEK
 TYCO PART NUMBER DATE CODE (e.g. 0212)
 XXXXXXXX-X XXXX

3. MODULES NOTED ARE CRIMP REMOVABLE STYLE. THIS ASSEMBLY DOES NOT INCLUDE SOCKET CONTACTS. PROPER CONTACT ORDERING AND SELECTION SHALL BE THE RESPONSIBILITY OF THE CUSTOMER. THE FOLLOWING PART NUMBERS AND DESCRIPTIONS ARE SHOWN FOR REFERENCE ONLY.

SIZE #12 SOCKET CONTACTS: PN 6648318-1
 SIZE #20 SOCKET CONTACTS: PN 1648325-1

4. MODULE G NOTED ARE BLANK AND ARE USED AS SPACERS ONLY.

5. MODULE K SOCKET CONTACT INSTALLED.

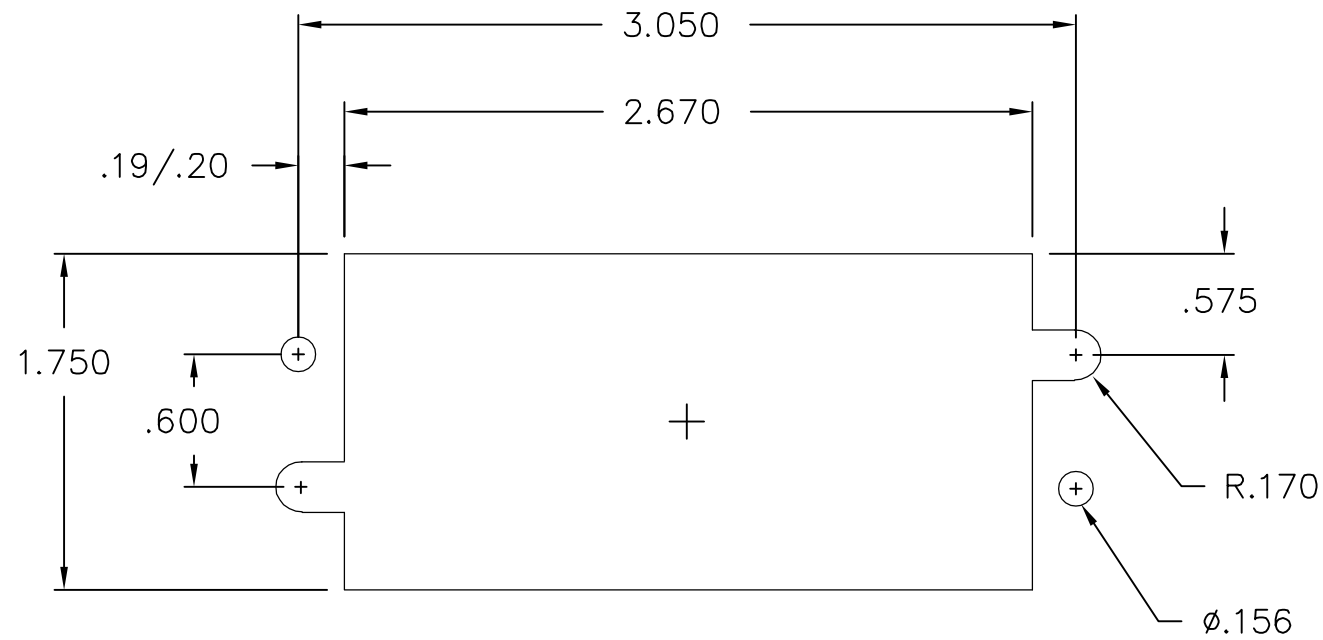


1	6648475-1	MODULE K	E
1	1648473-1	MODULE G	D
1	1648468-1	MODULE C	C
3	1648466-1	MODULE A	B
2	6648252-1	END CAP, GUIDE SOCKET, FLOAT	A
-1	PART NUMBER	DESCRIPTION	ITEM

THIS DRAWING IS A CONTROLLED DOCUMENT.		DWN R.GRZYBOWSKI 26FEB2007	Tyco Electronics Corporation Harrisburg, PA 17105-3608	
DIMENSIONS: INCHES		CHK D.ORRIS 26FEB07	NAME S.FLICKINGER 26FEB07	
TOLERANCES UNLESS OTHERWISE SPECIFIED:		PRODUCT SPEC	SOCKET CONNECTOR DOMINO W/ PANEL CUT-OUT	
MATERIAL		APPLICATION SPEC	SIZE A3	CAGE CODE 00779
FINISH		WEIGHT	DRAWING NO C-6643980	RESTRICTED TO
		CUSTOMER DRAWING	SCALE 1:1	SHEET 1 OF 2
			REV A	

THIS DRAWING IS UNPUBLISHED. RELEASED FOR PUBLICATION
 © COPYRIGHT - BY TYCO ELECTRONICS CORPORATION. ALL RIGHTS RESERVED.

LOC	DIST	REVISIONS			
P	LTR	DESCRIPTION	DATE	DWN	APVD
GP	00	SEE SHEET 1	-	-	-



THIS DRAWING IS A CONTROLLED DOCUMENT.		DWN R.GRZYBOWSKI 26FEB2007	Tyco Electronics Corporation Harrisburg, PA 17105-3608		
DIMENSIONS: INCHES	TOLERANCES UNLESS OTHERWISE SPECIFIED:	CHK D.ORRIS 26FEB07	NAME		
	0 PLC ± -	APVD S.FLICKINGER 26FEB07	SOCKET CONNECTOR DOMINO W/ PANEL CUT-OUT		
	1 PLC ± -	PRODUCT SPEC	SIZE		
	2 PLC ± .02	APPLICATION SPEC	CAGE CODE	DRAWING NO	RESTRICTED TO
	3 PLC ± .010		A3	00779	C-6643980
	4 PLC ± -	WEIGHT	-		
	ANGLES ± -		CUSTOMER DRAWING		
MATERIAL	FINISH		SCALE	SHEET	REV
-	-		1:1	2 OF 2	A

X-ON Electronics

Largest Supplier of Electrical and Electronic Components

Click to view similar products for [Heavy Duty Power Connectors](#) category:

Click to view products by [TE Connectivity](#) manufacturer:

Other Similar products are found below :

[647757-1](#) [6643411-1](#) [6646058-2](#) [6646137-1](#) [6646138-1](#) [6646479-1](#) [6646608-1](#) [6646786-1](#) [6646940-1](#) [6651091-1](#) [6651525-1](#) [6651529-1](#)
[6651788-1](#) [696475-1](#) [702-32-01109](#) [703-25-02205](#) [73000005059](#) [73000005642](#) [73080255059](#) [73080965046](#) [765-15-0080A](#) [765-16-0080B](#)
[765-18-0080D](#) [829992-1](#) [902-77-02113](#) [PS00/A0620/6300](#) [PS25/A0420/63](#) [129-1J](#) [1409400](#) [AN0024023](#) [E6374G1](#) [e6389g2](#) [157-43GW8](#)
[MS3117-14AC](#) [1643543-1](#) [1650540-1](#) [1651811-2](#) [1766260-1](#) [1766282-1](#) [1766966-1](#) [1791340000](#) [NLDFT-3-BL-L-S120-M40A](#) [NLDFT-N-](#)
[W-L-C240-M40B](#) [NLS-2-R-C240-M40B](#) [NLS-N-W-C240-M40B](#) [NPS-3-BL-T6](#) [1986615-1](#) [2-1589900-8](#) [2199314-1](#) [KA8102](#)