

REVISIONS					
P	LTR	DESCRIPTION	DATE	DWN	APVD
	2	PRODUCTION ISSUE	05FEB2019	PNT	MT

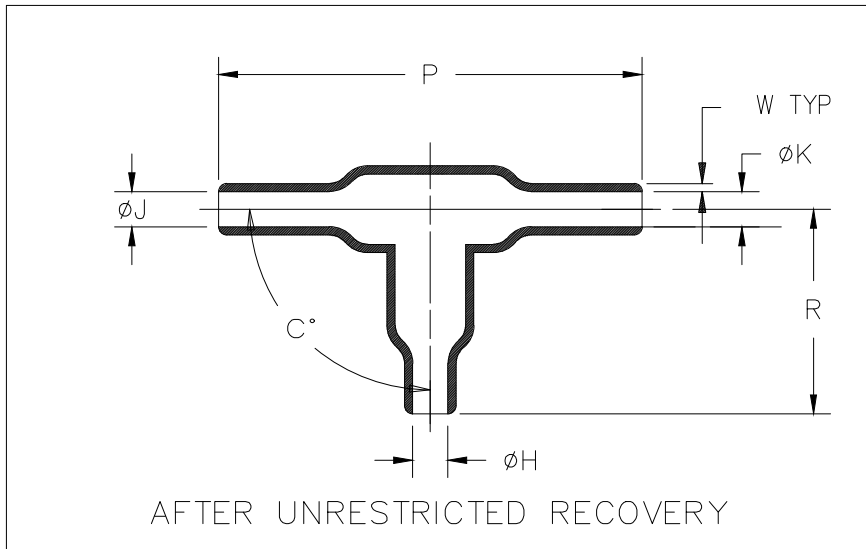
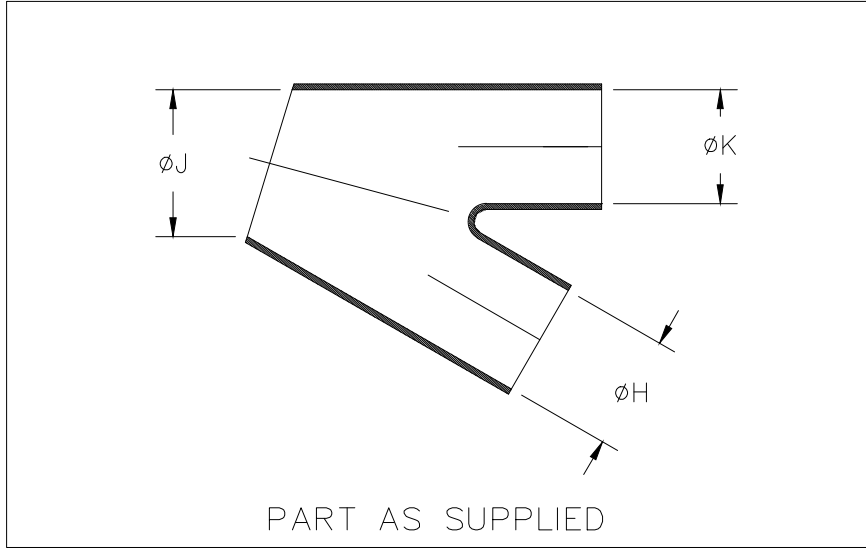





TABLE OF DIMENSIONS						
PART NUMBER	H, J & K		P	R	W	C°
	Min	Max	$\pm 10\%$	$\pm 10\%$	$\pm 30\%$	$\pm 5^\circ$
	a	b	b	b	b	b
301A034-25-G02	$\frac{32.0}{[1.26]}$	$\frac{13.5}{[.53]}$	$\frac{120}{[4.73]}$	$\frac{60.0}{[2.36]}$	$\frac{2.3}{[.09]}$	90°

RELEASED FOR PUBLICATION

ALL RIGHTS RESERVED.

TE Connectivity Ltd.

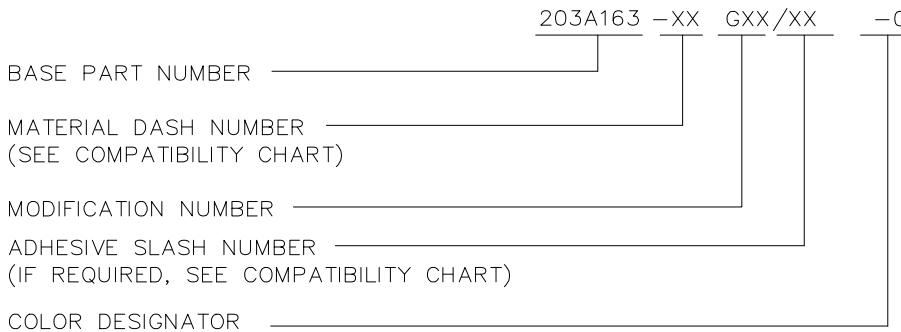
THIS DRAWING IS UNPUBLISHED.

DIMENSIONS: mm [INCHES]	DWN PRAVEEN N T	05FEB2019	MATERIAL SEE SHEET 2	FINISH -
	CHK N NAGAR	05FEB2019	 TE Connectivity Ltd.	
TOLERANCES UNLESS OTHERWISE SPECIFIED:	APVD M TAYLOR	05FEB2019		
0 PLC $\pm -$	PRODUCT SPEC	-	NAME TRANSITION, T ANGLE EXPANDED	
1 PLC $\pm -$	APPLICATION SPEC	-	SIZE	CAGE CODE
2 PLC $\pm -$	WEIGHT	-	A4	00779
3 PLC $\pm -$			DRAWING NO 301A034-25-G02-0	
4 PLC $\pm -$			RESTRICTED TO	
ANGLES $\pm -$			-	
	CUSTOMER DRAWING		SCALE	DNS
			SHEET	1 OF 2
			REV	2

REVISIONS				
P	LTR	DESCRIPTION	DATE	APVD
-	-	SEE SHEET 1	-	-

COMPATIBILITY CHART				
MATERIAL DASH NO.	MATERIAL DESCRIPTION	RT SPEC	COATING SLASH NO.	COATING SPEC
-3	POLYOLEFIN, SEMI-RIGID	RT-301	/42;/86;/180	S1017;S1048;S1030
-4	POLYOLEFIN, FLEXIBLE	RT-1304	/42;/86;/180	S1017;S1048;S1030
-25	ELASTOMER, FLUID RESISTANT	RW-2070	/42;/86;/225	S1017;S1048;S1206

ORDERING INFORMATION




NOTES

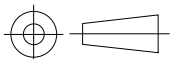
- 1) AS SUPPLIED DIMENSIONS ARE FOR UNCOATED PARTS, WHEN COATING IS ADDED ENTRY DIAMETERS WILL REDUCE BY 1.5MM[.06] MAX.

RELEASED FOR PUBLICATION

ALL RIGHTS RESERVED.

© COPYRIGHT - TE Connectivity Ltd.

DIMENSIONS: mm [INCHES]	DWN PRAVEEN N T	05FEB2019	MATERIAL	-	FINISH	-
	CHK N NAGAR	05FEB2019	 TE Connectivity Ltd.			
TOLERANCES UNLESS OTHERWISE SPECIFIED:	APVD M TAYLOR	05FEB2019				
0 PLC ± -	PRODUCT SPEC	-	NAME TRANSITION, T ANGLE EXPANDED			
1 PLC ± -	APPLICATION SPEC	-	SIZE	CAGE CODE	DRAWING NO	RESTRICTED TO
2 PLC ± -			A4	00779	C-301A034-25-G02-0	-
3 PLC ± -	WEIGHT	-	CUSTOMER DRAWING			
4 PLC ± -			SCALE	DNS	SHEET	2 OF 2
ANGLES ± -					REV	2



X-ON Electronics

Largest Supplier of Electrical and Electronic Components

Click to view similar products for [Heat Shrink Cable Boots & End Caps](#) category:

Click to view products by [TE Connectivity](#) manufacturer:

Other Similar products are found below :

[577159N001](#) [007758-000](#) [610368N003](#) [618803-000](#) [645494-000](#) [M85049/141-02HU](#) [M85049/141-03HU](#) [M85049/141-04HU](#) [687025-000](#)
[705331-000](#) [718446-000](#) [725666N001](#) [729257-000](#) [F21914-000](#) [F27131-000](#) [F85868-000](#) [770-006A103R](#) [770-006A304W1](#) [770-](#)
[006A305W1](#) [770-006A308W1](#) [770-011T303W1](#) [770-011T304W1](#) [770-020S702W1](#) [770-020S704W1](#) [806542N001](#) [807507-000](#) [808059-000](#)
[808296-000](#) [808362-000](#) [808828-000](#) [809125-000](#) [809130-000](#) [809218-000](#) [811218-000](#) [811288-000](#) [812014-000](#) [812047-000](#) [813166-000](#)
[813767N002](#) [814417-000](#) [819115N001](#) [819117N001](#) [823026-000](#) [823070-000](#) [825002-000](#) [841189N001](#) [861471-000](#) [866647-000](#) [937577-](#)
[000](#) [950764-000](#)