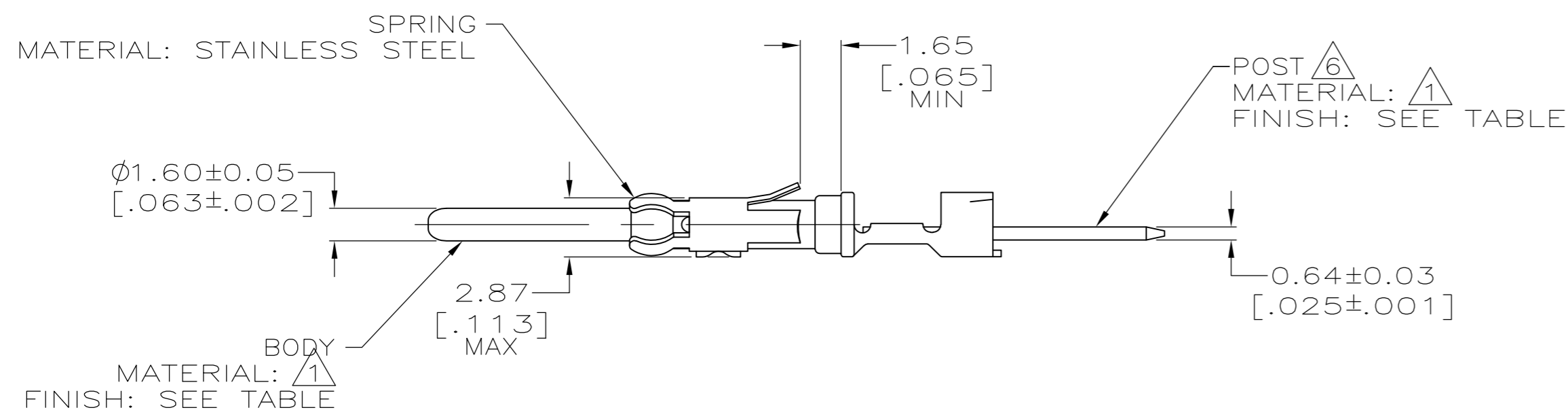
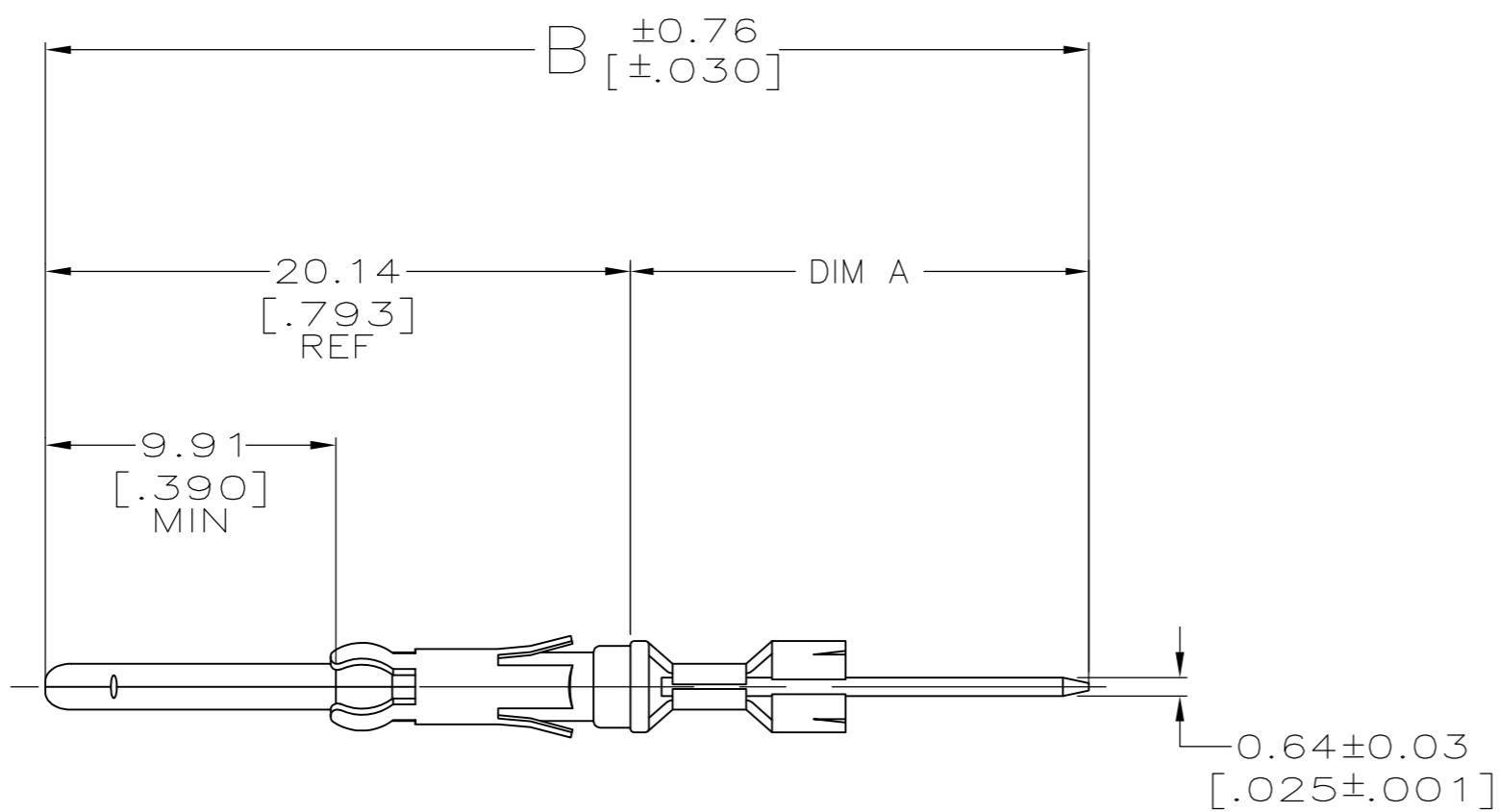


THIS DRAWING IS UNPUBLISHED. RELEASED FOR PUBLICATION
 © COPYRIGHT - By - ALL RIGHTS RESERVED.

REVISIONS					
P	LTR	DESCRIPTION	DATE	DWN	APVD
	AT1	REVISED PER ECO-16-004223	19JUL2016	NK	MZ
	AT2	REVISED PER ECO-17-008715	16JUN2017	RS	MZ



- 1 BRASS PER ASTM B-36.
- 2 2.54µm [.000100] MIN TIN-LEAD OVER 1.27µm [.000050] MIN NICKEL.
- 3 0.76µm [.000030] MIN PRECIOUS METAL PLATING CONFORMS TO THE REQUIREMENTS OF TE PRODUCT SPEC 108-10042, BASED ON EIA/ECA-364-1000.01 (CONTROLLED ENVIRONMENT APPLICATIONS), OVER 1.27µm [.000050] MIN NICKEL.
- 4 0.76µm [.000030] MIN PRECIOUS METAL PLATE ON MATING END FOR A LENGTH OF 5.08 [.200] MIN OVER 1.27µm [.000050] MIN NICKEL PLATE. GOLD FLASH ALL OVER. CONFORMS TO THE REQUIREMENTS OF TE CONNECTIVITY PRODUCT SPEC 108-10042, BASED ON EIA/ECA-364-1000.01A (CONTROLLED ENVIRONMENT APPLICATIONS).
- 5 SELECTIVELY PLATED 0.51µm [.000020] MIN GOLD, FOR A DISTANCE OF 5.08 [.200] FROM MATING END, GOLD FLASH ON REMAINDER, ALL OVER 0.76µm [.000030] MIN NICKEL.
- 6 POST WILL ACCEPT (SEE TABLE) TERMINATIONS.
- 7 POST PLATING .000100 MIN TIN OVER .000050 MIN NICKEL.
- 8 .0001000 TIN OVER .000050 NICKEL.

FINISH	BODY FINISH	NO OF TERM	B	A	PART NUMBER	
7	8	3	46.08 [1.814]	25.91 [1.020]	6-66460-6	
7	8	1	35.97 [1.416]	15.80 [.622]	6-66460-5	
7	4	3	46.08 [1.814]	25.91 [1.020]	6-66460-4	
7	4	2	41.28 [1.625]	21.11 [.831]	6-66460-3	
7	4	1	35.97 [1.416]	15.80 [.622]	6-66460-2	
OBSOLETE	2	2	SPECIAL	33.40 [1.315]	13.23 [.521]	6-66460-1
	2	3	SPECIAL	65.61 [2.583]	45.44 [1.789]	5-66460-0
	2	3	SPECIAL	57.73 [2.273]	37.57 [1.479]	4-66460-9
	2	3	SPECIAL	49.86 [1.963]	29.69 [1.169]	4-66460-8
	2	3	SPECIAL	68.60 [2.701]	48.44 [1.907]	3-66460-0
	2	3	SPECIAL	59.71 [2.351]	39.55 [1.557]	2-66460-9
	2	3	SPECIAL	50.82 [2.001]	30.66 [1.207]	2-66460-8
OBSOLETE	2	4	1	34.80 [1.370]	14.63 [.576]	2-66460-1
	2	4	-	34.77 [1.369]	14.63 [.576]	2-66460-0
	2	4	SPECIAL	52.78 [2.078]	32.61 [1.284]	1-66460-9
OBSOLETE	2	5	2	41.28 [1.625]	21.11 [.831]	1-66460-8
	2	4	2	41.28 [1.625]	21.11 [.831]	1-66460-1
	2	4	SPECIAL	33.40 [1.315]	13.23 [.521]	1-66460-0
	2	4	3	46.08 [1.814]	25.91 [1.020]	66460-9
	2	4	2	41.28 [1.625]	21.11 [.831]	66460-8
	2	4	1	35.97 [1.416]	15.80 [.622]	66460-7
OBSOLETE	2	3	3	46.08 [1.814]	25.91 [1.020]	66460-6
SUPERSEDED BY 66460-8	2	3	2	41.28 [1.625]	21.11 [.831]	66460-5
	2	3	1	35.97 [1.416]	15.80 [.622]	66460-4
	2	2	3	46.08 [1.814]	25.91 [1.020]	66460-3
	2	2	2	41.28 [1.625]	21.11 [.831]	66460-2
	2	2	1	35.97 [1.416]	15.80 [.622]	66460-1

THIS DRAWING IS A CONTROLLED DOCUMENT. DWN: C.REIFSNYDER 06 JUN 96
 CHK: R.STONE 27 JUN 96
 APVD: G.A.STEINHAUER 23 JUL 96

STE TE Connectivity

PIN CONTACT, CRIMPED, .062, .025 X .025 POSST, M SERIES

SIZE: A2 CAGE CODE: 00779 DRAWING NO: C-66460 RESTRICTED TO: -
 SCALE: 4:1 SHEET: 1 of 2 REV: AT2

CUSTOMER DRAWING

THIS DRAWING IS UNPUBLISHED. RELEASED FOR PUBLICATION
 © COPYRIGHT - By - ALL RIGHTS RESERVED.

REVISIONS					
P	LTR	DESCRIPTION	DATE	DWN	APVD
-	-	SEE SHEET 1	-	-	-

		SPECIAL	33.40 [1.315]	13.23 [.521]	6-66460-8
		2	41.28 [1.625]	21.11 [.831]	6-66460-7
POST FINISH	BODY FINISH	NO OF TERM	B	A	PART NUMBER

THIS DRAWING IS A CONTROLLED DOCUMENT.		DWN C.REIFSNYDER 06 JUN 96	TE Connectivity		
DIMENSIONS: MM [INCHES]		CHK R.STONE 27 JUN 96			
TOLERANCES UNLESS OTHERWISE SPECIFIED:		APVD G.A.STEINHAUER 23 JUL 96	NAME PIN CONTACT, CRIMPED, .062, .025 X .025 POSST, M SERIES		
 0 PLC ± - 1 PLC ± - 2 PLC ± 0.25 [.010] 3 PLC ± - 4 PLC ± - ANGLES ± -		PRODUCT SPEC -	SIZE A2	CAGE CODE 00779	DRAWING NO C-66460
MATERIAL SEE CALLOUTS		FINISH SEE CALLOUTS	WEIGHT	SCALE 4:1	SHEET 2 of 2
CUSTOMER DRAWING			RESTRICTED TO -	REV AT2	

X-ON Electronics

Largest Supplier of Electrical and Electronic Components

Click to view similar products for [Standard Circular Contacts](#) category:

Click to view products by [TE Connectivity](#) manufacturer:

Other Similar products are found below :

[RC16M23J](#) [133780-1](#) [RM20M13D28](#) [RM24M9D28](#) [RMMX110-1D28](#) [MS3474W10-6P L/C](#) [ELVP16100E](#) [164-901-CD](#) [EN3545007SCE](#)
[BV002BSQ20049CZ](#) [BV002SSQ160404CZ](#) [1900ND05S1B00B](#) [192900-0718](#) [166566-1](#) [1900ND04S1X00D](#) [ST-JL05-16S-C3-100](#) [ST-JL05-20S-C1-100](#) [ST-JL05-20S-C2-100](#) [T01-CRIMP-S03](#) [APK-SA16A07-002](#) [27963-15T12](#) [CONT-JL05-08S-C2-10](#) [CONT-JL05-12S-C1-10](#)
[RC16M-23T](#) [RFD26L-1D28](#) [BV002ASJ16049CW](#) [JN1-22-20S-R-PKG100](#) [031-50213](#) [031-50565](#) [031-50794](#) [SJS861301M](#) [ST-JL05-16S-C1-100](#) [ST-JL05-20P-C1-100](#) [82911466K](#) [192991-0087](#) [192900-0570](#) [44-100-1414P-1000-101](#) [T3P16FC3LZ](#) [ST-JL05-16S-C2-3500](#) [ZP-4016-10NF](#) [CONT-JL05-12P-C1-10](#) [RM20M12G8D28](#) [031-50676](#) [12115010110](#) [RJFTVC2MG](#) [CAP-DACMDPC2](#) [031-50675-002](#) [CAP-DD1FDPC2](#) [CAP-DACMDPC1](#) [031-50966-010](#)