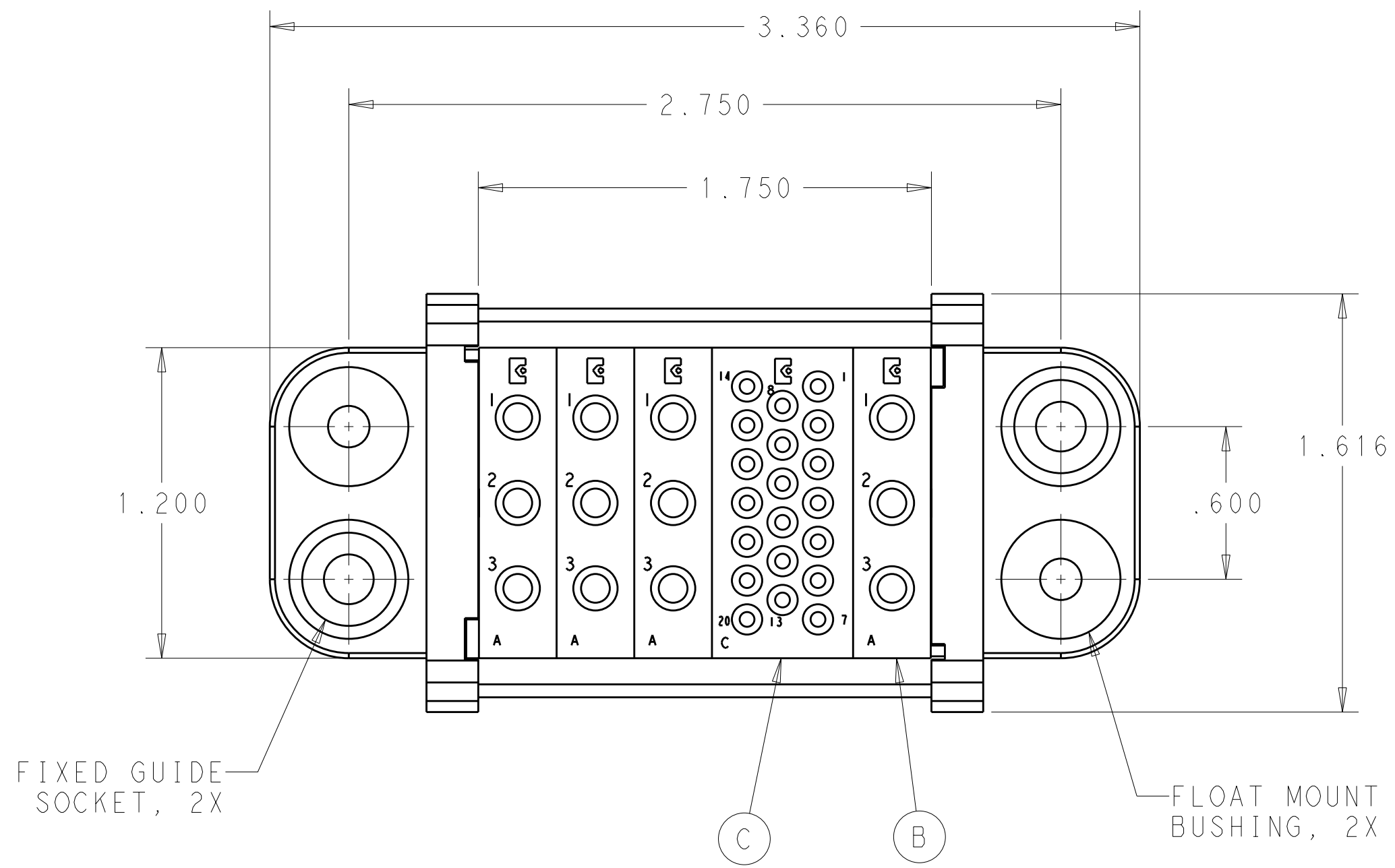


THIS DRAWING IS UNPUBLISHED. RELEASED FOR PUBLICATION 20  
 © COPYRIGHT 20 TE ALL RIGHTS RESERVED.

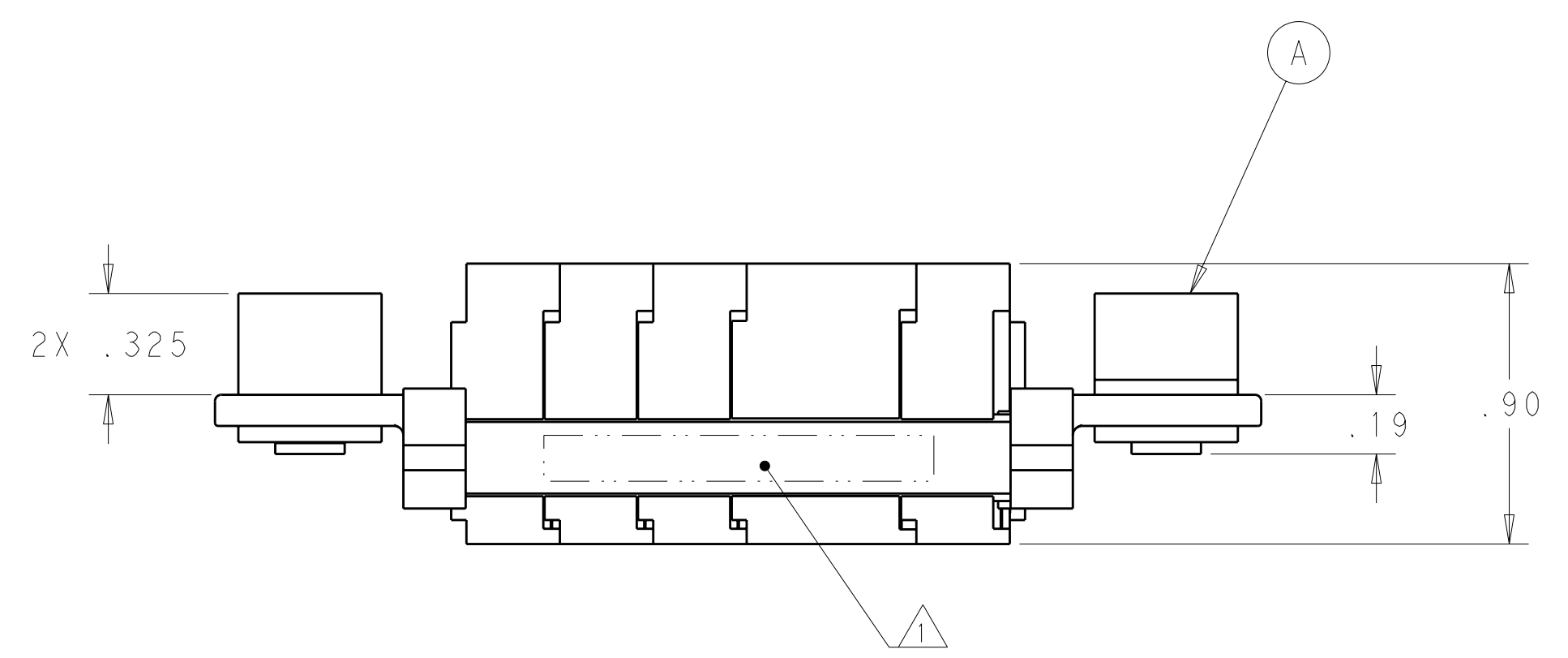
LOC	DIST	REVISIONS					
GP	00	P	LTR	DESCRIPTION	DATE	DWN	APVD
			A	RELEASED	26AUG2011	RG	DO



1 ITEMS PROVIDED TO THIS SPECIFICATION TO BE PERMANENTLY IDENTIFIED PER THE FOLLOWING IDENTIFIER:

TE PART NUMBER AND MANUFACTURING DATE CODE

2 MOUNTING FLANGE BUSHING ACCEPTS 6/32 SCREW (Ø.156 CLEARANCE HOLE, FLOAT MOUNT) OR 8/32 SCREW (Ø.173 CLEARANCE HOLE, FIXED MOUNT) USER SUPPLIED.



1	1648468-1	MODULE "C"	C
4	1648466-1	MODULE "A"	B
2	6648254-1	END CAP, GUIDE SOCKET, FLOAT	A
-1	PART NO.	DESCRIPTION	ITEM

THIS DRAWING IS A CONTROLLED DOCUMENT.		DWN R. GRZYBOWSKI 26AUG2011	TE Connectivity	
DIMENSIONS: INCHES		CHK D. ORRIS 26AUG2011		
TOLERANCES UNLESS OTHERWISE SPECIFIED:		APVD D. ORRIS 26AUG2011	NAME SOCKET CONNECTOR ASSEMBLY W/ PANEL CUT-OUT DOMINO	
0 PLC ± 1 PLC ± 2 PLC ±.02 3 PLC ±.010 4 PLC ± ANGLES ± FINISH ±		PRODUCT SPEC -	SIZE A200779	DRAWING NO. C-6646137
MATERIAL -		APPLICATION SPEC -	RESTRICTED TO -	SCALE 2:1
CUSTOMER DRAWING		WEIGHT -	SHEET 1	OF 2
			REV A	

**ELCON DOMINO**

4

3

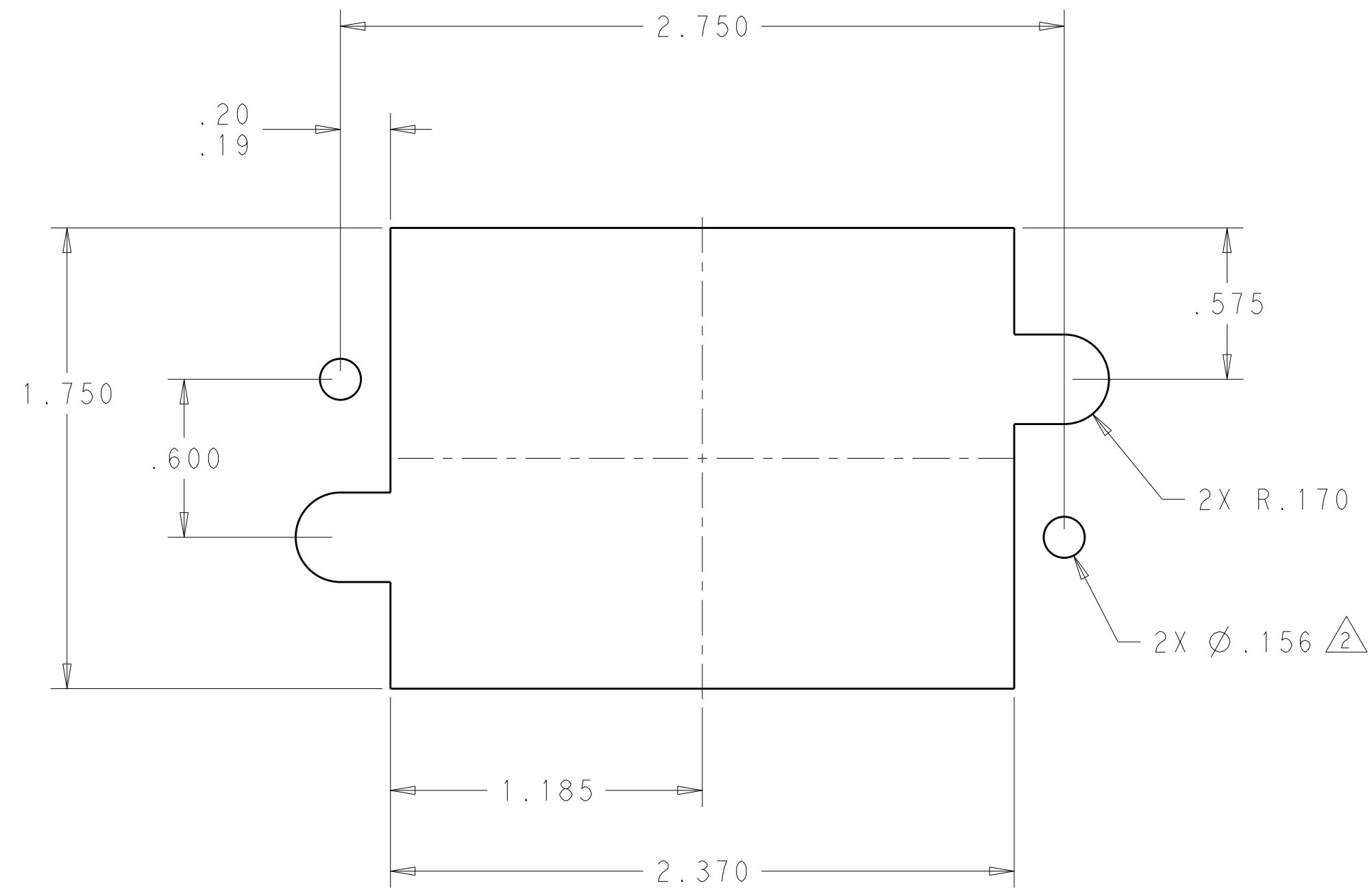
2

1

THIS DRAWING IS UNPUBLISHED.      RELEASED FOR PUBLICATION      20


© COPYRIGHT 20      TE      ALL RIGHTS RESERVED.

LOC	DIST	REVISIONS			
P	LTR	DESCRIPTION	DATE	DWN	APVD
GP	00	-	SEE SHEET 1	-	-



SOCKET PANEL MOUNT CUT-OUT

**ELCON** **DOMINO**

THIS DRAWING IS A CONTROLLED DOCUMENT.		DWN R. GRZYBOWSKI 26AUG2011	 <b>TE Connectivity</b>	
DIMENSIONS: INCHES		CHK D. ORRIS 26AUG2011		
TOLERANCES UNLESS OTHERWISE SPECIFIED:		APVD D. ORRIS 26AUG2011	NAME SOCKET CONNECTOR ASSEMBLY W/ PANEL CUT-OUT DOMINO	
0 PLC ± 1 PLC ± 2 PLC ±.02 3 PLC ±.010 4 PLC ± ANGLES ± FINISH		PRODUCT SPEC -	SIZE A200779	DRAWING NO C-6646137
MATERIAL -		APPLICATION SPEC -	RESTRICTED TO -	SCALE 2:1
-		WEIGHT -	SHEET 2	OF 2
-		CUSTOMER DRAWING	REV A	

## X-ON Electronics

Largest Supplier of Electrical and Electronic Components

*Click to view similar products for [Heavy Duty Power Connectors](#) category:*

*Click to view products by [TE Connectivity](#) manufacturer:*

Other Similar products are found below :

[1424439](#) [1424438](#) [09330062652](#) [2-8675P1](#) [580129-2](#) [605601-1](#) [6340G1](#) [6341G1](#) [6360G1](#) [6373G1](#) [6374g2](#) [6396G1](#) [647757-1](#) [66394-4](#)  
[6643411-1](#) [6646058-2](#) [6646137-1](#) [6646138-1](#) [6646348-1](#) [6646479-1](#) [6646608-1](#) [6646786-1](#) [6646940-1](#) [6651091-1](#) [6651525-1](#) [6651529-1](#)  
[6651778-1](#) [6651788-1](#) [696465-1](#) [696475-1](#) [73000005059](#) [73000005349](#) [73000005642](#) [73080255059](#) [73080965046](#) [765-15-0080A](#)  
[765-16-0080B](#) [789.700-44](#) [789.700-54](#) [80-1010](#) [80-9](#) [827381-1](#) [829992-1](#) [902-77-02113](#) [PL00U-301-10D10](#) [PM103MOOLOO](#)  
[PM16S1620S32-50](#) [PM212MOOLOO](#) [PM309FOOLOO](#) [PM324FOOLCH](#)