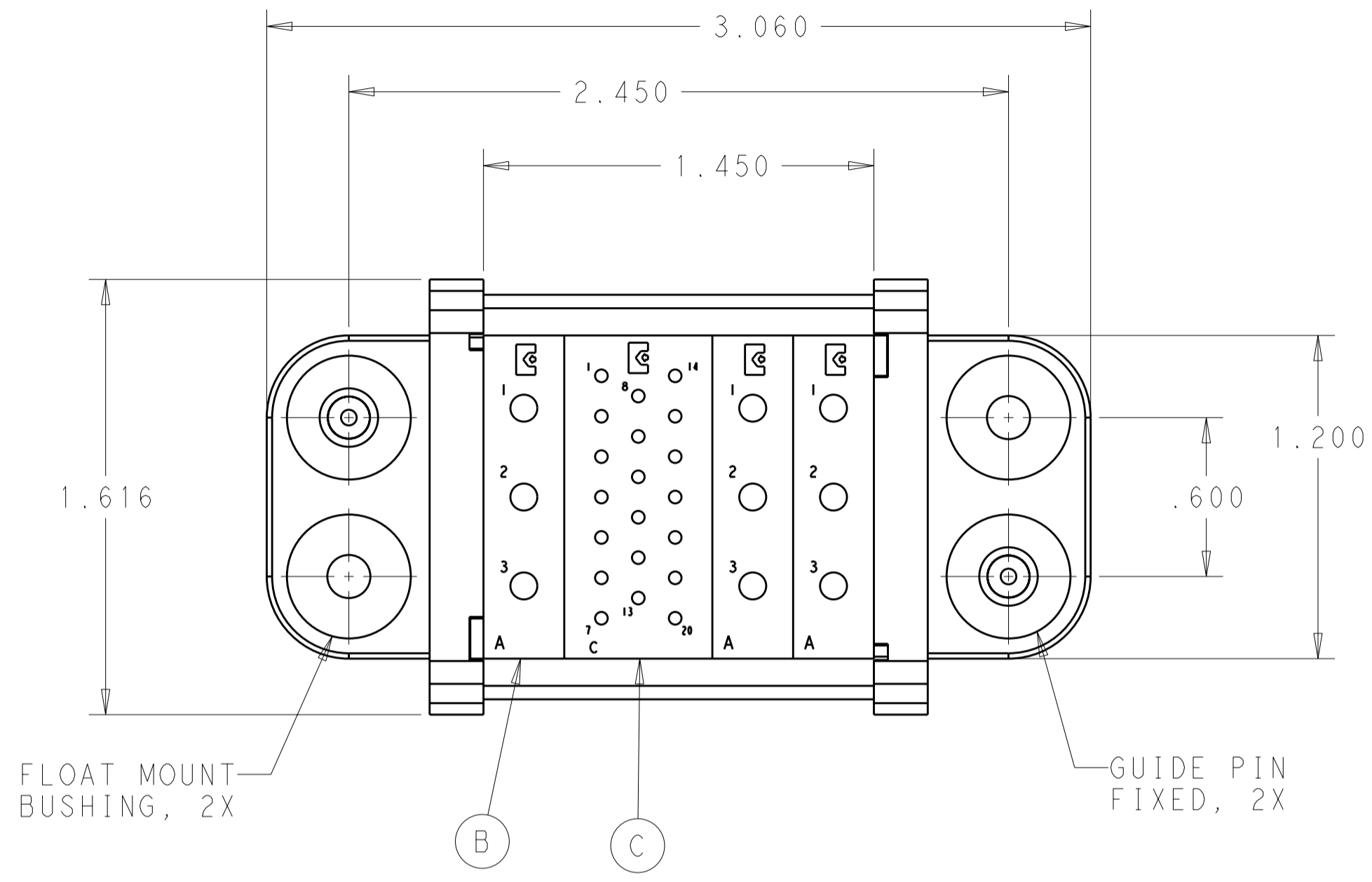
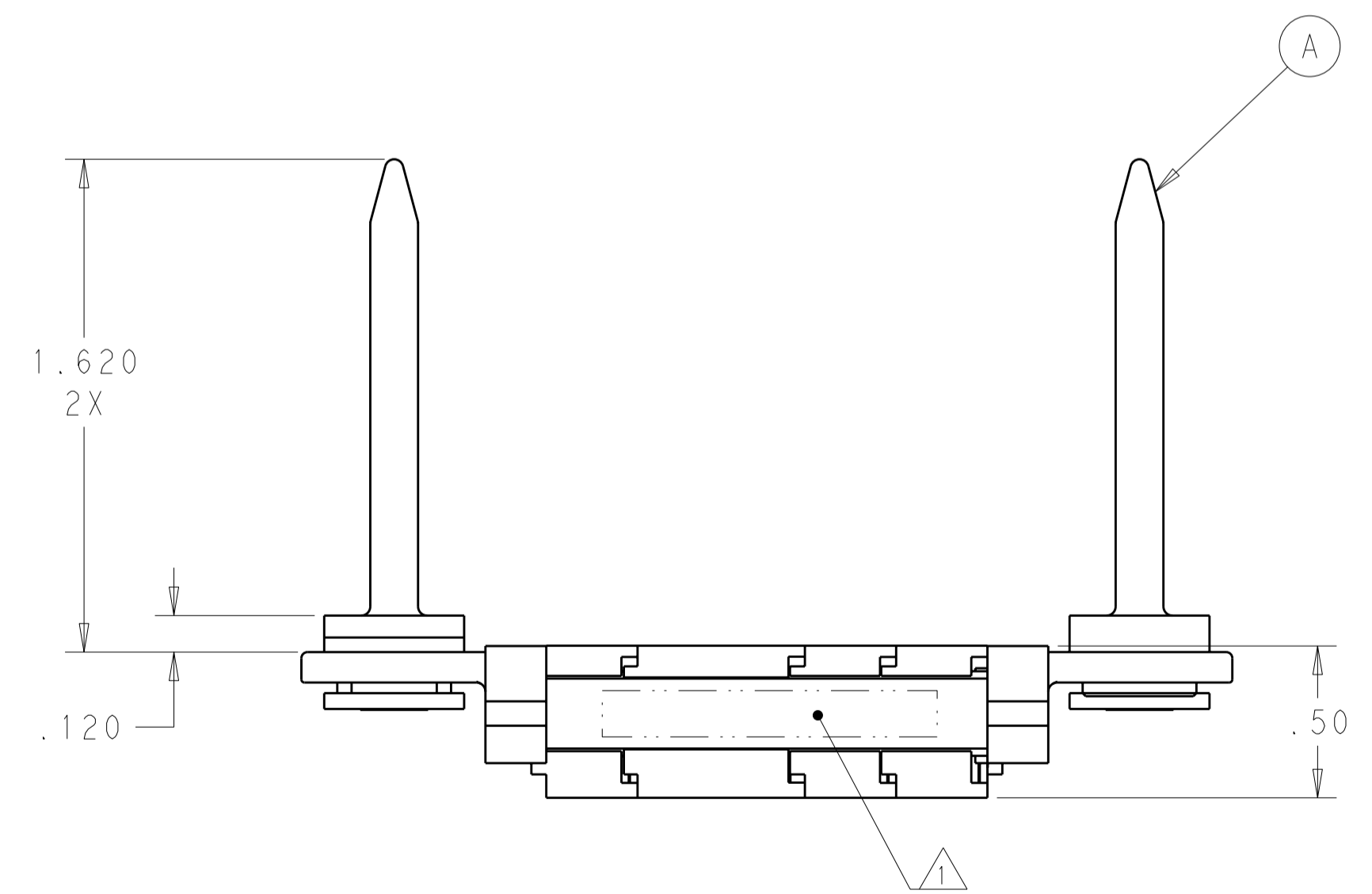


THIS DRAWING IS UNPUBLISHED. RELEASED FOR PUBLICATION 20
 © COPYRIGHT 20 TE ALL RIGHTS RESERVED.

LOC	DIST	REVISIONS					
GP	00	P	LTR	DESCRIPTION	DATE	DWN	APVD
			A	RELEASED	17AUG2011	RG	DO



- 1 ITEMS PROVIDED TO THIS SPECIFICATION TO BE PERMANENTLY IDENTIFIED PER THE FOLLOWING IDENTIFIER:
 TE PART NUMBER AND MANUFACTURING DATE CODE
- 2 MOUNTING FLANGE BUSHING ACCEPTS 6/32 SCREW (Ø .156 CLEARANCE HOLE, FLOAT MOUNT) OR 8/32 SCREW (Ø .173 CLEARANCE HOLE, FIXED MOUNT) USER SUPPLIED.



1	1648463-1	MODULE "C"	C
3	1648461-1	MODULE "A"	B
2	6648253-1	END CAP, GUIDE PIN, FLOAT	A
-1	PART NO.	DESCRIPTION	ITEM

THIS DRAWING IS A CONTROLLED DOCUMENT.		DWN R. GRZYBOWSKI 17AUG2011	TE Connectivity	
DIMENSIONS: INCHES		CHK D. ORRIS 17AUG2011		
TOLERANCES UNLESS OTHERWISE SPECIFIED:		APVD D. ORRIS 17AUG2011	NAME PIN CONNECTOR ASSEMBLY W/ PANEL CUT-OUT DOMINO	
0 PLC ± 1 PLC ± 2 PLC ±.02 3 PLC ±.010 4 PLC ± ANGLES ± FINISH		PRODUCT SPEC -	SIZE A200779	DRAWING NO. C-6646138
MATERIAL -		APPLICATION SPEC -	RESTRICTED TO -	SCALE 2:1
		WEIGHT -	SHEET 1 OF 2	
		CUSTOMER DRAWING	REV A	

ELCON DOMINO

4

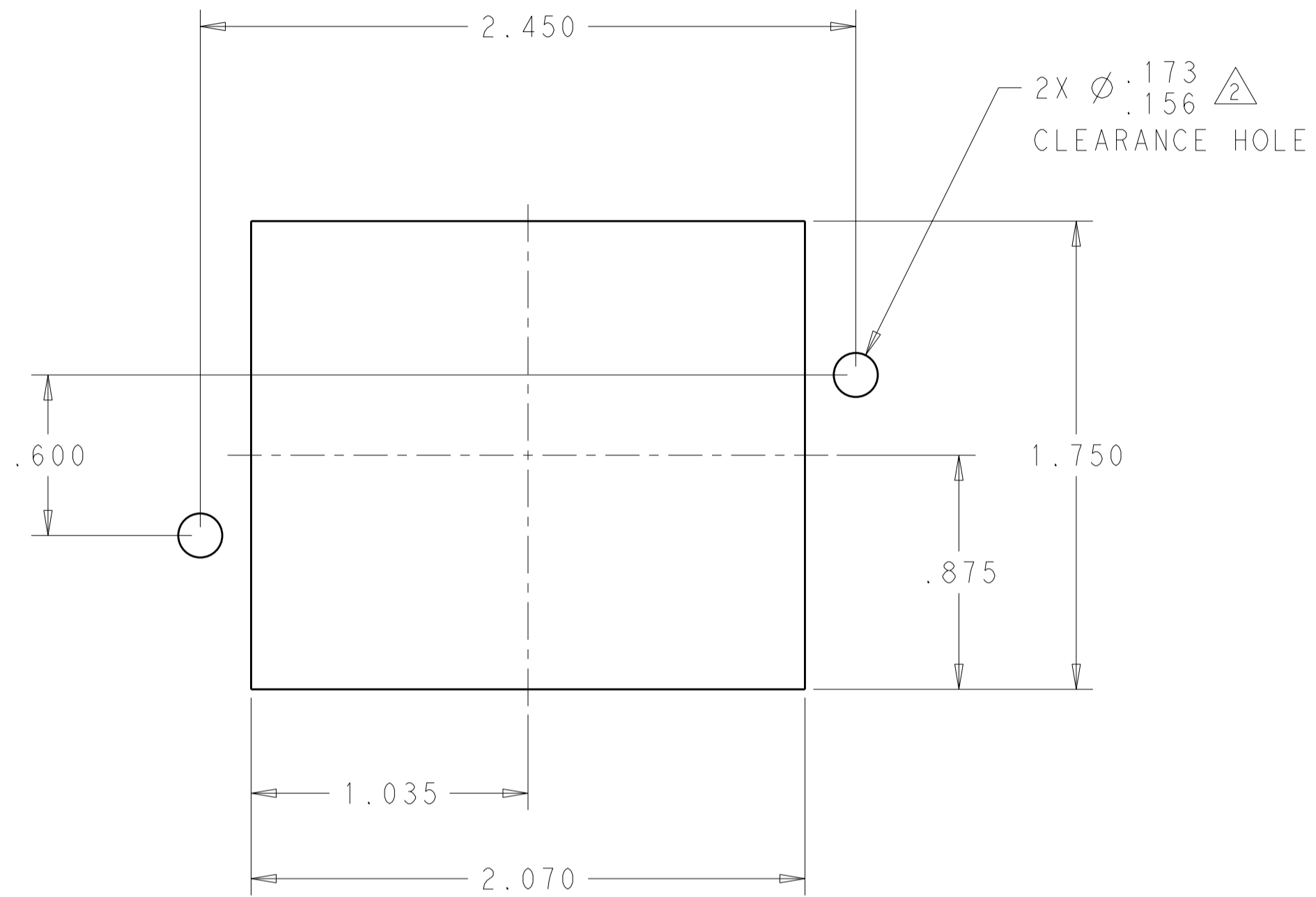
3

2

1


THIS DRAWING IS UNPUBLISHED. RELEASED FOR PUBLICATION 20
 © COPYRIGHT 20 TE ALL RIGHTS RESERVED.

LOC	DIST	REVISIONS			
P	LTR	DESCRIPTION	DATE	DWN	APVD
GP	00	-	SEE SHEET 1	-	-



PIN CONNECTOR PANEL CUT-OUT

ELCON DOMINO

THIS DRAWING IS A CONTROLLED DOCUMENT.		DWN R. GRZYBOWSKI 17AUG2011	 TE Connectivity	
DIMENSIONS: INCHES		CHK D. ORRIS 17AUG2011		
TOLERANCES UNLESS OTHERWISE SPECIFIED:		APVD D. ORRIS 17AUG2011	NAME PIN CONNECTOR ASSEMBLY W/ PANEL CUT-OUT DOMINO	
0 PLC ± 1 PLC ± 2 PLC ±.02 3 PLC ±.010 4 PLC ± ANGLES ± FINISH ±		PRODUCT SPEC -	RESTRICTED TO -	
MATERIAL -		APPLICATION SPEC -	SIZE A200779	DRAWING NO. C-6646138
		WEIGHT -	SCALE 2:1 SHEET 2 OF 2 REV A	
		CUSTOMER DRAWING		

X-ON Electronics

Largest Supplier of Electrical and Electronic Components

Click to view similar products for [Heavy Duty Power Connectors](#) category:

Click to view products by [TE Connectivity](#) manufacturer:

Other Similar products are found below :

[1424439](#) [1424438](#) [09330062652](#) [2-8675P1](#) [580129-2](#) [605601-1](#) [6340G1](#) [6341G1](#) [6360G1](#) [6373G1](#) [6374g2](#) [6396G1](#) [647757-1](#) [66394-4](#)
[6643411-1](#) [6646058-2](#) [6646137-1](#) [6646138-1](#) [6646348-1](#) [6646479-1](#) [6646608-1](#) [6646786-1](#) [6646940-1](#) [6651091-1](#) [6651525-1](#) [6651529-1](#)
[6651778-1](#) [6651788-1](#) [696465-1](#) [696475-1](#) [73000005059](#) [73000005349](#) [73000005642](#) [73080255059](#) [73080965046](#) [765-15-0080A](#)
[765-16-0080B](#) [789.700-44](#) [789.700-54](#) [80-1010](#) [80-9](#) [827381-1](#) [829992-1](#) [902-77-02113](#) [PL00U-301-10D10](#) [PM103MOOLOO](#)
[PM16S1620S32-50](#) [PM212MOOLOO](#) [PM309FOOLOO](#) [PM324FOOLCH](#)