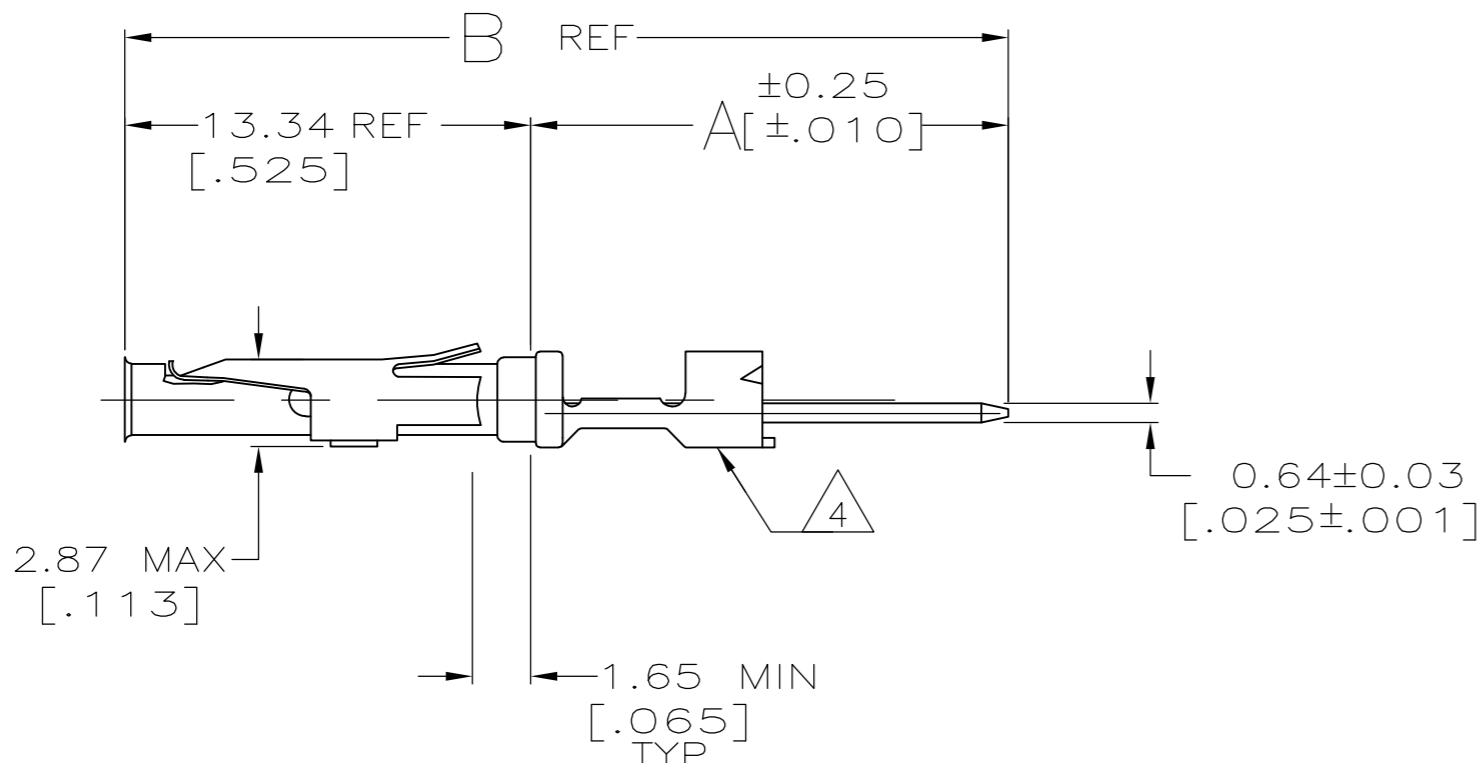
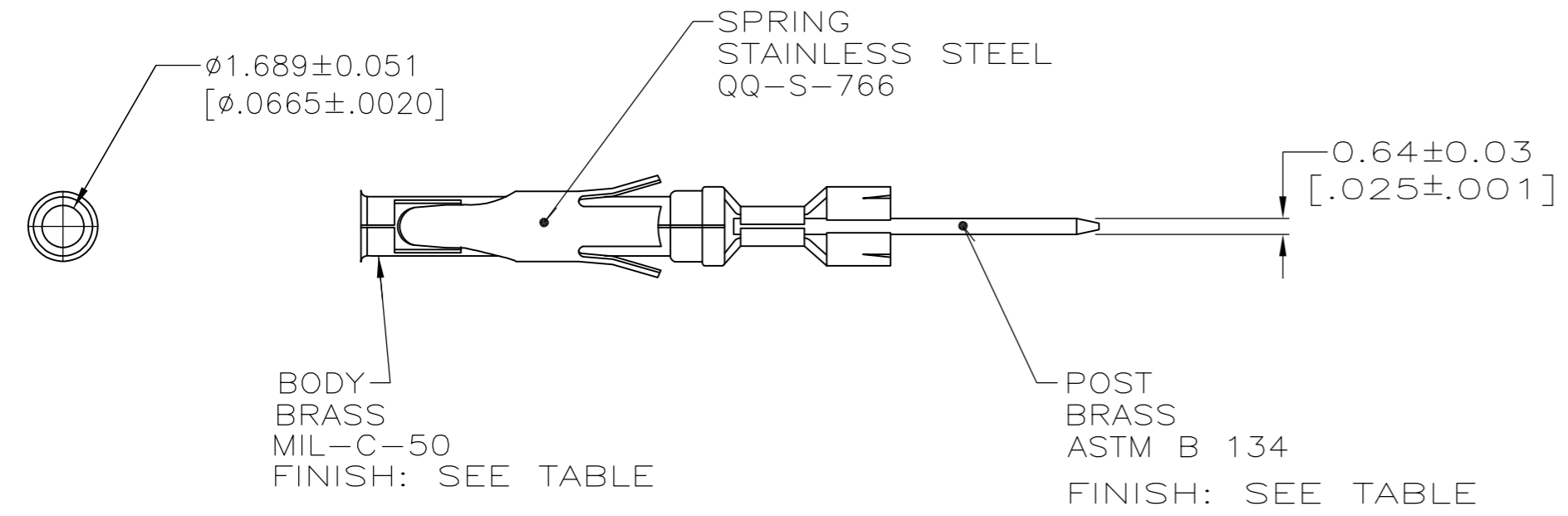


THIS DRAWING IS UNPUBLISHED. RELEASED FOR PUBLICATION
 © COPYRIGHT - By - ALL RIGHTS RESERVED.

REVISIONS					
P	LTR	DESCRIPTION	DATE	DWN	APVD
AV6		REVISED PER ECO-16-004223	19JUL2016	NK	MZ
AW		REVISED PER ECO-16-017462	08MAR2017	RS	MZ



- 1 2.54um [.000100] MIN TIN-LEAD PER MIL-T-10727 OVER
1.27um [.000050] MIN NICKEL PER QQ-N-290.
- 2 2.76um [.000030] MIN GOLD PER MIL-G-45204 ON MATING END FOR
A LENGTH OF 5.08 [.200] MIN WITH A UNIFORM GRADIENT TO 0.25um
[.000010] MIN GOLD PER MIL-G-45204 ON THE REMAINDER OVER
1.27um [.000050] MIN NICKEL PER QQ-N-290.
- 3 2.54um [.000100] MIN TIN-LEAD PER MIL-T-10727 OVER
1.27um [.000050] MIN NICKEL PER QQ-N-290.
- 4 GOLD PLATING NEED NOT APPEAR ON WIRE BARREL.
- 5 0.76um [.000030] MIN GOLD PER MIL-G-45204 ON MATING END FOR
A LENGTH OF 5.08 [.200] MIN, GOLD FLASH ON THE REMAINDER OVER
1.27um [.000050] MIN NICKEL PER QQ-N-290.
- 6 .000100 MIN TIN PER MIL-T-10727, OVER
.000050 MIN NICKEL PER QQ-N-290.
- 7 .000030 MIN GOLD PER MIL-G-45204, OVER
.000050 MIN NICKEL PER QQ-N-290.
- 8 OBSOLETE PARTS: OBSOLETE CIS STREAMLINING PER D.RENAUD/D.SINISI

	PRELIMINARY	34.44 [1.356]	21.11 [.831]	2	7	6	5-66461-7
		29.13 [1.147]	15.80 [.622]	1	6	2	5-66461-6
		29.13 [1.147]	15.80 [.622]	1	6	5	5-66461-5
		29.13 [1.147]	15.80 [.622]	1	6	6	5-66461-4
	PRELIMINARY	34.44 [1.356]	21.11 [.831]	2	3	1	5-66461-3
	OBSOLETE	49.40 [1.945]	36.07 [1.420]	SPECIAL	3	5	5-66461-1
8	OBSOLETE	30.68 [1.208]	17.35 [.683]	SPECIAL	3	1	2-66461-2
8	SUPERSEDED	34.44 [1.356]	21.11 [.831]	2	3	1	2-66461-1
	OBSOLETE	41.48 [1.633]	28.14 [1.108]	SPECIAL	3	5	2-66461-0
		30.68 [1.208]	17.35 [.683]	SPECIAL	3	1	1-66461-9
	OBSOLETE	29.64 [1.167]	16.31 [.642]	SPECIAL	3	5	1-66461-8
	OBSOLETE	27.97 [1.101]	14.63 [.576]	SPECIAL	3	5	1-66461-7
	OBSOLETE	25.68 [1.011]	12.34 [.486]	SPECIAL	3	5	1-66461-3
		43.46 [1.711]	30.12 [1.186]	SPECIAL	3	5	1-66461-0
		39.24 [1.545]	25.91 [1.020]	3	3	5	66461-9
		34.44 [1.356]	21.11 [.831]	2	3	5	66461-8
		29.13 [1.147]	15.80 [.622]	1	3	5	66461-7
		39.24 [1.545]	25.91 [1.020]	3	3	2	66461-6
		34.44 [1.356]	21.11 [.831]	2	3	2	66461-5
		29.13 [1.147]	15.80 [.622]	1	3	2	66461-4
		39.24 [1.545]	25.91 [1.020]	3	3	1	66461-3
		34.44 [1.356]	21.11 [.831]	2	3	1	66461-2
		29.13 [1.147]	15.80 [.622]	1	3	1	66461-1
		B	A	NO OF TERM	POST FINISH	BODY FINISH	PART NUMBER

THIS DRAWING IS A CONTROLLED DOCUMENT. DWN 07/02/92
 C.OBERMAN
 CHK 7-8-92
 R.STONE
 APVD 7-10-92
 C.OBERMANN
 PRODUCT SPEC

DIMENSIONS: INCHES
 TOLERANCES UNLESS OTHERWISE SPECIFIED:
 0 PLC ± -
 1 PLC ± -
 2 PLC ± 0.13 [.005]
 3 PLC ± -
 4 PLC ± -
 ANGLES ± -
 FINISH SEE CALLOUT

MATERIAL SEE CALLOUT

NAME: SOCKET CONTACT, CRIMPED
 .062 DIA, .025 X .025 POST,
 AUTOWIRE

SIZE: A2
 CAGE CODE: 00779
 DRAWING NO: 66461
 RESTRICTED TO: -

WEIGHT: -
 CUSTOMER DRAWING
 SCALE: 4:1
 SHEET: 1 of 2
 REV: AW

TE Connectivity

THIS DRAWING IS UNPUBLISHED. RELEASED FOR PUBLICATION
 © COPYRIGHT - By - ALL RIGHTS RESERVED.

REVISIONS					
P	LTR	DESCRIPTION	DATE	DWN	APVD
-	-	SEE SHEET 1	-	-	-
-	-	SEE TABLE 1	-	-	-

	B	A	NO OF TERM	POST FINISH	BODY FINISH	PART NUMBER
				△6	△5	9-66461-9
				△6	△6	7-66461-0
△8	OBSOLETE			△6	△6	6-66461-5
				△6	△5	6-66461-4
				△6	△5	6-66461-3
				△6	△5	6-66461-2
△8	OBSOLETE			△6	△2	6-66461-1
				△6	△2	6-66461-0
				△6	△6	5-66461-9
				△6	△6	5-66461-8

THIS DRAWING IS A CONTROLLED DOCUMENT.		DWN C.OBERMAN 07/02/92	STE TE Connectivity														
DIMENSIONS: INCHES		CHK R.STONE 7-8-92															
TOLERANCES UNLESS OTHERWISE SPECIFIED:		APVD C.OBERMANN 7-10-92	NAME SOCKET CONTACT, CRIMPED .062 DIA, .025 X .025 POST, AUTOWIRE														
<table border="1"> <tr><td>0 PLC</td><td>± -</td></tr> <tr><td>1 PLC</td><td>± -</td></tr> <tr><td>2 PLC</td><td>± 0.13 [.005]</td></tr> <tr><td>3 PLC</td><td>± -</td></tr> <tr><td>4 PLC</td><td>± -</td></tr> <tr><td>ANGLES</td><td>± -</td></tr> </table>		0 PLC	± -	1 PLC	± -	2 PLC	± 0.13 [.005]	3 PLC	± -	4 PLC	± -	ANGLES	± -	PRODUCT SPEC -	SIZE A2	CAGE CODE 00779	DRAWING NO C-66461
0 PLC	± -																
1 PLC	± -																
2 PLC	± 0.13 [.005]																
3 PLC	± -																
4 PLC	± -																
ANGLES	± -																
MATERIAL SEE CALLOUT		FINISH SEE CALLOUT	WEIGHT -	SCALE 4:1	SHEET 2 of 2												
CUSTOMER DRAWING			RESTRICTED TO -	REV AW													

X-ON Electronics

Largest Supplier of Electrical and Electronic Components

Click to view similar products for [Standard Circular Contacts](#) category:

Click to view products by [TE Connectivity](#) manufacturer:

Other Similar products are found below :

[RC16M23J](#) [133780-1](#) [RM20M13D28](#) [RM24M9D28](#) [RMMX110-1D28](#) [MS3474W10-6P L/C](#) [ELFH02211](#) [ELVP16100E](#) [164-901-CD](#)
[EN3545007SCE](#) [BV002BSQ20049CZ](#) [BV002SSQ160404CZ](#) [1900ND05S1B00B](#) [166566-1](#) [1900ND04S1X00D](#) [ST-JL05-16S-C3-100](#) [ST-JL05-20S-C1-100](#) [ST-JL05-20S-C2-100](#) [T01-CRIMP-S03](#) [APK-SA16A07-002](#) [27963-15T12](#) [CONT-JL05-08S-C2-10](#) [CONT-JL05-12S-C1-10](#) [RC16M-23T](#) [RFD26L-1D28](#) [BV002ASJ16049CW](#) [JN1-22-20S-R-PKG100](#) [031-50213](#) [031-50565](#) [031-50794](#) [SJS861301M](#) [ST-JL05-16S-C1-100](#) [ST-JL05-20P-C1-100](#) [82911466K](#) [192991-0087](#) [192900-0570](#) [44-100-1414P-1000-101](#) [T3P16FC3LZ](#) [ST-JL05-16S-C2-3500](#)
[ZP-4016-10NF](#) [CONT-JL05-12P-C1-10](#) [RM20M12G8D28](#) [031-50676](#) [12115010110](#) [RJFTVC2MG](#) [CAP-DACMDPC2](#) [031-50675-002](#)
[CAP-DD1FDPC2](#) [CAP-DACMDPC1](#) [031-50966-010](#)