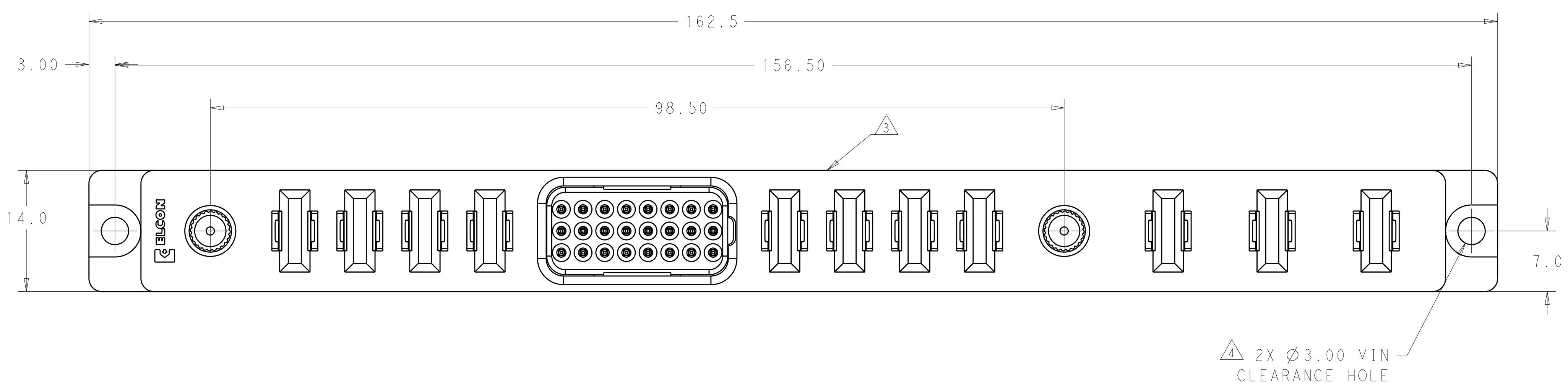
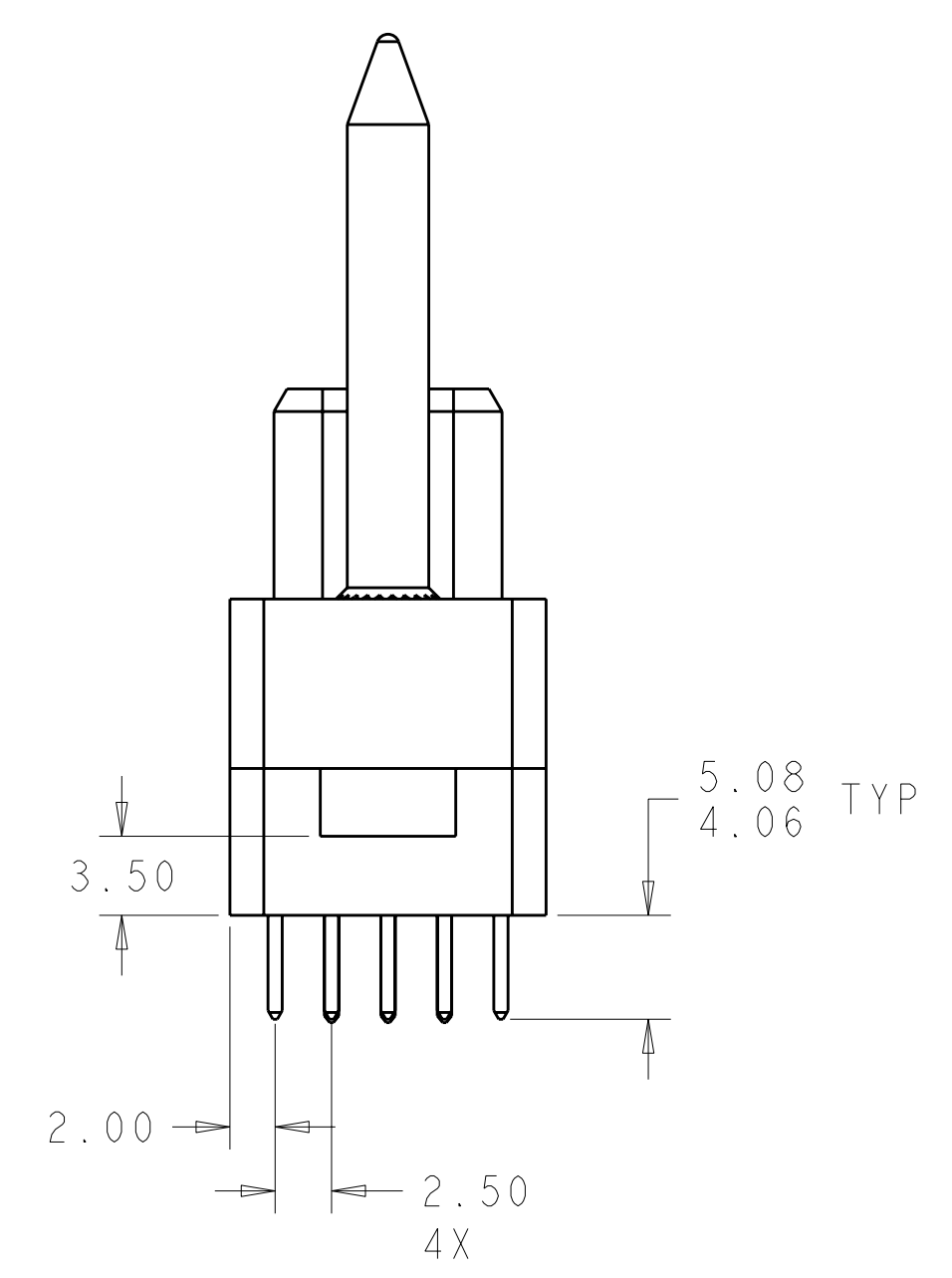
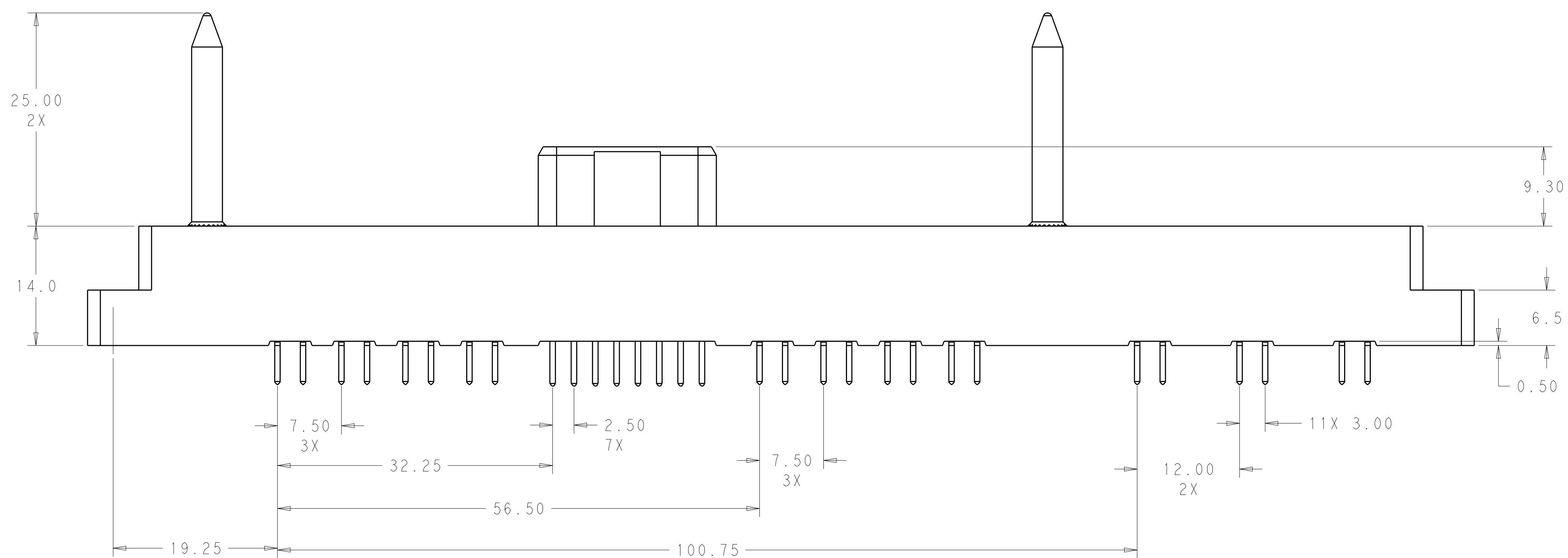


LOC	DIST	REV	DATE	BY	CHK	APPV
GP	00	A	12NOV2010	RG	NE	



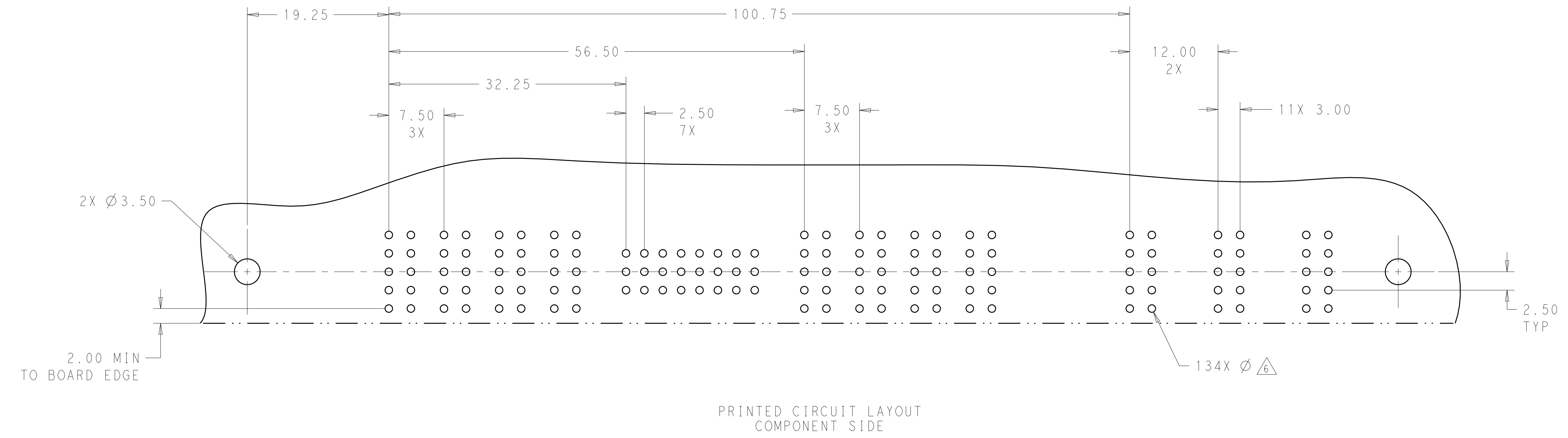
- △ MATERIAL: INSULATORS - THERMOPLASTIC, GLASS REINFORCED, COLOR: BLACK, UL94V-0 FLAMMABILITY RATED.
 SIGNAL CONTACTS - PHOSPHOR BRONZE
 GUIDE POST - BRASS ALLOY
- △ FINISH: CONTACTS - GOLD PLATE .76µm MIN. THK. OVER
 NICKEL 1.27µm MIN. THK.
 SOLDER TAILS - TIN 3.05 MIN. THK. OVER
 NICKEL 1.27µm MIN THK.
 GUIDE POST - NICKEL PLATE 1.27µm MIN. THK.
- △ ITEMS PROVIDED TO THIS SPECIFICATION TO BE PERMANENTLY IDENTIFIED PER THE FOLLOWING IDENTIFIER LABEL
- YEAR 1 WEEK
- TYCO ELECTRONICS P/N DATE CODE (e.g. 0106)
 XXXXXXXX-X XXXX
- △ MOUNTING FLANGES ACCEPT M3 OR #4-40 SCREWS (USER SUPPLIED)



6646403-1
 PART NUMBER

DIMENSIONS: mm TOLERANCES UNLESS OTHERWISE SPECIFIED: 0 PLC ±.5 1 PLC ±0.25 2 PLC ±.25 3 PLC ±.25 4 PLC ±.25 ANGLES ±° FINISH -2		DWN R. GRZYBOWSKI 12NOV2010 CHK N. EVANS 12NOV2010 APPV M. SYKES 12NOV2010 PRODUCT SPEC APPLICATION SPEC WEIGHT CUSTOMER DRAWING	Tyco Electronics Corporation Harrisburg, PA 17105-3608 NAME: SOCKET CONNECTOR, STRAIGHT SOLDER TAIL FLATPAQ SIZE: A100779 CAGE CODE: C-6646403 SCALE: 3:1 SHEET: 1 OF 3 REV: A
--	--	--	---

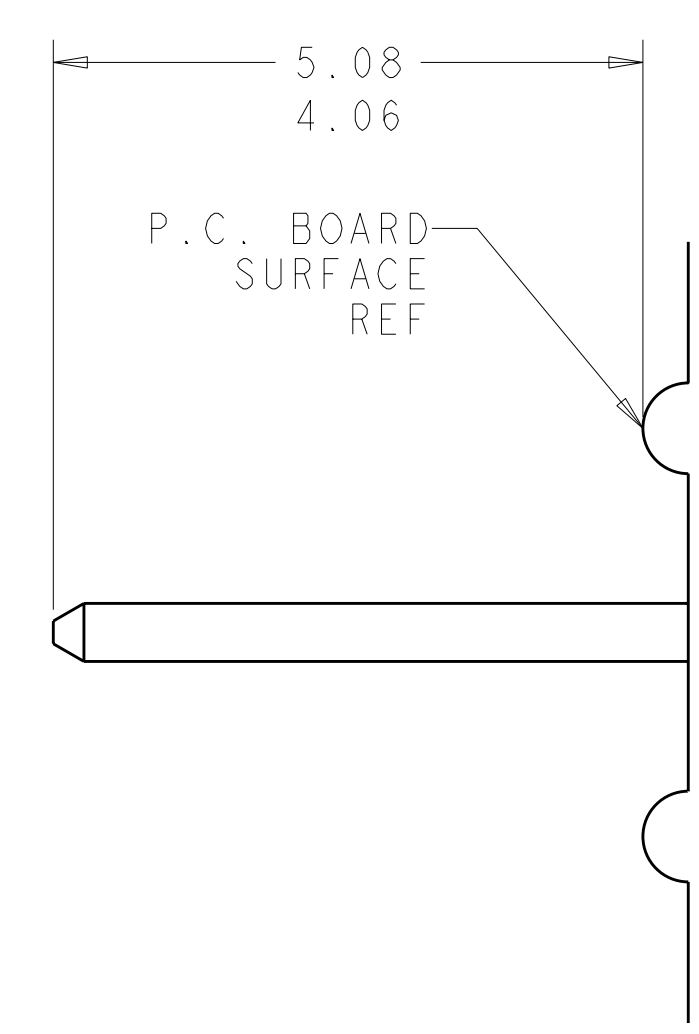
LOC	DIST	REV	DATE	BY	APP'D
GP	00				
DESCRIPTION			DATE	DWN	APP'D
SEE SHEET 1			-	-	-



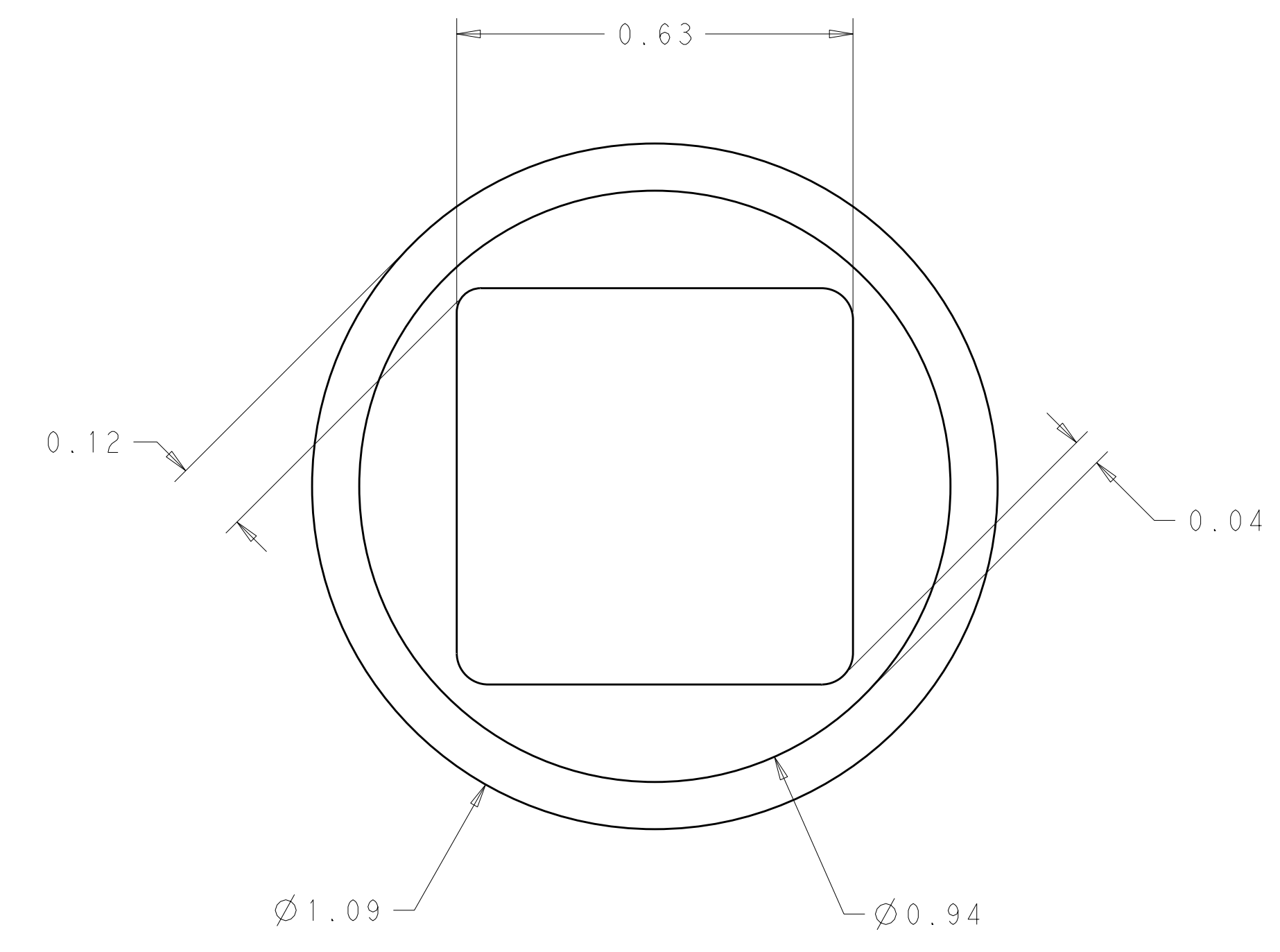
CONNECTOR	CATALOG MODULE #	QTY	SIZE NO.	CONTACT QTY	MATING PIN	MAX. CURRENT (PER CONTACT)	CONTACT SPACING	VOLTAGE RATING
PIN	FP116	3	8	3	1.25 X 7.00	35 amps	7.50	250
	FP100	8	8	8	1.25 X 7.00	35 amps	12.00	600
	FP300	1	22	24	.64 SQ.	3 amps	2.50	125 VOLTS
	FP500	1	LEFT MOUNTING FLANGE					
	FP501	1	RIGHT MOUNTING FLANGE					
	FP503	2	STRAIGHT GUIDE PIN, PASSIVE					

<small>THIS DRAWING IS UNPUBLISHED. RELEASED FOR PUBLICATION 20 BY TYCO ELECTRONICS CORPORATION, ALL INTERNATIONAL RIGHTS RESERVED.</small> <small>THIS IS SUBJECT TO CHANGE WITHOUT NOTICE AND WITHOUT OBLIGATION. SHOULD BE CONTACTED FOR THE LATEST VERSION.</small>		DWN R. GRZYBOWSKI CHK N. EVANS APVD M. SYKES	12NOV2010 12NOV2010 12NOV2010	Tyco Electronics Corporation Harrisburg, PA 17105-3608
DIMENSIONS: mm 	TOLERANCES UNLESS OTHERWISE SPECIFIED: 0 PLC ± 1 PLC ±0.5 2 PLC ±0.25 3 PLC ± 4 PLC ± ANGLES ± FINISH ±	NAME M. SYKES PRODUCT SPEC APPLICATION SPEC WEIGHT CUSTOMER DRAWING	NAME SOCKET CONNECTOR, STRAIGHT SOLDER TAIL FLATPAQ SIZE CAGE CODE DRAWING NO. A100779C=6646403 SCALE 3:1 SHEET 2 OF 3 REV A	RESTRICTED TO

LOC	DIST	REVISIONS			
P	LTR	DESCRIPTION	DATE	DWN	APVD
-	-	SEE SHEET 1	-	-	-



5. SOLDER PIN DETAIL
SCALE 10 : 1



△ SOLDER TERMINATION AREA
SCALE 40:1
RECOMMENDED PRINTED CIRCUIT SOLDER HOLE
FINISHED HOLE: Ø1.02 ±.08
DRILLED HOLE: Ø1.15 ±.013
COPPER PLATE: .025 MIN
TIN PLATE: .008 MIN. (PER SURFACE)

<small>THE INFORMATION CONTAINED HEREIN IS UNCLASSIFIED EXCEPT WHERE SHOWN OTHERWISE. IT IS SUBJECT TO CHANGE WITHOUT NOTICE AND WITHOUT LIABILITY. CONTACT THE ORIGINAL SOURCE FOR THE LATEST REVISION.</small>		DWN: R. GRZYBOWSKI 12NOV2010 CHK: N. EVANS 12NOV2010 APVD: M. SYKES 12NOV2010	Tyco Electronics Corporation Harrisburg, PA 17105-3608
DIMENSIONS: mm 	TOLERANCES UNLESS OTHERWISE SPECIFIED: 0 PLC ±. 1 PLC ±0.5 2 PLC ±0.25 3 PLC ±. 4 PLC ±. ANGLES ±.3 FINISH -	NAME: R. GRZYBOWSKI PRODUCT SPEC: APPLICATION SPEC: WEIGHT:	NAME: SOCKET CONNECTOR, STRAIGHT SOLDER TAIL FLATPAQ SIZE: A100779 CAGE CODE: C=6646403 DRAWING NO: RESTRICTED TO:
MATERIAL: -	FINISH: -	WEIGHT: -	SCALE: 3:1 SHEET 3 OF 3 REV A
CUSTOMER DRAWING			

X-ON Electronics

Largest Supplier of Electrical and Electronic Components

Click to view similar products for [Sockets & Adapters](#) category:

Click to view products by [TE Connectivity](#) manufacturer:

Other Similar products are found below :

[6508-0-00-01-00-00-33-0](#) [AC164341](#) [AC164348](#) [1262](#) [C8051F350-TB](#) [KITPF0100SKTEVBE](#) [LFVDBJR](#) [SK-AX2-CQ256-KITTOP](#)
[AC164334](#) [AC164353](#) [AC164383](#) [SOCKET-ADM106XTQZ](#) [SPC564A80CAL176](#) [ST5M1267-001](#) [FP3-10PIN-ADAPTER-KIT](#) [CY3675-](#)
[LCC4A](#) [TDGL015](#) [ATF15XXDK3-SAA100](#) [LFBGADATC](#) [SM64TQ-ACTEL-1](#) [SM68P-ACTEL](#) [8.06.03](#) [AC164358](#) [ATSTK600-RC99](#)
[76002056](#) [DS91230+](#) [OM13019,598](#) [09185058](#) [AC164369](#) [AC164409](#) [AC164402](#) [SMPA-ISP-ACTEL-3-KIT](#) [ICESABCM81-01](#) [LFVDBGF](#)
[AC164408](#) [LFBGADAU1A](#) [KIT 70601-3](#) [S5U13U00P00C100](#) [AC164352](#) [PN-Q208/5256V](#) [PN-T100/LC4256](#) [LFBGAINTM55U1QA](#)
[AC164370](#) [AC164355](#) [AC164367](#) [LFDAS12XEFT](#) [CY3675-TSSOP20B](#) [SPC563M64AVB144](#) [ATF15XXDK3-SAA44](#) [AC164410](#)