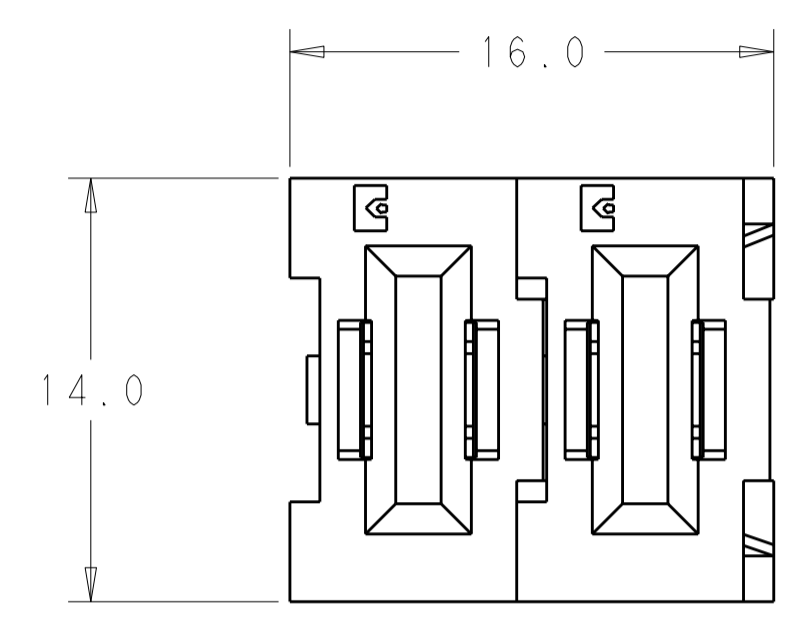


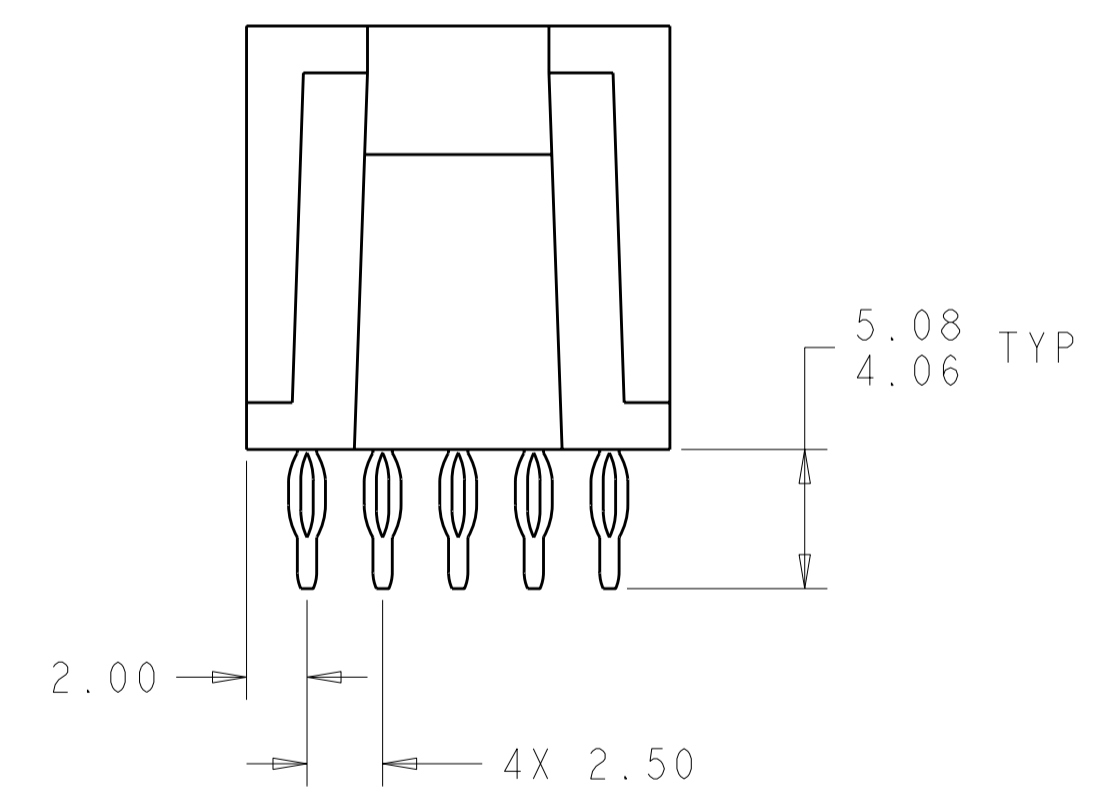
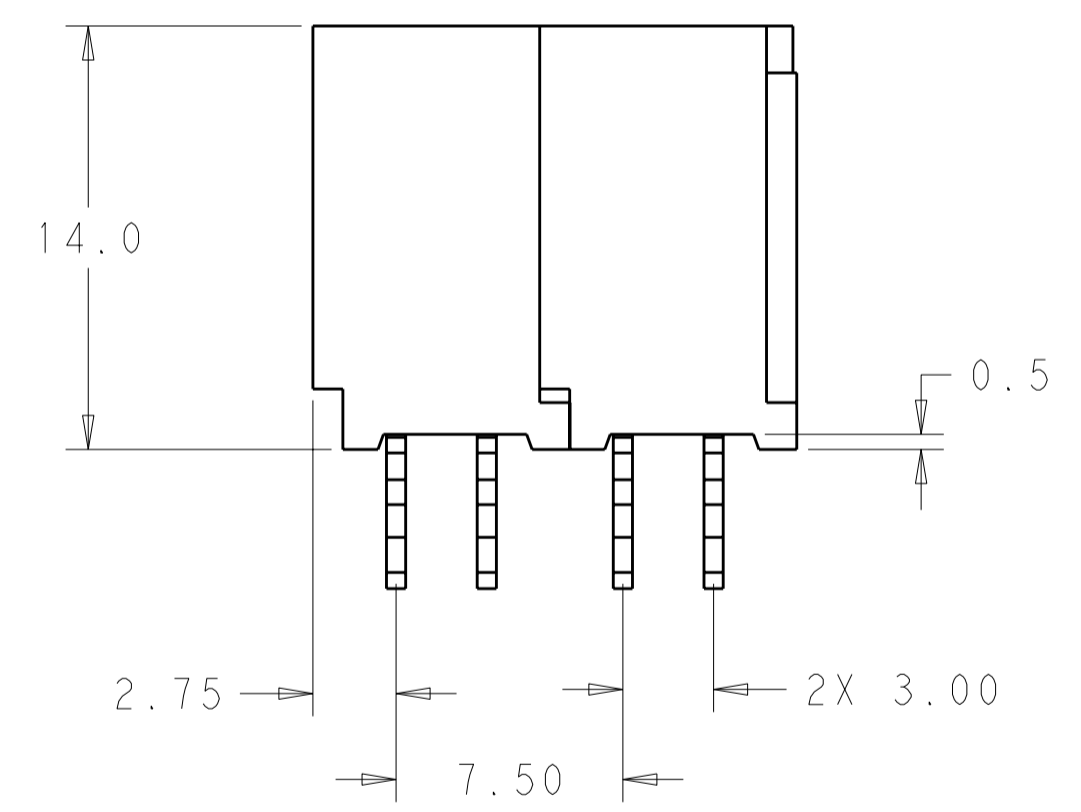
THIS DRAWING IS UNPUBLISHED. RELEASED FOR PUBLICATION 20
 © COPYRIGHT 20 TE ALL RIGHTS RESERVED.

LOC	DIST	REVISIONS					
GP	00	P	LTR	DESCRIPTION	DATE	DWN	APVD
			A	RELEASED	04APR2011	RG	MB



- 1 MATERIAL:
 INSULATOR - THERMOPLASTIC, GLASS REINFORCED,
 COLOR: BLACK
 UL94V-0 FLAMABILITY RATED
 POWER CONTACTS- PHOSPHOR BRONZE ALLOY,
 COPPER ALLOY
 CROWN BANDS - BERYLLIUM COPPER ALLOY
- 2 FINISH:
 CONTACTS - GOLD PLATED 0.76µm MIN. THK OVER NICKEL
 1.27µm MIN. THK
 COMPLIANT TAILS - TIN PLATE 2.54µm MIN. THK. OVER
 NICKEL 1.27µm MIN THK.
- 3. ITEMS PROVIDED TO THIS SPECIFICATION TO BE PERMANENTLY IDENTIFIED ON THE CONTAINER PER THE FOLLOWING IDENTIFIER:

YEAR WEEK
 TE CONNECTIVITY P/N DATE CODE (e.g. 0106)
 XXXXXXXX-X XXXX

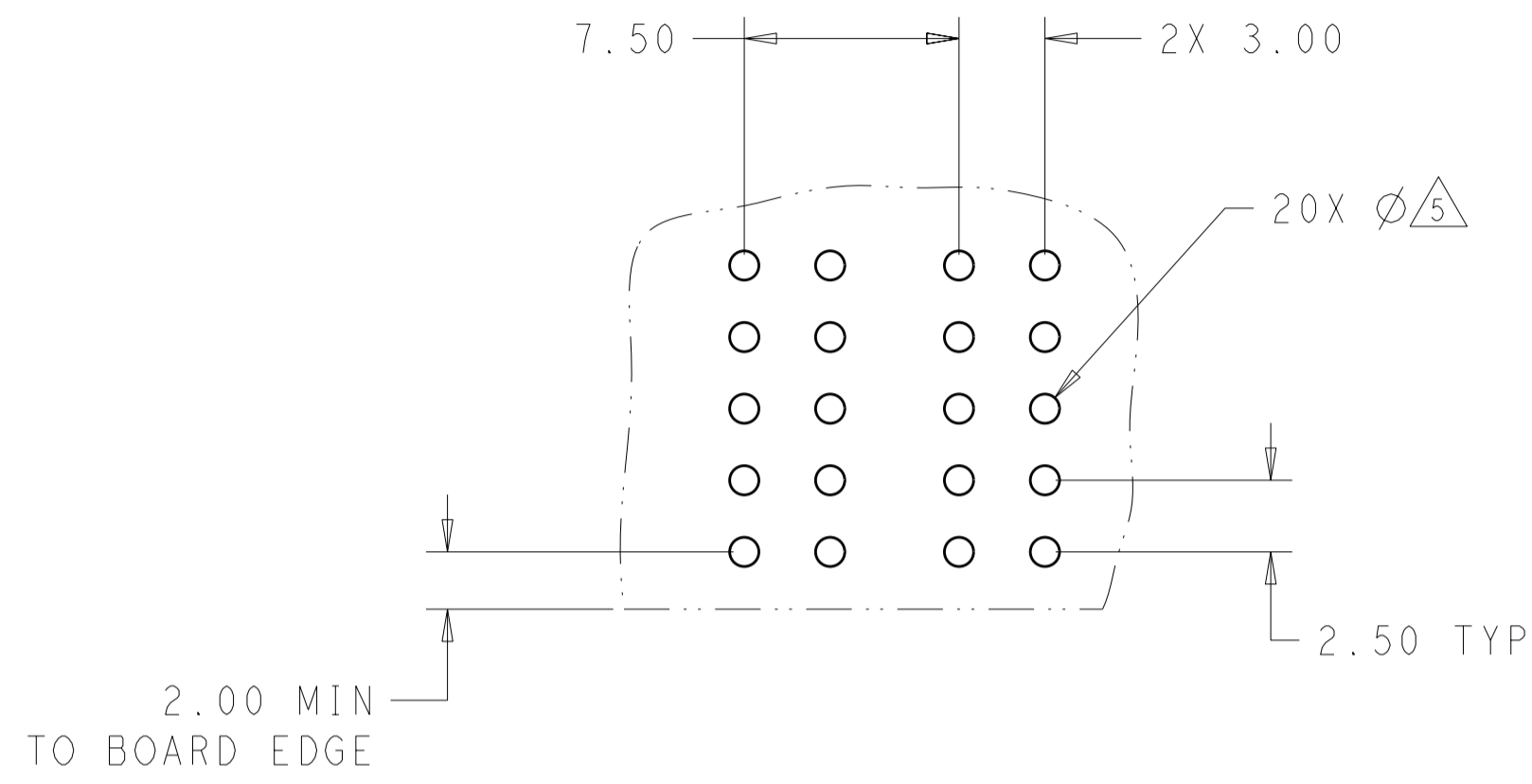


6646506-1
 PART NUMBER

THIS DRAWING IS A CONTROLLED DOCUMENT.		DWN R. GRZYBOWSKI 25MAR2011	TE Connectivity	
DIMENSIONS: mm		CHK M. BOWERS 25MAR2011		
TOLERANCES UNLESS OTHERWISE SPECIFIED:		APVD M. BOWERS 25MAR2011	NAME SOCKET CONNECTOR ASSEMBLY VERTICAL, COMPLIANT TAIL FLATPAQ	
0 PLC ± 1 PLC ±0.5 2 PLC ±0.25 3 PLC ± 4 PLC ± ANGLES ± FINISH 2		PRODUCT SPEC -	SIZE A200779	DRAWING NO C-6646506
MATERIAL 1		APPLICATION SPEC -	RESTRICTED TO -	
		WEIGHT -	SCALE 4:1	SHEET 1 OF 3
		CUSTOMER DRAWING	REV A	

THIS DRAWING IS UNPUBLISHED. RELEASED FOR PUBLICATION 20
 © COPYRIGHT 20 TE ALL RIGHTS RESERVED.


LOC	DIST	REVISIONS			
P	LTR	DESCRIPTION	DATE	DWN	APVD
GP	00	-	SEE SHEET 1	-	-



PRINTED CIRCUIT LAYOUT
 COMPONENT SIDE

CONNECTOR	CATALOG MODULE #	QTY	SIZE NO.	CONTACT QTY	MATING PIN	MAX. CURRENT (PER CONTACT)	CONTACT SPACING	VOLTAGE RATING
SOCKET	FP200	2	8	2	1.25 X 7.00	35 amps	7.50	250 VOLTS

THIS DRAWING IS A CONTROLLED DOCUMENT.

DWN R. GRZYBOWSKI 25MAR2011	 TE Connectivity SOCKET CONNECTOR ASSEMBLY VERTICAL, COMPLIANT TAIL FLATPAQ
CHK M. BOWERS 25MAR2011	
APVD M. BOWERS 25MAR2011	
PRODUCT SPEC -	
NAME SIZE CAGE CODE DRAWING NO. RESTRICTED TO A200779 C-6646506 -	
MATERIAL FINISH WEIGHT SCALE 4:1 SHEET 2 OF 3 REV A	

CUSTOMER DRAWING

X-ON Electronics

Largest Supplier of Electrical and Electronic Components

Click to view similar products for [Heavy Duty Power Connectors](#) category:

Click to view products by [TE Connectivity](#) manufacturer:

Other Similar products are found below :

[1424439](#) [1424438](#) [09330062652](#) [2-8675P1](#) [605601-1](#) [6340G1](#) [6341G1](#) [6360G1](#) [6373G1](#) [6374g2](#) [6396G1](#) [647757-1](#) [66394-4](#) [6643411-1](#)
[6646058-2](#) [6646137-1](#) [6646138-1](#) [6646348-1](#) [6646479-1](#) [6646608-1](#) [6646786-1](#) [6646940-1](#) [6651091-1](#) [6651525-1](#) [6651529-1](#) [6651778-1](#)
[6651788-1](#) [696465-1](#) [696475-1](#) [73000005059](#) [73000005349](#) [73000005642](#) [73080255059](#) [73080965046](#) [765-15-0080A](#) [765-16-0080B](#)
[789.700-44](#) [789.700-54](#) [80-1010](#) [80-9](#) [827381-1](#) [829992-1](#) [902-77-02113](#) [PL00U-301-10D10](#) [PM103MOOLOO](#) [PM16S1620S32-50](#)
[PM212MOOLOO](#) [PM309FOOLOO](#) [PM324FOOLCH](#) [PMHPAF11S03](#)