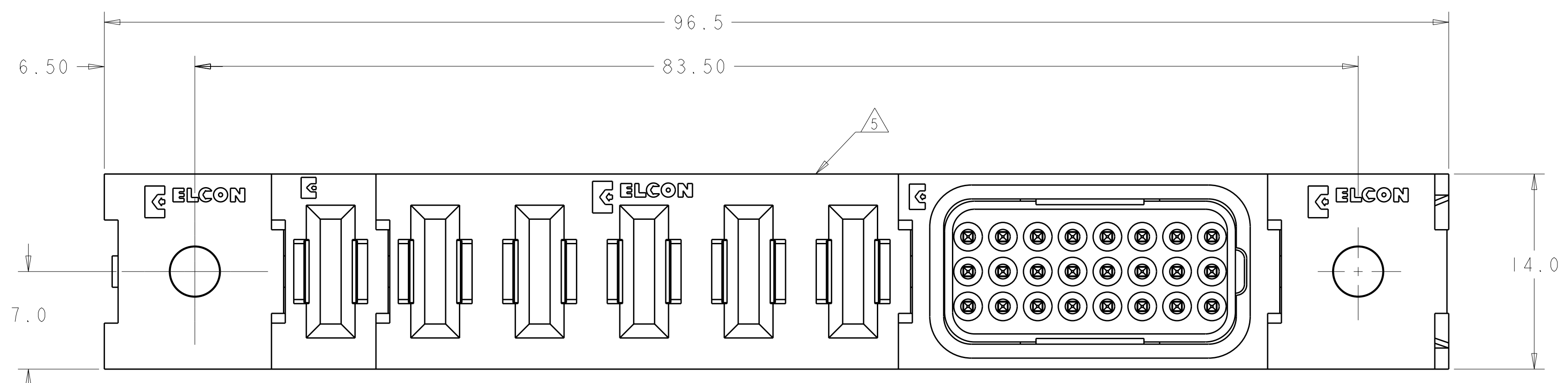


LOC	DIST	REVISIONS			
GP	00	REV	DATE	BY	APPD
		A	02FEB2009	RG	PD
		B	15SEP2011	RG	MS



1. PART NUMBER CHANGES AND OR DESIGN CHANGES AFFECTING ITEM INTERCHANGEABILITY REQUIRE PRIOR TYCO ELECTRONICS APPROVAL AND AUTHORIZATION BY REVISION TO THIS DRAWING.

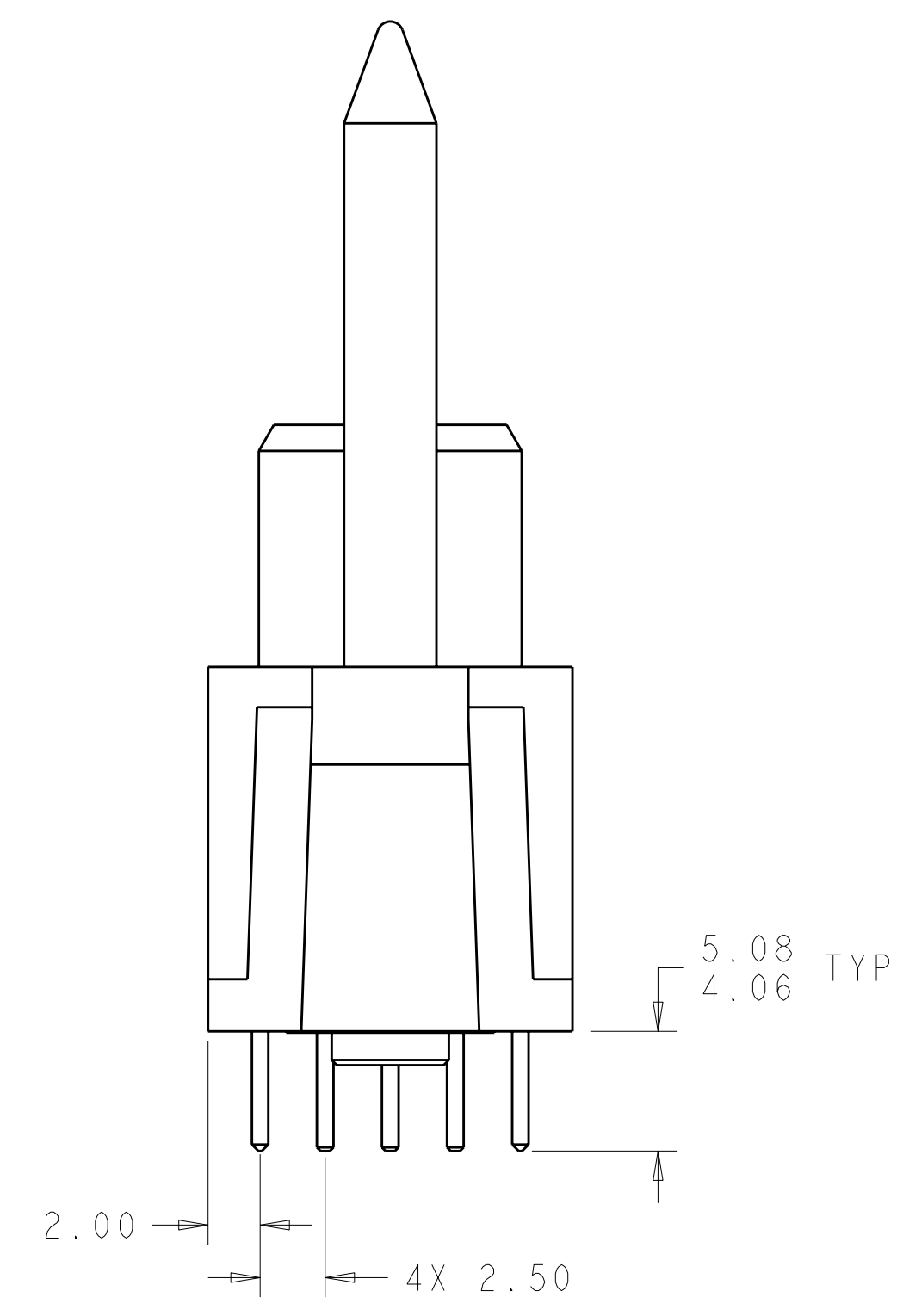
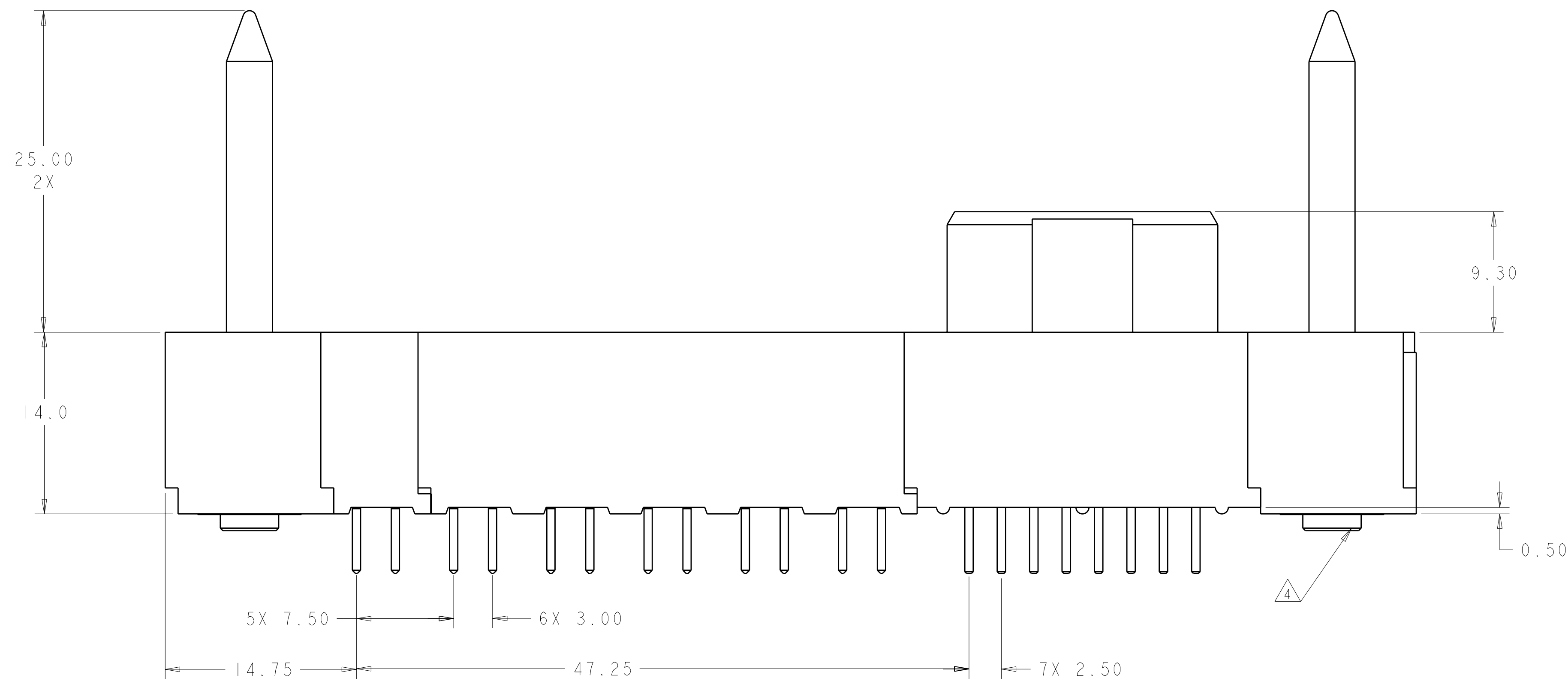
2 MATERIAL: INSULATORS - THERMOPLASTIC, GLASS REINFORCED, COLOR: BLACK  
 UL94V-0 FLAMMABILITY RATED.  
 POWER CONTACTS - PHOSPHOR BRONZE ALLOY, COPPER ALLOY  
 SOLDER SIGNAL PIN - BRASS ALLOY  
 CROWN BAND-BERYLLIUM COPPER ALLOY  
 GUIDE PIN-BRASS COPPER ALLOY

3 FINISH: CONTACTS - GOLD PLATE 0.76µm MIN. THK. OVER  
 NICKEL 1.27µm MIN. THK  
 SOLDER TAILS - TIN 3.05µm MIN. THK. OVER  
 NICKEL 1.27µm MIN. THK  
 GUIDE PIN - SILVER PLATE 5.08µm MIN THK. OVER  
 NICKEL 1.27µm MIN. THK

4 ACTIVE GUIDE PINS ACCEPT #4-40 SCREWS, (USER SUPPLIED)

5 ITEMS PROVIDED TO THIS SPECIFICATION TO BE PERMANENTLY IDENTIFIED PER THE FOLLOWING IDENTIFIER LABEL

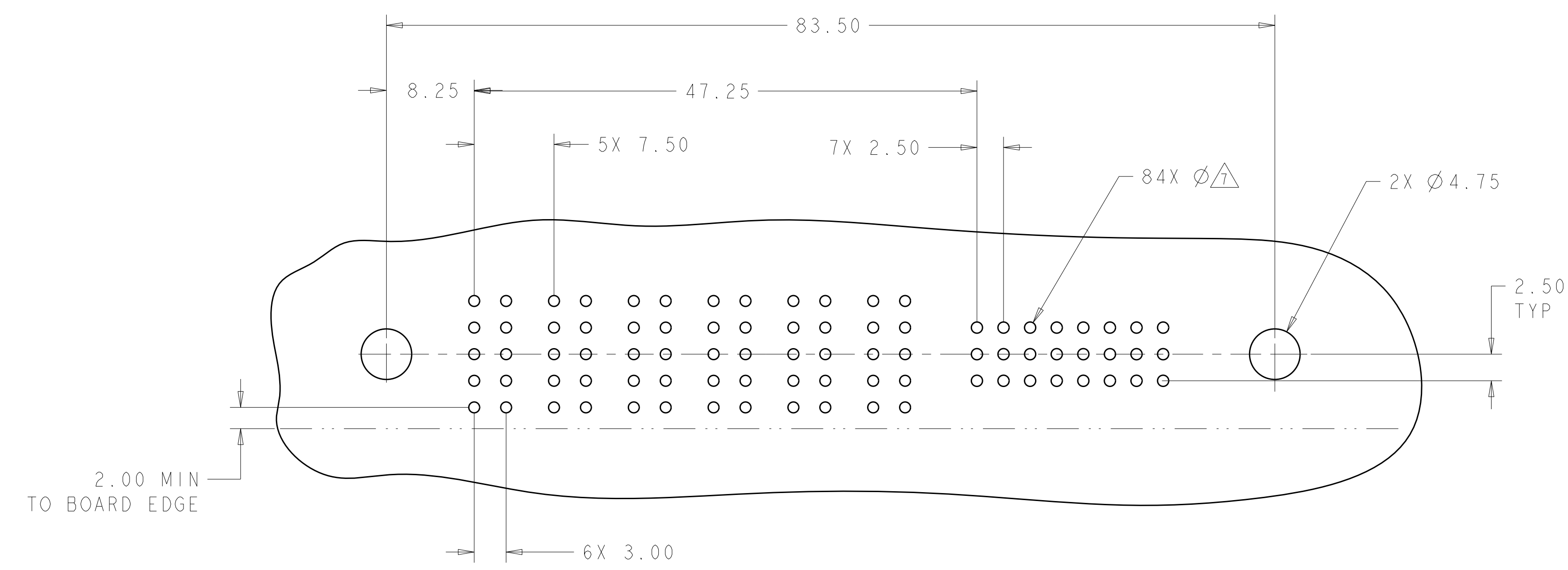
TYCO ELECTRONICS P/N: XXXXXXXX-X  
 DATE CODE (e.g. 0106): YEAR 1 WEEK 1



ELCON FLATPAQ

AS SHOWN		6646574-1	
DESCRIPTION		PART NUMBER	
DIMENSIONS: mm TOLERANCES UNLESS OTHERWISE SPECIFIED: 0 PLC ±.5 1 PLC ±.5 2 PLC ±.25 3 PLC ±.5 4 PLC ±.5 ANGLES ±.5 FINISH: 2, 3		DWN: R. GRZYBOWSKI 2FEB2009 CHK: P. DAMATO 2FEB2009 APVD: M. PERCHERKE 2FEB2009 PRODUCT SPEC: - APPLICATION SPEC: - WEIGHT: - CUSTOMER DRAWING	
Tyco Electronics Harrisburg, PA 17105-3608		NAME: STRAIGHT PIN CONNECTOR, SOLDER TAILS, FLATPAQ SIZE: A   00779   C=6646574 SCALE: 2:1 SHEET 1 OF 3 REV B	

LOC	DIST	REVISIONS			
P	LTB	DESCRIPTION	DATE	DWN	APVD
GP	00	SEE SHEET 1	-	-	-



PRINTED CIRCUIT LAYOUT  
 COMPONENT SIDE

CONNECTOR	CATALOG MODULE #	QTY	SIZE NO.	CONTACT QTY	MATING PIN	MAX. CURRENT (PER CONTACT)	CONTACT SPACING	VOLTAGE RATING
PIN	FP100	6	8	6	1.25 X 7.00 [.049 X .276]	35 amps	7.50 [.2953]	250 VOLTS
	FP301	1	22	24	.64 [.025] SQ.	3 AMPS	2.50 [.0984]	125 VOLTS
	FP517	2	ACTIVATED STRAIGHT GUIDE PIN					

ELCON FLATPAQ

THIS DRAWING IS UNPUBLISHED. RELEASED FOR PUBLICATION 20. THIS DRAWING IS UNPUBLISHED. RELEASED FOR PUBLICATION 20. THIS DRAWING IS UNPUBLISHED. RELEASED FOR PUBLICATION 20. THIS DRAWING IS UNPUBLISHED. RELEASED FOR PUBLICATION 20. THIS DRAWING IS UNPUBLISHED. RELEASED FOR PUBLICATION 20.

DIMENSIONS: mm [INCHES]	TOLERANCES UNLESS OTHERWISE SPECIFIED:	DWN R. GRZYBOWSKI 17AUG06	Tyco Electronics Harrisburg, PA 17105-3608
0 PLC ± 1 PLC ±0.3 (0.01) 2 PLC ±0.15 (0.005) 3 PLC ±0.013 4 PLC ±0.001 ANGLES ±.5 FINISH	OTHERWISE SPECIFIED: OTHERWISE SPECIFIED: OTHERWISE SPECIFIED: OTHERWISE SPECIFIED: OTHERWISE SPECIFIED:	CHK S. FLICKINGER 17AUG06 APVD S. FLICKINGER 17AUG06 PRODUCT SPEC APPLICATION SPEC WEIGHT CUSTOMER DRAWING	



## X-ON Electronics

Largest Supplier of Electrical and Electronic Components

*Click to view similar products for [Heavy Duty Power Connectors](#) category:*

*Click to view products by [TE Connectivity](#) manufacturer:*

Other Similar products are found below :

[1424439](#) [1424438](#) [09330062652](#) [2-8675P1](#) [580129-2](#) [605601-1](#) [6340G1](#) [6341G1](#) [6360G1](#) [6373G1](#) [6374g2](#) [6396G1](#) [647757-1](#) [66394-4](#)  
[6643411-1](#) [6646058-2](#) [6646137-1](#) [6646138-1](#) [6646348-1](#) [6646479-1](#) [6646608-1](#) [6646786-1](#) [6646940-1](#) [6651091-1](#) [6651525-1](#) [6651529-1](#)  
[6651778-1](#) [6651788-1](#) [696465-1](#) [696475-1](#) [73000005059](#) [73000005349](#) [73000005642](#) [73080255059](#) [73080965046](#) [765-15-0080A](#)  
[765-16-0080B](#) [789.700-44](#) [789.700-54](#) [80-1010](#) [80-9](#) [827381-1](#) [829992-1](#) [902-77-02113](#) [PL00U-301-10D10](#) [PM103MOOLOO](#)  
[PM16S1620S32-50](#) [PM212MOOLOO](#) [PM309FOOLOO](#) [PM324FOOLCH](#)