

THIS DRAWING IS UNPUBLISHED. RELEASED FOR PUBLICATION
 © COPYRIGHT 2006 By - ALL RIGHTS RESERVED.

LOC	DIST	REVISIONS					
GP	00	P	LTR	DESCRIPTION	DATE	DWN	APVD
			C	REV PER ECO-10-020831	15SEPT2011	RG	MS

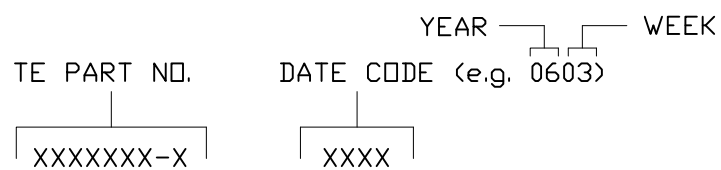
7. MODULE INFORMATION

CONNECTOR	CATALOG MODULE #	QTY	SIZE NO.	CONTACT QTY	MATING PIN	MAX. CURRENT (PER CONTACT)	CONTACT SPACING	VOLTAGE RATING*
SOCKET	FP0100	2	8	8	1.25 X 7.00 [.049 X .276]	35 AMPERES	7.50 [L2953]	250 VOLTS
	FP0301	1	22	24	.64 [L025] SQ.	3 AMPERES	2.50 [L0984]	125 VOLTS
	FP0515	2	ACTIVE STRAIGHT GUIDE PIN					
	FP500	1	LEFT MOUNTING FLANGE					
	FP501	1	RIGHT MOUNTING FLANGE					

- PART NUMBER CHANGES AND OR DESIGN CHANGES AFFECTING ITEM INTERCHANGEABILITY REQUIRE PRIOR TE APPROVAL AND AUTHORIZATION BY REVISION TO THIS DRAWING.
- MATERIALS:
 - INSULATORS: THERMOPLASTIC, GLASS REINFORCED, COLOR BLACK. UL94V-0 FLAMMABILITY RATED.
 - SOLDER SIGNAL PIN: BRASS ALLOY.
 - POWER CONTACTS: PHOSPHOR BRONZE ALLOY, COPPER ALLOY.
 - CROWN BANDS: COPPER ALLOY.
 - GUIDE PIN: BRASS COPPER ALLOY.
- FINISHES:
 - CONTACTS: GOLD PLATE .000030" MIN. THK, OVER NICKEL .000050" MIN. THK.
 - TERMINALS: TIN PLATE, MATTE FINISH .000100" MIN. THK. OVER NICKEL .00005 MIN THK.
 - GUIDE PIN: SILVER PLATE, .000200 MIN THK OVER NICKEL. .000050 MIN THICK..

- ACTIVE GUIDE PINS ACCEPT M3 SCREWS, (USER SUPPLIED).
- MOUNTING FLANGES ACCEPT M3 OR 4-40 SCREWS, (USER SUPPLIED).

6. ITEMS PROVIDED TO THIS SPECIFICATION TO BE PERMANENTLY IDENTIFIED PER THE FOLLOWING IDENTIFIER:

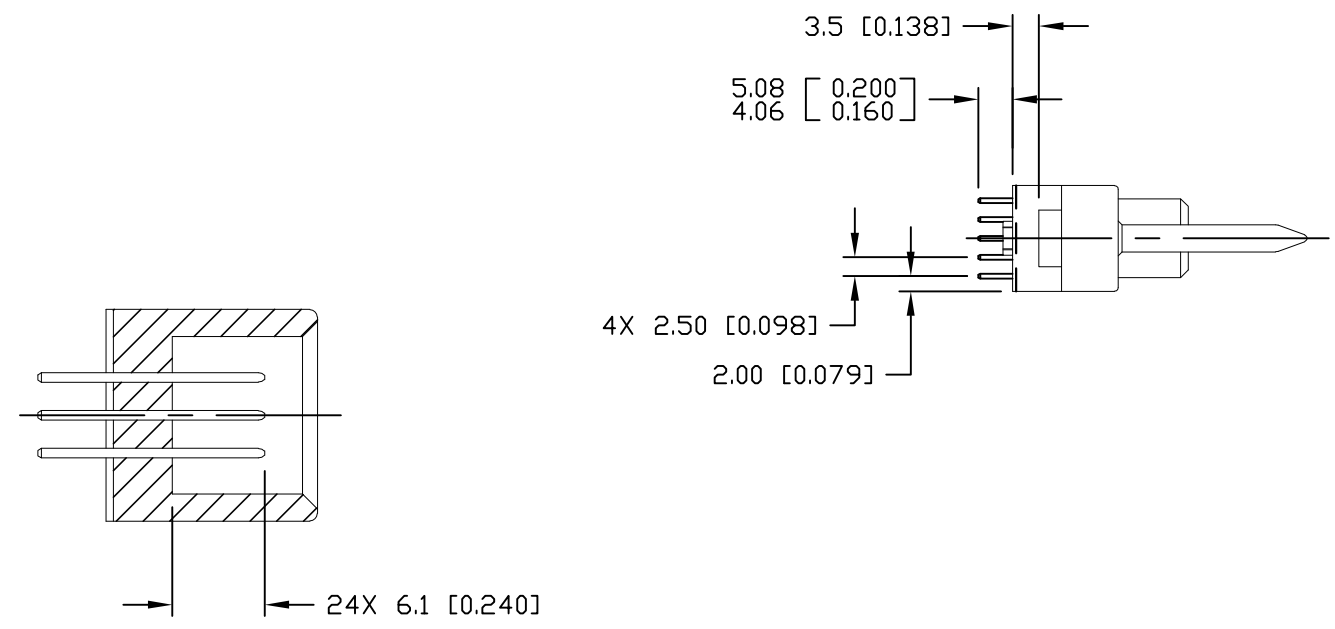


TE PART NUMBER
6646597-1

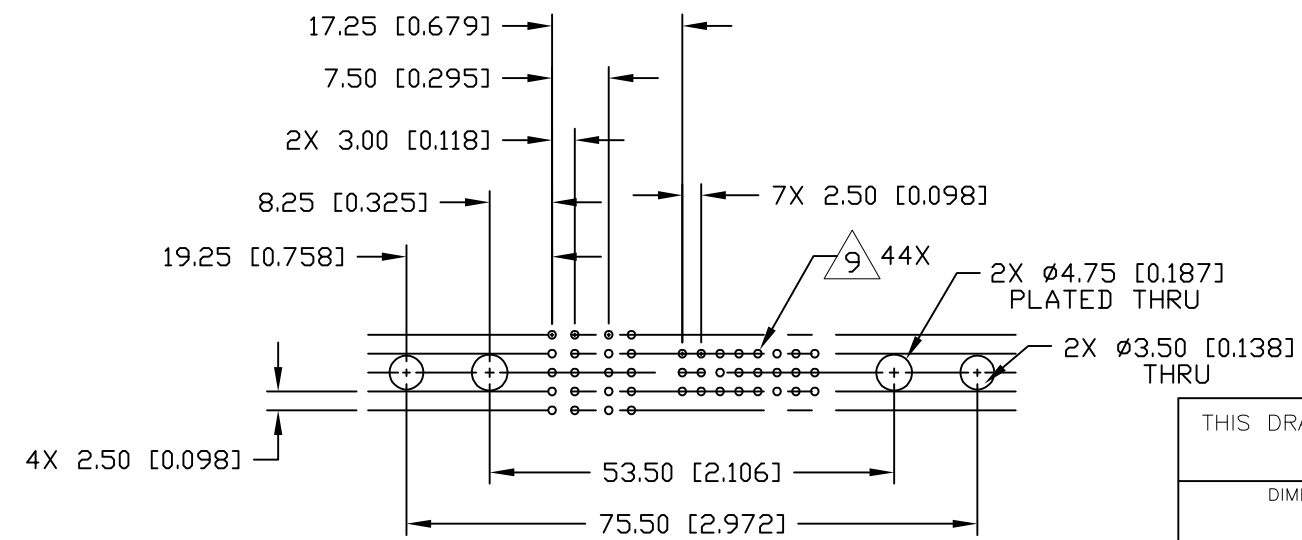
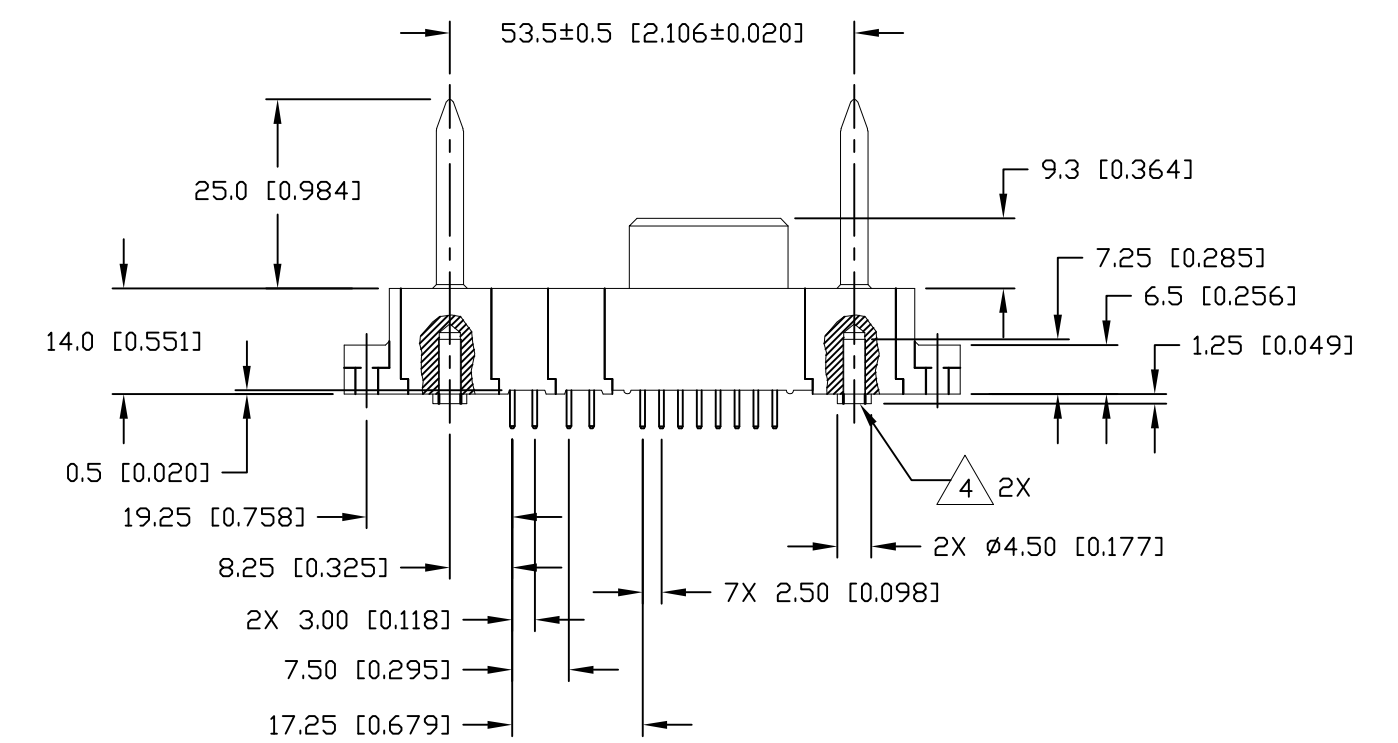
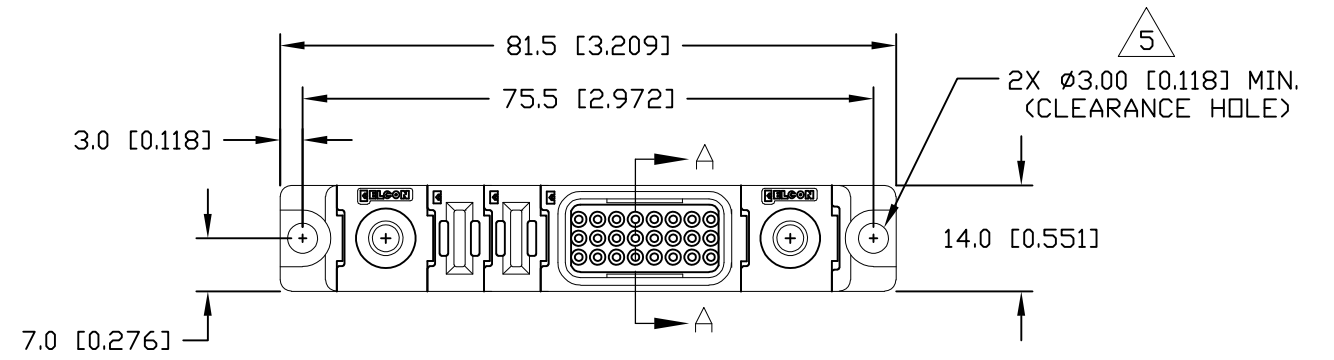
THIS DRAWING IS A CONTROLLED DOCUMENT.		DWN G.PETERS 27DEC2006	STE TE Connectivity	
DIMENSIONS: mm		CHK S.FLICKINGER 27DEC2006		
TOLERANCES UNLESS OTHERWISE SPECIFIED:		APVD S.FLICKINGER 27DEC2006	NAME	
0 PLC ± -		PRODUCT SPEC	SOCKET CONNECTOR, FLATPAQ STRAIGHT, SOLDER TAILS	
1 PLC ± .5 [.020]		APPLICATION SPEC	-	
2 PLC ± .25 [.010]		WEIGHT	SIZE A3	CAGE CODE 00779
3 PLC ± -		FINISH	DRAWING NO C-6646597	RESTRICTED TO
4 PLC ± -		MATERIAL	-	
ANGLES ± .5		CUSTOMER DRAWING		
MATERIAL		SCALE 1:1		SHEET 1 OF 3
FINISH		REV C		

THIS DRAWING IS UNPUBLISHED. RELEASED FOR PUBLICATION
 © COPYRIGHT 2006 By - ALL RIGHTS RESERVED.

LOC	DIST	REVISIONS			
P	LTR	DESCRIPTION	DATE	DWN	APVD
GP	00	-	SEE SHEET 1	-	-



SECTION A-A
 GENDER CHANGER NOT SHOWN FOR CLARITY



PRINTED CIRCUIT LAYOUT

THIS DRAWING IS A CONTROLLED DOCUMENT.		DWN G.PETERS 27DEC2006	TE Connectivity	
DIMENSIONS: mm		CHK S.FLICKINGER 27DEC2006		
TOLERANCES UNLESS OTHERWISE SPECIFIED:		APVD S.FLICKINGER 27DEC2006	NAME	
0 PLC ± -		PRODUCT SPEC	SOCKET CONNECTOR, FLATPAQ STRAIGHT, SOLDER TAILS	
1 PLC ± .5 [.020]		APPLICATION SPEC	-	
2 PLC ± .25 [.010]		WEIGHT	SIZE A3	CAGE CODE 00779
3 PLC ± -		MATERIAL -	DRAWING NO C-6646597	RESTRICTED TO -
4 PLC ± -			CUSTOMER DRAWING	
ANGLES ± .5		SCALE 1:1	SHEET 2 OF 3	REV C

THIS DRAWING IS UNPUBLISHED.

RELEASED FOR PUBLICATION

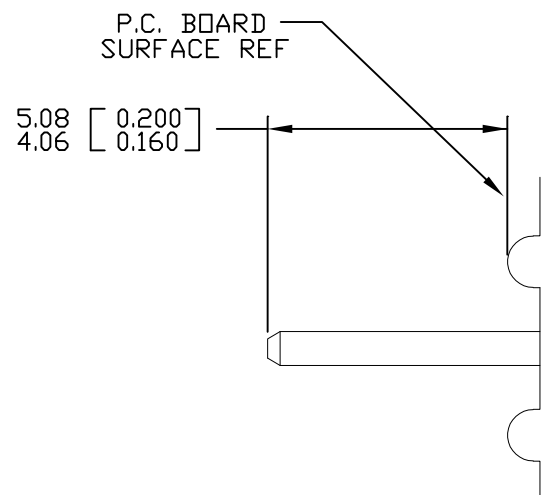
ALL RIGHTS RESERVED.

© COPYRIGHT 2006 By -

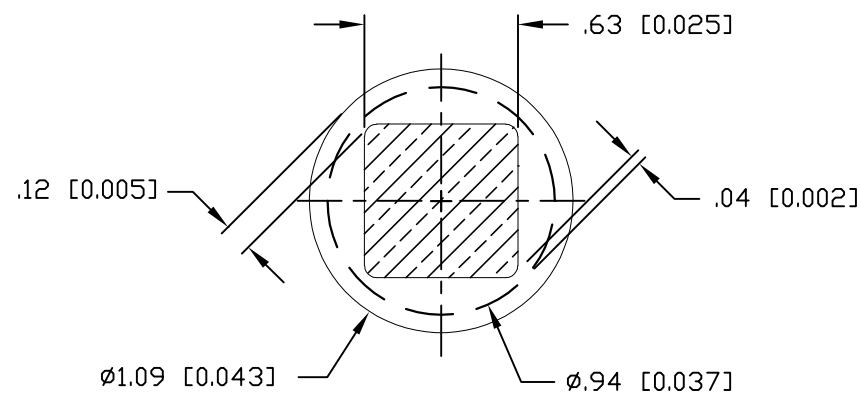
LOC GP DIST 00

REVISIONS

P	LTR	DESCRIPTION	DATE	DWN	APVD
-	-	SEE SHEET 1	-	-	-



8. SOLDER PIN DETAIL



9 SOLDER TERMINATION AREA

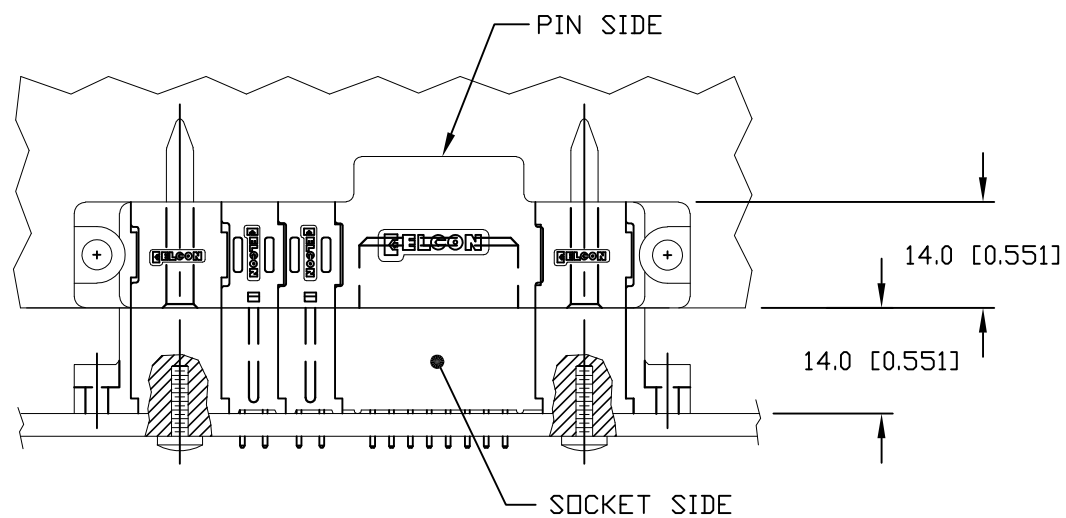
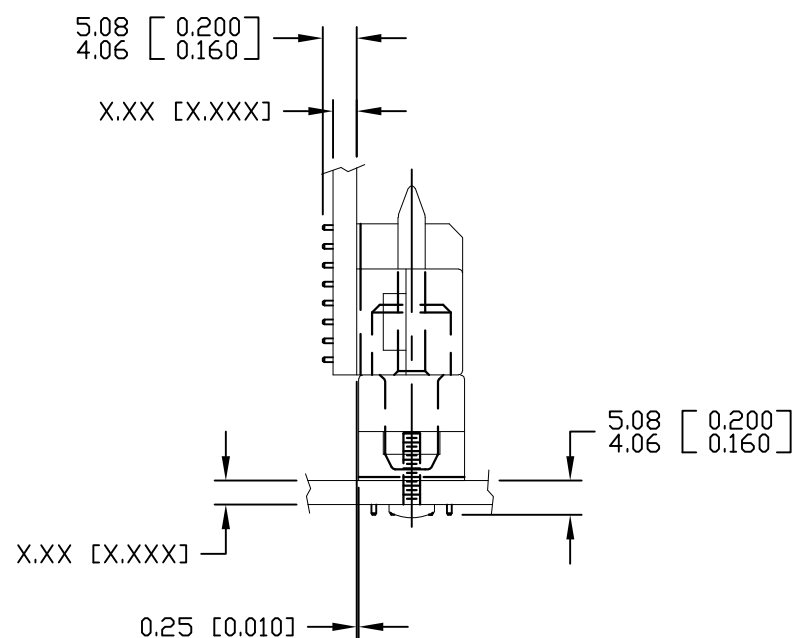
RECOMMENDED PRINTED CIRCUIT HOLE

FINISHED HOLE: $\phi 1.02 [0.40] \pm .08 [0.003]$

DRILLED HOLE: $\phi 1.15 [0.453] \pm .013 [0.0005]$

COPPER PLATE: .025-.050 [0.001-.002] MINIMUM (PER SURFACE)

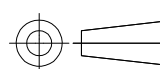
TIN PLATE: .0005 [0.00002] MINIMUM (PER SURFACE)



MATED CONDITION
MATES WITH 6648000-1

THIS DRAWING IS A CONTROLLED DOCUMENT.

DIMENSIONS:
mm



TOLERANCES UNLESS OTHERWISE SPECIFIED:

0 PLC	± -
1 PLC	± .5 [.020]
2 PLC	± .25 [.010]
3 PLC	± -
4 PLC	± -
ANGLES	± .5

MATERIAL

FINISH

DWN G.PETERS 27DEC2006

CHK S.FLICKINGER 27DEC2006

APVD S.FLICKINGER 27DEC2006

PRODUCT SPEC

APPLICATION SPEC

WEIGHT -

CUSTOMER DRAWING



NAME: SOCKET CONNECTOR, FLATPAQ STRAIGHT, SOLDER TAILS

SIZE	CAGE CODE	DRAWING NO	RESTRICTED TO
A3	00779	C-6646597	-

SCALE 1:1 SHEET 3 OF 3 REV C

X-ON Electronics

Largest Supplier of Electrical and Electronic Components

Click to view similar products for [Power to the Board](#) category:

Click to view products by [TE Connectivity](#) manufacturer:

Other Similar products are found below :

[6450171-4](#) [6450552-7](#) [6600323-8](#) [6643429-1](#) [6646040-2](#) [6651939-1](#) [6766604-1](#) [120959-1](#) [1393557-2](#) [1393532-2](#) [1393532-3](#) [1393532-4](#)
[1393557-1](#) [1600812-5](#) [1-6450861-2](#) [1744132-7](#) [1761122-1](#) [1766250-1](#) [1892109-1](#) [2-6450860-5](#) [2-6450870-0](#) [1-6450161-4](#) [1-6450850-6](#) [1-](#)
[6450869-6](#) [1645526-2](#) [1-6600130-0](#) [2005243-2](#) [377-0020-11130](#) [TE34-12-16P-F0](#) [51700-10201602AALF](#) [5-6450830-6](#) [5646956-4](#) [377-](#)
[0080-11131A](#) [4-6450830-9](#) [4-6600333-3](#) [10125416-4050LF](#) [10130248-005LF](#) [6600320-3](#) [3-6450860-5](#) [1888123-2](#) [6450166-1](#) [6643978-1](#)
[6766605-1](#) [701-15-02109](#) [N11444](#) [6651938-1](#) [6450810-7](#) [46437-1112](#) [1-1589677-8](#) [5646956-5](#)