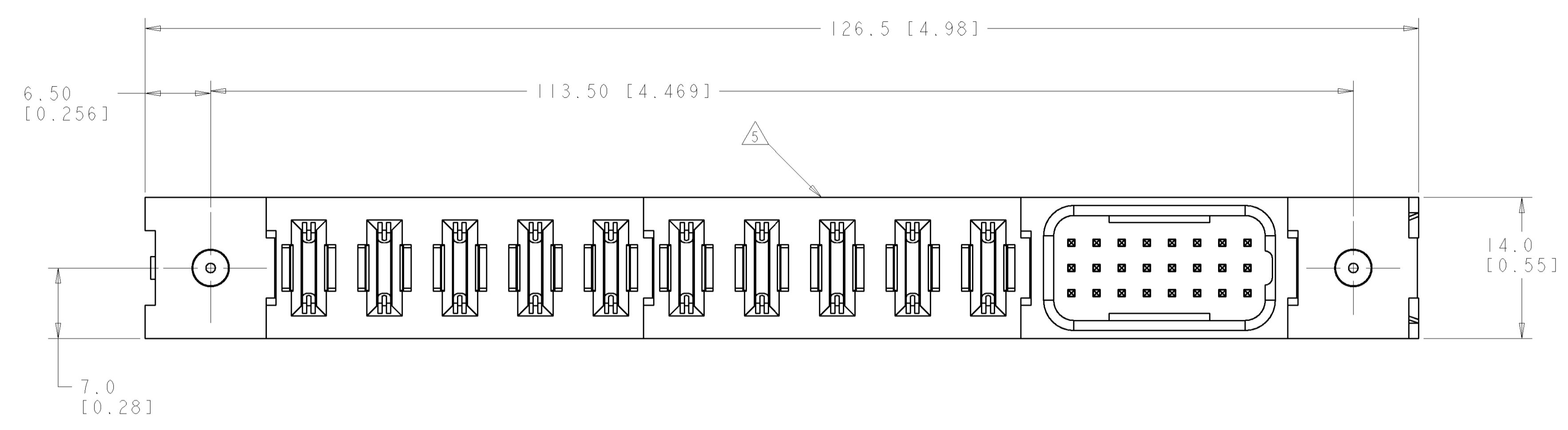


LOC	DIST	REV	DESCRIPTION	DATE	DRN	APVD
GP	00	A	RELEASED	29AUG2006	RG	SF



1. PART NUMBER CHANGES AND OR DESIGN CHANGES AFFECTING ITEM INTERCHANGEABILITY REQUIRE PRIOR TYCO APPROVAL AND AUTHORIZATION BY REVISION TO THIS DRAWING.

2. MATERIAL:
 INSULATORS - THERMOPLASTIC, GLASS REINFORCED, COLOR: BLACK
 UL94V-0 FLAMMABILITY RATED.
 POWER CONTACTS - PHOSPHOR BRONZE ALLOY,
 COPPER ALLOY
 SOLDER SIGNAL PIN - BRASS ALLOY
 CROWN BAND-BERYLLIUM COPPER ALLOY
 GUIDE PIN-BRASS COPPER ALLOY

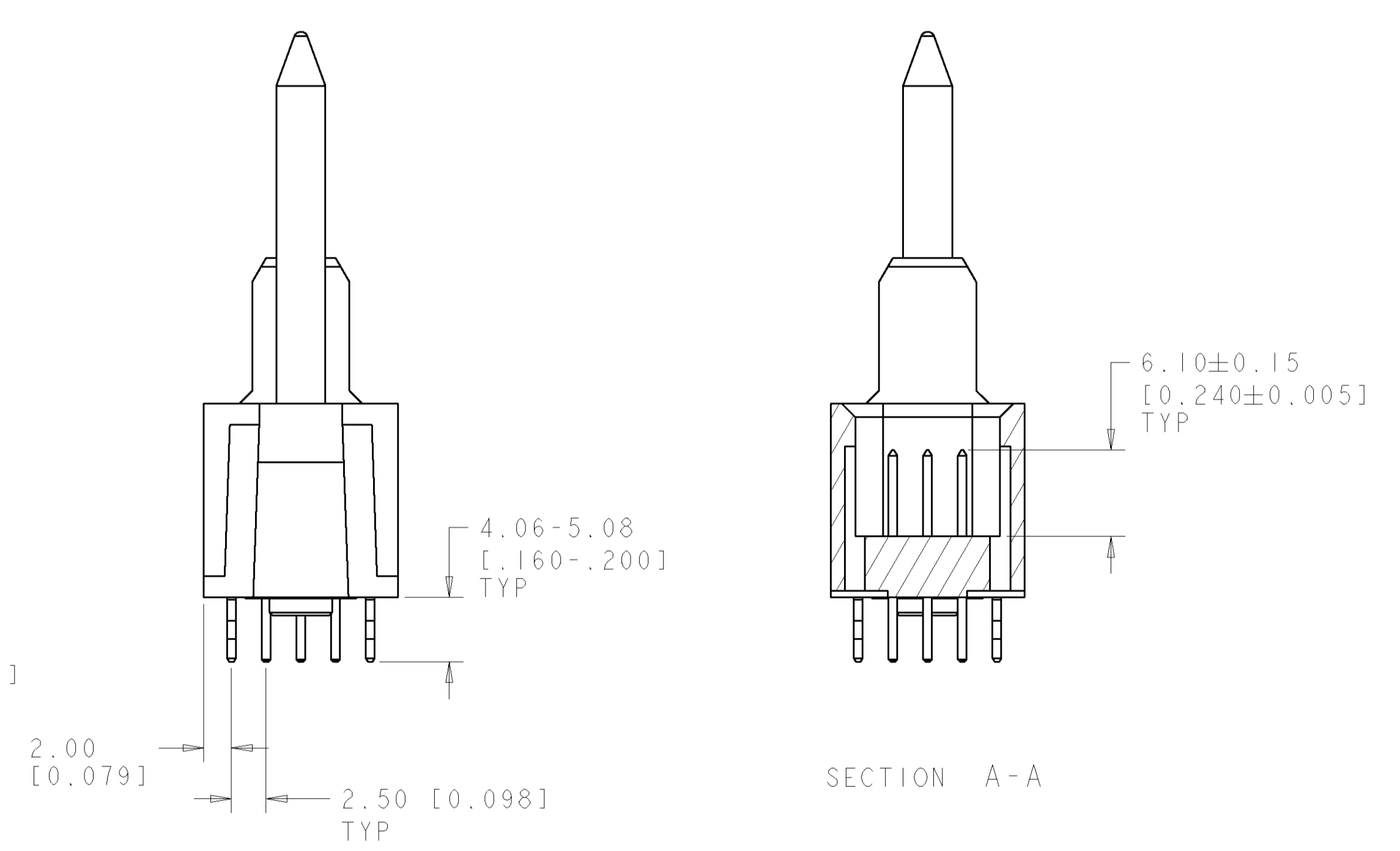
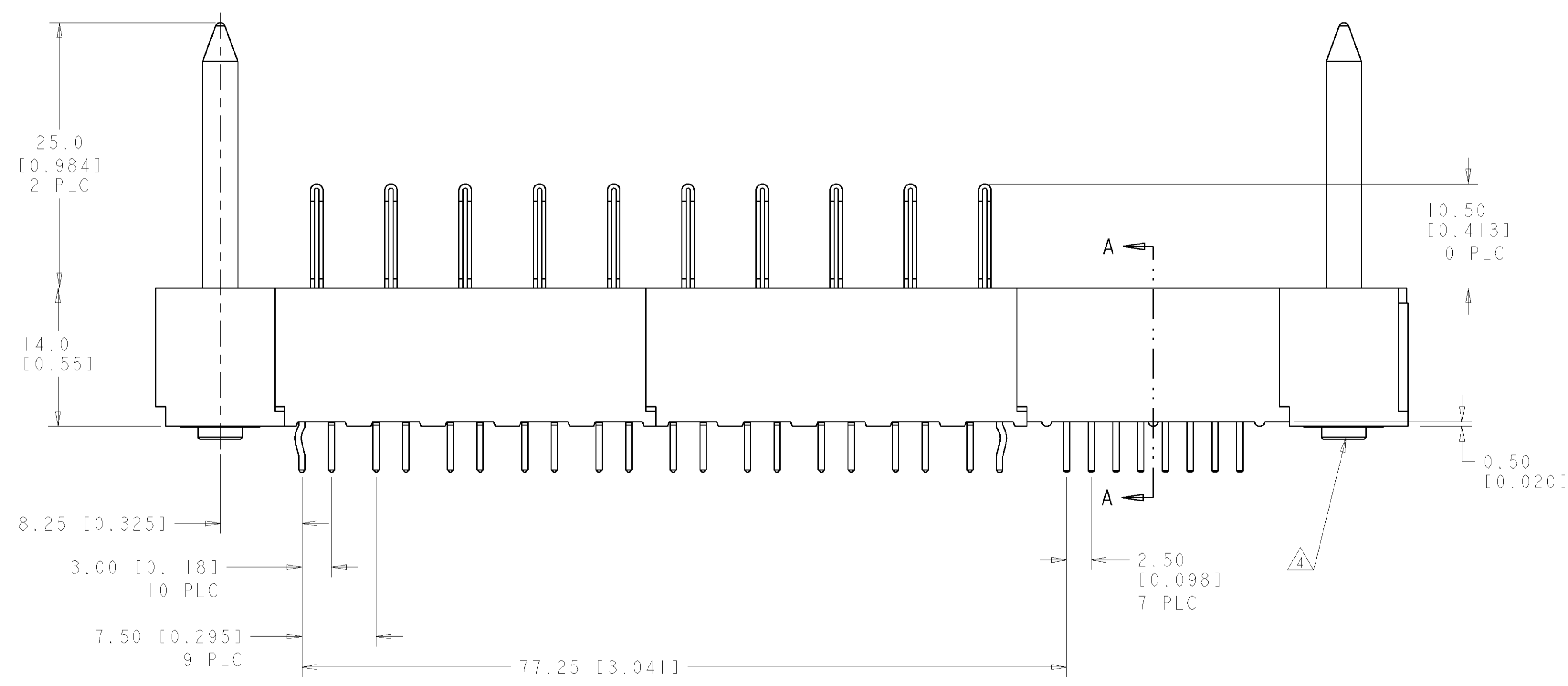
3. FINISH:
 CONTACTS - GOLD PLATE .000030" INCH MIN. THK., OVER NICKEL
 .000050" INCH MIN. THK
 SOLDER TAILS, TIN .000100" INCH MIN. THK. OVER NICKEL
 .000050" MIN THK.
 GUIDE PIN - SILVER PLATE .000200" MIN THK. OVER
 NICKEL .000040" MIN THK.

4. ACTIVE GUIDE PINS ACCEPT #4-40 SCREWS, (USER SUPPLIED)

5. ITEMS PROVIDED TO THIS SPECIFICATION TO BE PERMANENTLY IDENTIFIED PER THE FOLLOWING IDENTIFIER LABEL

YEAR WEEK
 TYCO PART NO. DATE CODE (e.g. 0106)
 XXXXXXXX-X XXXX

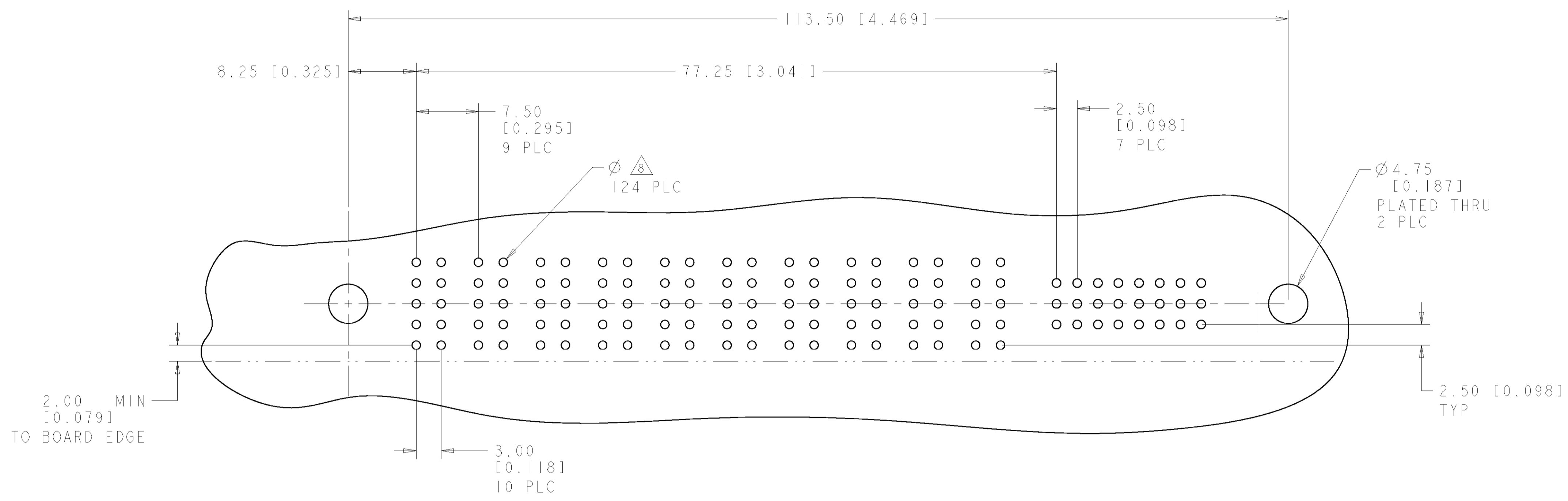
6. MATES WITH TYCO PN 6648040-1.



ELCON FLATPAQ

DIMENSIONS: mm [INCHES]		TOLERANCES UNLESS OTHERWISE SPECIFIED:		DWN R. GRZYBOWSKI 29AUG06		AS SHOWN 6646655-2	
0 PLC	±	0.15 (0.005)	APVD S. FLICKINGER 29AUG06	ECHK S. FLICKINGER 29AUG06		DESCRIPTION PART NUMBER	
1 PLC	±0.3 (0.013)		NAME		TYCO Electronics Tyco Electronics Harrisburg, PA 17105-3608		
2 PLC	±0.15 (0.005)		PRODUCT SPEC		STRAIGHT PIN CONNECTOR, SOLDER TAILS FLATPAQ		
3 PLC	±0.00		APPLICATION SPEC		SIZE CAGE CODE DRAWING NO RESTRICTED TO		
4 PLC	±0.0000		WEIGHT		A100779C=6646655		
ANGLES	±	5	CUSTOMER DRAWING		SCALE 2:1 SHEET 1 OF 3 REV A		

LOC	DIST	P	LTR	DESCRIPTION	DATE	DNW	APVD
GP	00	-	-	SEE SHEET 1	-	-	-



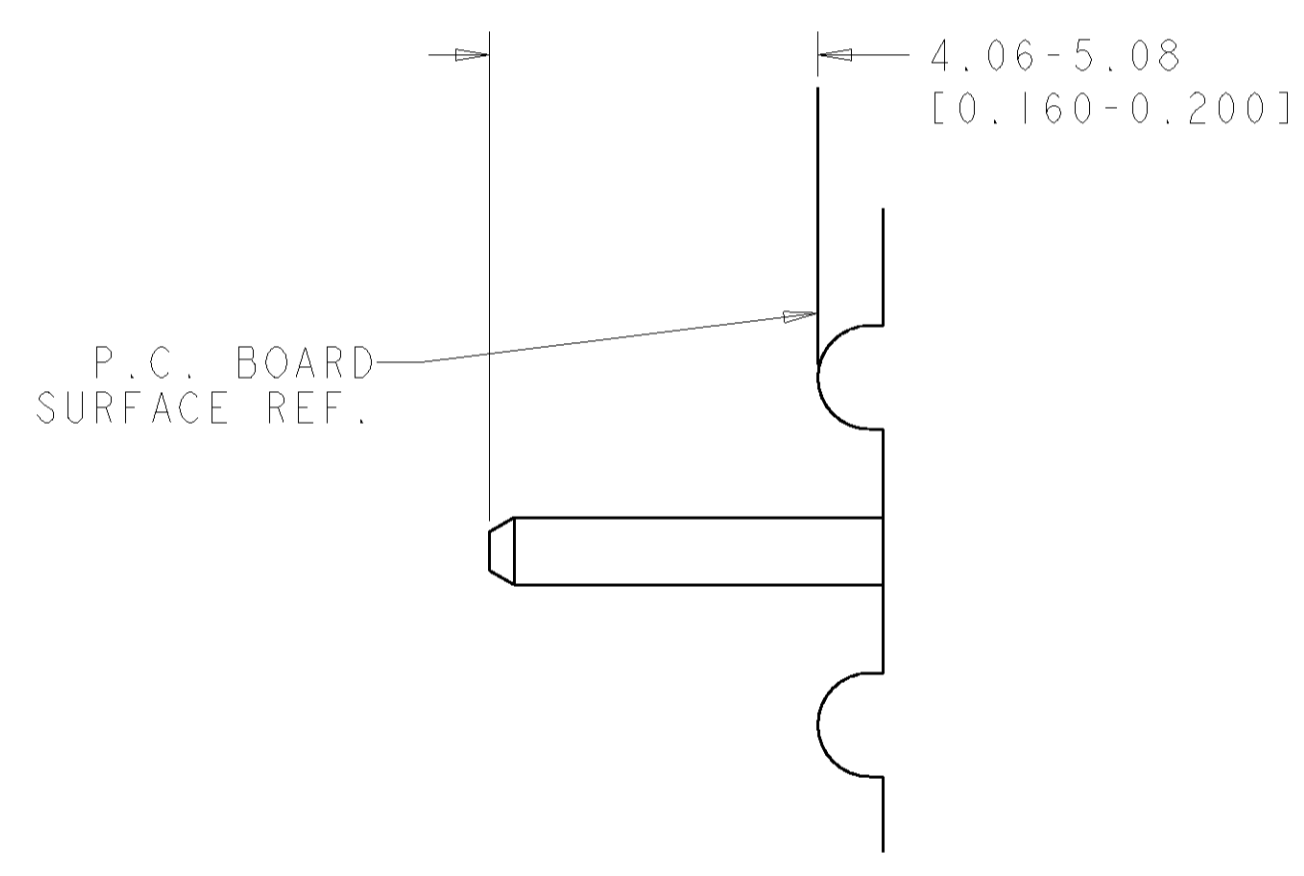
PRINTED CIRCUIT LAYOUT
 COMPONENT SIDE

CONNECTOR	CATALOG MODULE #	QTY	SIZE NO.	CONTACT QTY	MATING PIN	MAX. CURRENT (PER CONTACT)	CONTACT SPACING	VOLTAGE RATING
PIN	FPI01	10	8	10	1.25 X 7.00 [.049 X .276]	35 amps	7.50 [.2953]	250 VOLTS
	FP300	1	22	24	.64 [.025] SQ.	3 AMPS	2.50 [.0984]	125 VOLTS
	FP517	2	ACTIVATED STRAIGHT GUIDE PIN					

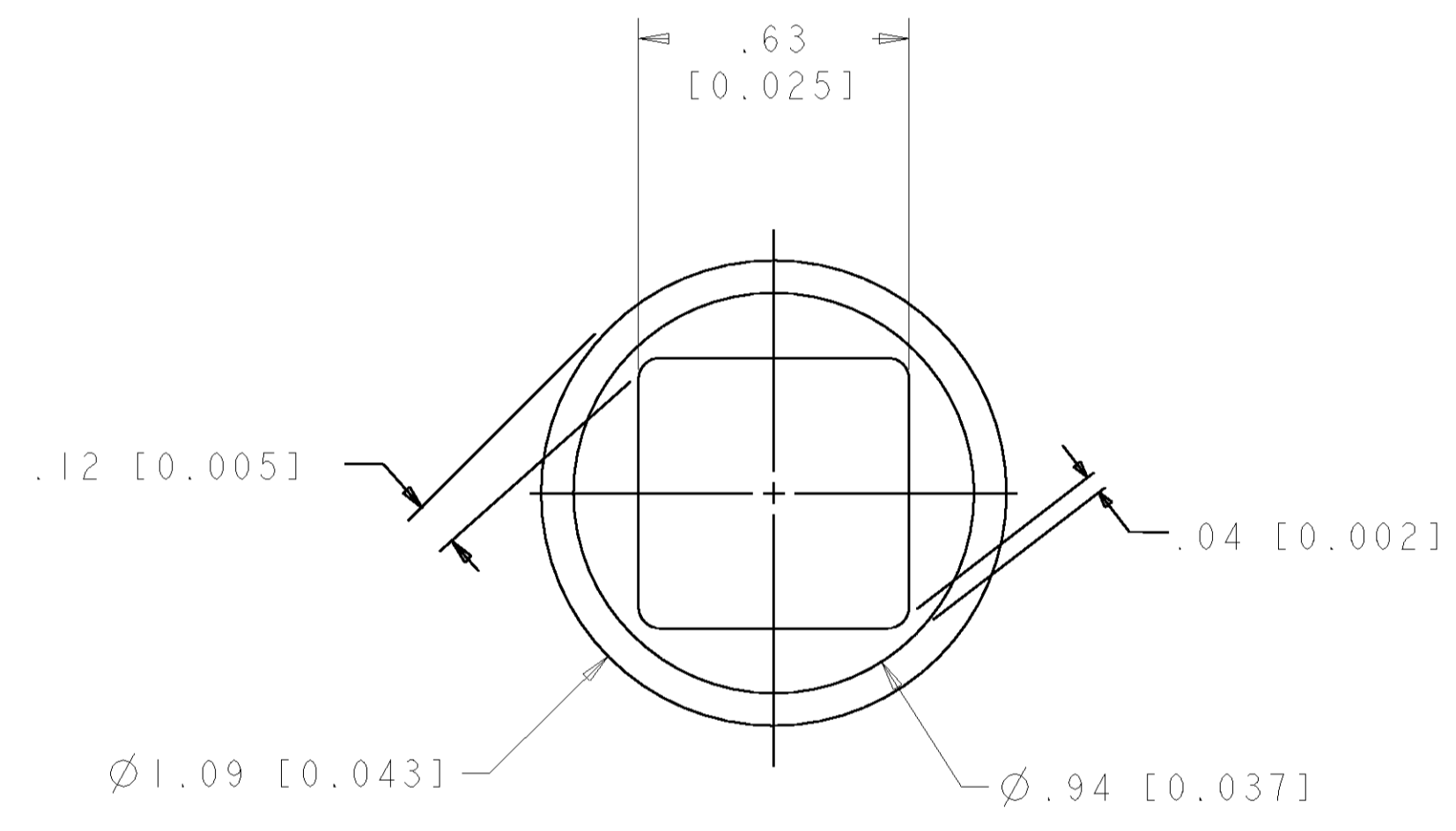
ELCON FLATPAQ

<small>THE DIMENSIONS OF CONNECTORS SPECIFIED FROM THIS DRAWING ARE FOR INFORMATION ONLY. THE DIMENSIONS TO BE USED FOR THE DESIGN AND CONSTRUCTION OF THE ORGANIZATION SHALL BE CONTACTED FOR THE CORRECT POSITION.</small>		DWN: R. GRZYBOWSKI 29AUG06 ENR: S. FLICKINGER 29AUG06 APVD: S. FLICKINGER 29AUG06	tyco Tyco Electronics Harrisburg, PA 17105-3608
DIMENSIONS: mm [INCHES] 	TOLERANCES UNLESS OTHERWISE SPECIFIED: 0 PLC ± 1 PLC ±0.3 (0.013) 2 PLC ±0.15 (0.005) 3 PLC ±0.000 4 PLC ±0.000 ANGLES ± 5	PRODUCT SPEC: - APPLICATION SPEC: - WEIGHT: - FINISH: -	NAME: STRAIGHT PIN CONNECTOR, SOLDER TAILS, FLATPAQ SIZE: A 00779 C=6646655 RESTRICTED TO: -
MATERIAL: -		CUSTOMER DRAWING	
SCALE: 2:1		SHEET 2 OF 3 REV A	

LOC	DIST	REVISIONS					
		P.	LTR	DESCRIPTION	DATE	DWN	APVD
GP	00	-	-	SEE SHEET 1	-	-	-



7. SOLDER PIN DETAIL
 SCALE 10 : 1



SOLDER TERMINATION AREA
 SCALE 40:1
 RECOMMENDED PRINTED CIRCUIT SOLDER HOLE
 FINISHED HOLE: $\phi 1.02 [0.040] \pm .008 [0.0003]$
 DRILLED HOLE: $\phi 1.15 [0.0453] \pm .013 [0.0005]$
 COPPER PLATE: .025 [0.0010] MIN
 TIN PLATE: .008 [0.0003] MIN. (PER SURFACE)

<small>THE INFORMATION CONTAINED HEREIN IS UNCLASSIFIED EXCEPT WHERE SHOWN OTHERWISE. IT IS THE PROPERTY OF TYCO ELECTRONICS CORPORATION AND IS TO BE CONTAINED AND CONTROLLED BY THE USER'S ORGANIZATION. IT IS TO BE RETURNED TO TYCO ELECTRONICS CORPORATION UPON REQUEST.</small>		DWN R. GRZYBOWSKI 29AUG06 CHK S. FLICKINGER 29AUG06 APVD S. FLICKINGER 29AUG06	Tyco Electronics Harrisburg, PA 17105-3608
DIMENSIONS: mm [INCHES]	TOLERANCES UNLESS OTHERWISE SPECIFIED:	PRODUCT SPEC APPLICATION SPEC	NAME STRAIGHT PIN CONNECTOR, SOLDER TAILS FLATPAQ
0 PLC ± 1 PLC ±0.3 (0.013) 2 PLC ±0.15 (0.005) 3 PLC ±0.000 4 PLC ±0.0000 ANGLES ± 5	FINISH -	WEIGHT -	SIZE CAGE CODE DRAWING NO A100779 C=6646655
MATERIAL -		CUSTOMER DRAWING	RESTRICTED TO SCALE 2:1 SHEET 3 OF 3 REV A

X-ON Electronics

Largest Supplier of Electrical and Electronic Components

Click to view similar products for [Power to the Board](#) category:

Click to view products by [TE Connectivity](#) manufacturer:

Other Similar products are found below :

[10131318-08512GRLF](#) [6450171-4](#) [6450552-7](#) [6600323-8](#) [6643429-1](#) [6646040-2](#) [6651939-1](#) [6766604-1](#) [120959-1](#) [1393557-2](#) [1393532-2](#)
[1393532-3](#) [1393532-4](#) [1393557-1](#) [1600812-5](#) [1-6450861-2](#) [1645595-1](#) [1743490-1](#) [1744132-7](#) [1761122-1](#) [1766169-1](#) [1766250-1](#) [18362](#)
[1892109-1](#) [1-967627-6](#) [2226808-1](#) [2-6450860-5](#) [2-6450860-6](#) [2-6450870-0](#) [93003-0502](#) [953552-1](#) [1-6450161-4](#) [1-6450850-6](#) [1645526-2](#) [1-](#)
[6600130-0](#) [1743419-1](#) [1766150-1](#) [2005243-2](#) [211110-1](#) [2-6600130-2](#) [TE34-12-16P-F0](#) [51700-10201602AALF](#) [5-6450830-6](#) [5646956-4](#)
[36662-0005](#) [40585-3000](#) [4-6450830-9](#) [4-6600333-3](#) [51142-0214](#) [10125416-4050LF](#)