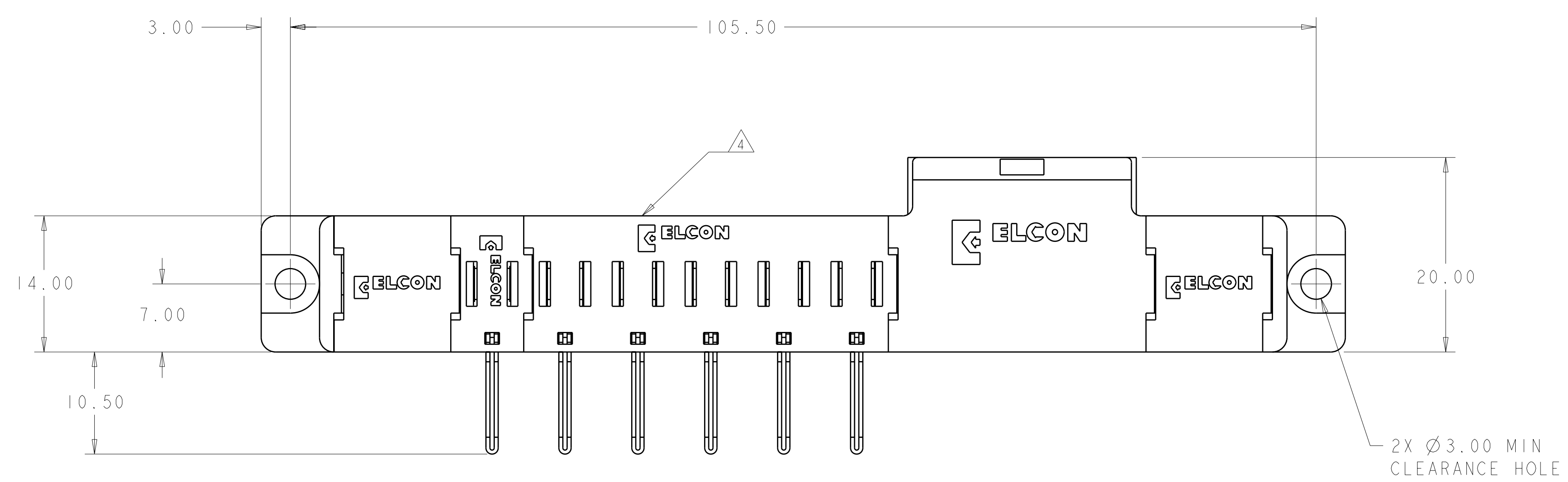


LOC		DIST		REVISIONS			
P	LTB	DESCRIPTION	DATE	DWN	APVD		
A		NEW RELEASE	05NOV2008	CR	PD		



- PART NUMBER CHANGES AND OR DESIGN CHANGES AFFECTING ITEM INTERCHANGEABILITY REQUIRE PRIOR TYCO ELECTRONICS APPROVAL AND AUTHORIZATION BY REVISION TO THIS DRAWING.
- MATERIAL:
  - INSULATORS: THERMOPLASTIC, GLASS REINFORCED, COLOR: BLACK, UL94V-0 FLAMMABILITY RATED.
  - POWER CONTACTS: PHOSPHOR BRONZE ALLOY, COPPER ALLOY
  - CROWN BAND: BERYLLIUM COPPER ALLOY
- FINISH:
  - CONTACTS: GOLD PLATE 0.76µm MIN. THK OVER NICKEL 1.27µm MIN. THK
  - SOLDER TAILS: TIN 3.05µm MIN. THK OVER NICKEL 1.27µm MIN THK.

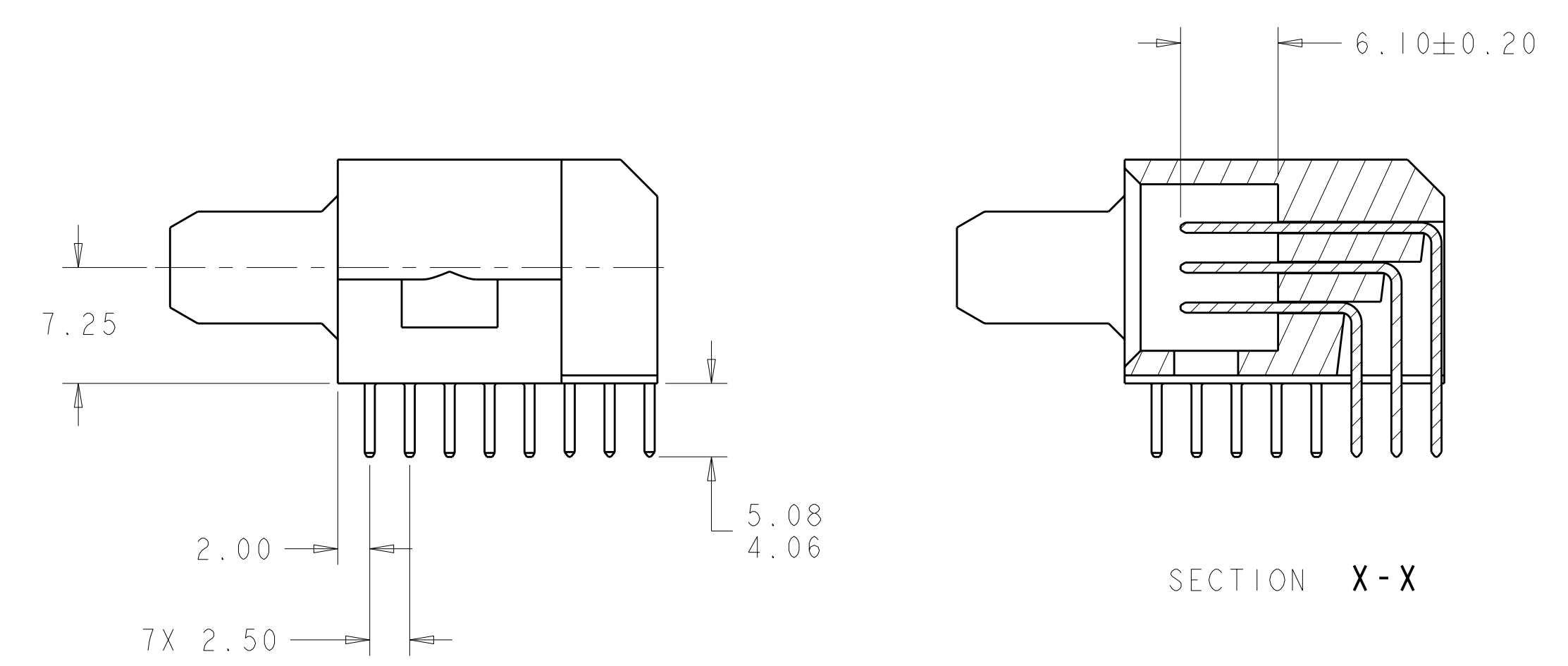
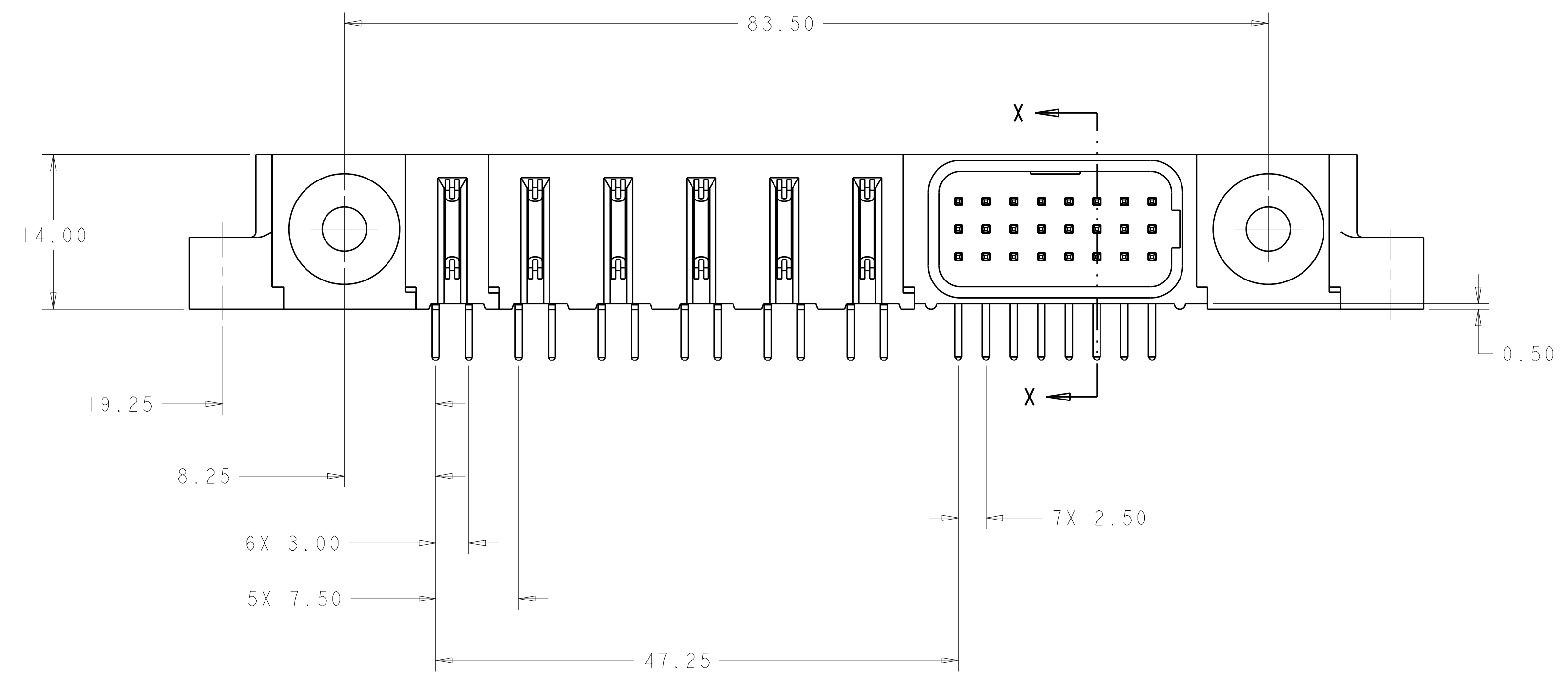
△ ITEMS PROVIDED TO THIS SPECIFICATION TO BE PERMANENTLY IDENTIFIED PER THE FOLLOWING IDENTIFIER LABEL

YEAR | WEEK

TYCO ELECTRONICS P/N      DATE CODE (e.g. 0106)

XXXXXXXX-X      XXXX

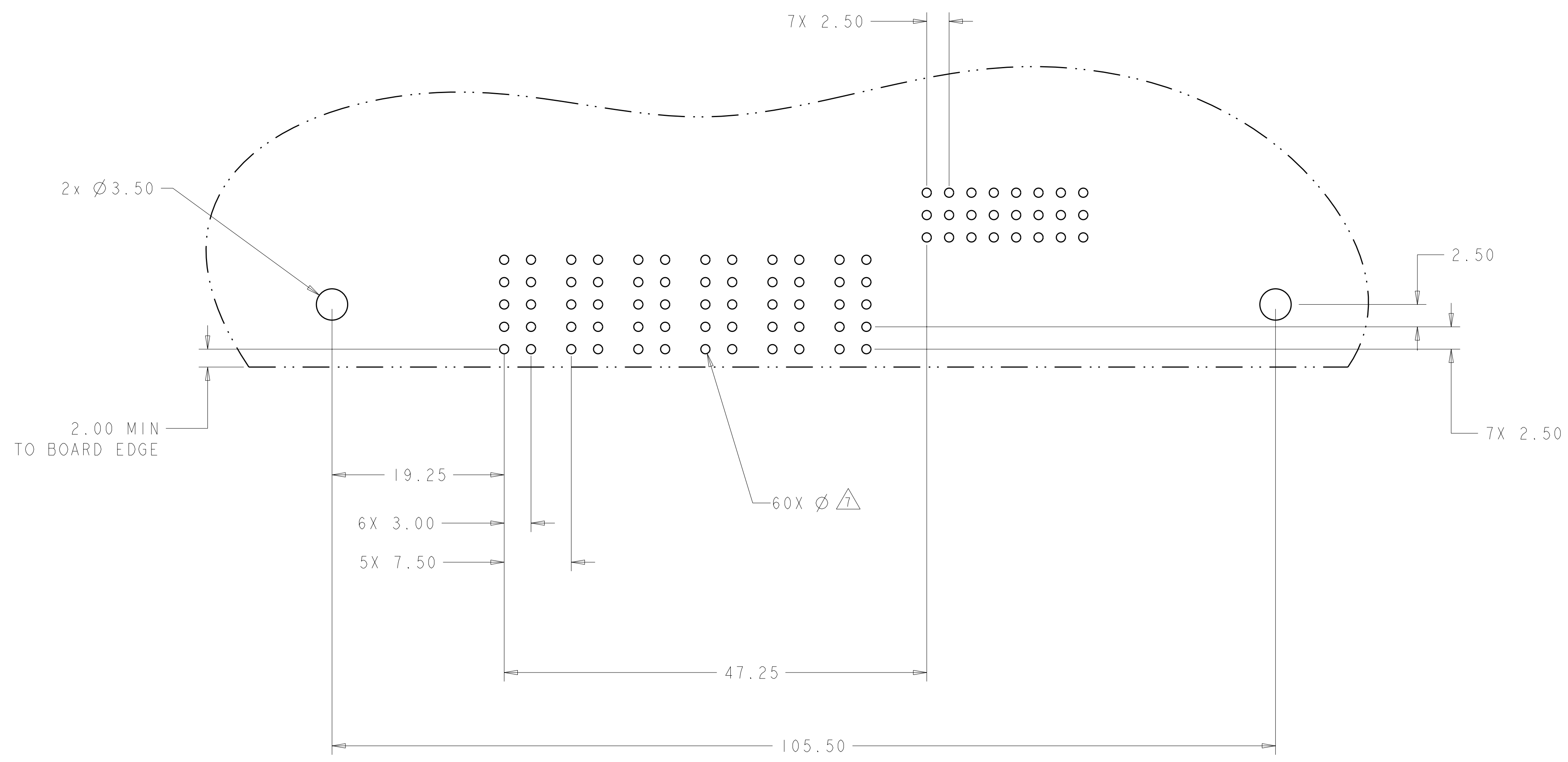
△ MOUNTING FLANGE ACCEPTS M3 OF NO.4 SCREWS. (USER SUPPLIED)



**ELCON** **FLATPAQ**

DIMENSIONS:		TOLERANCES UNLESS OTHERWISE SPECIFIED:		DWN C. ROHLER 05NOV2008		AS SHOWN		6646979-1	
INCHES		0 PLC ±.5		CHK P. DAMATO 05NOV2008		DESCRIPTION		PART NO.	
		1 PLC ±.5		APVD M. PERCHERIE 05NOV2008		Tyco Electronics		Tyco Electronics	
		2 PLC ±.25		PRODUCT SPEC		Harrisburg, PA 17105-3608			
		3 PLC ±.25		APPLICATION SPEC		NAME		CONNECTOR, PIN	
		4 PLC ±.25		WEIGHT		SIZE		RIGHT ANGLE, SOLDER TAILS	
		ANGLES ±.5		CUSTOMER DRAWING		A100779		FLATPAQ	
		FINISH		SCALE		CAGE CODE		DRAWING NO	
				1:1		A100779		6646979	
				SHEET		RESTRICTED TO			
				1 OF 3					
				REV				A	

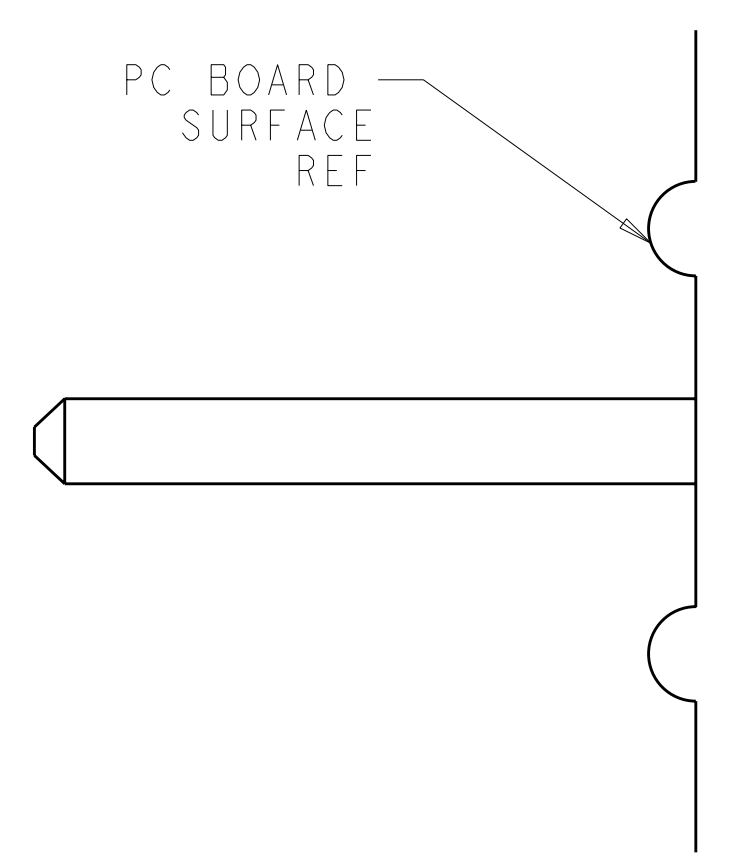
LOC		DIST		REVISIONS			
				DESCRIPTION	DATE	DWN	APVD
-	-	-	-	SEE SHEET 1	-	-	-



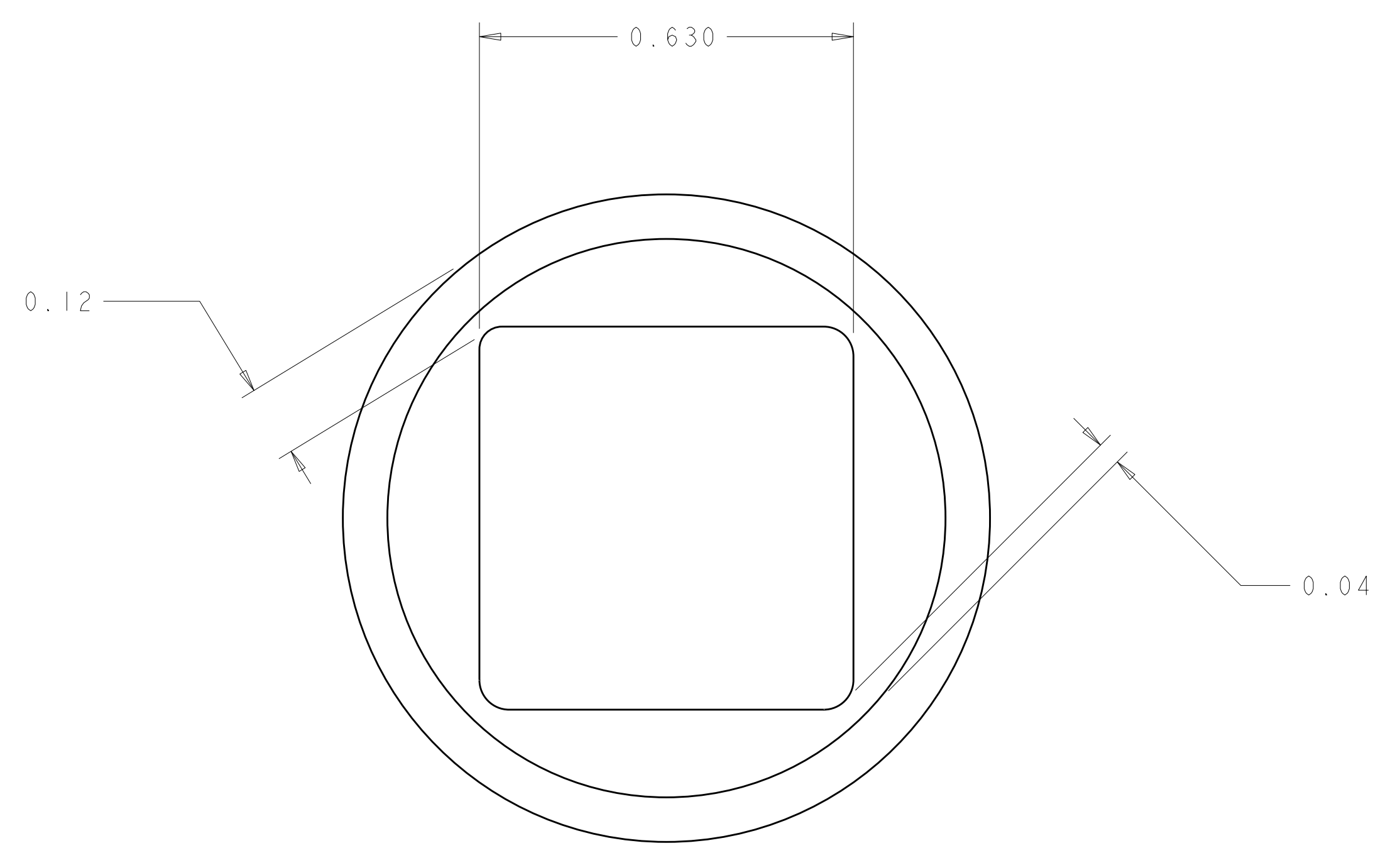
CONNECTOR	CATALOG MODULE #	QTY	SIZE NO.	CONTACT QTY	MATING PIN	MAX. CURRENT (PER CONTACT)	CONTACT SPACING	VOLTAGE RATING
PIN	FP122	6	8	12	1.25 X 7.00	35 amps	7.50	250 VOLTS
	FP302	1	22	24	.64 SQ.	3 amps	2.50	125 VOLTS
	FP500	1	LEFT MOUNTING FLANGE					
	FP501	1	RIGHT MOUNTING FLANGE					
	FP506	2	GUIDE SOCKET, RIGHT ANGLE					

DIMENSIONS: INCHES 		TOLERANCES UNLESS OTHERWISE SPECIFIED: 9 PLC ±.5 1 PLC ±.5 5 PLC ±.25 4 PLC ±. ANGLES ±.5 FINISH -		DWN C. ROHLER 05NOV2008 CHK P. DAMATO 05NOV2008 APVD M. PERCHERIE 05NOV2008		Tyco Electronics Harrisburg, PA 17105-3608	
MATERIAL - FINISH -		WEIGHT - CUSTOMER DRAWING		NAME CONNECTOR, PIN RIGHT ANGLE, SOLDER TAILS FLATPAQ		SIZE CAGE CODE DRAWING NO. RESTRICTED TO A 100779 C-6646979 -	
SCALE 3:1 SHEET 2 OF 3 REV A				DATE 05NOV2008			

LOC	DIST	REV	DATE	BY	APPD
-	-	1			
		2			
		3			



6. SOLDER TAIL DETAIL  
SCALE 10:1



△ SOLDER TERMINATION AREA  
 SCALE 40:1  
 RECOMMENDED PRINTED CIRCUIT SOLDER HOLE  
 FINISHED HOLE:  $\varnothing 1.02 \pm .08$   
 DRILLED HOLE:  $\varnothing 1.15 \pm .013$   
 COPPER PLATE: .025 MIN  
 TIN PLATE: .008 MIN. (PER SURFACE)

<small>THIS DRAWING IS UNPUBLISHED. RELEASED FOR PUBLICATION. ALL RIGHTS RESERVED. THIS IS SUBJECT TO CHANGE WITHOUT NOTICE AND WITHOUT OBLIGATION. SHOULD BE CONTACTED FOR THE LATEST REVISION.</small>		DWN C. ROHLER 05NOV2008 CHK P. DAMATO 05NOV2008 APVD M. PERCHERMI 05NOV2008	Tyco Electronics Harrisburg, PA 17105-3608
DIMENSIONS: INCHES 	TOLERANCES UNLESS OTHERWISE SPECIFIED: 0 PLC ±.5 1 PLC ±.5 2 PLC ±.25 3 PLC ±.25 4 PLC ±.25 ANGLES ±.5 FINISH	NAME CONNECTOR, PIN RIGHT ANGLE, SOLDER TAILS FLATPAQ	SIZE CAGE CODE DRAWING NO A100779C-6646979
MATERIAL	FINISH	WEIGHT	RESTRICTED TO
-	-	-	-
CUSTOMER DRAWING		SCALE 3:1	SHEET 3 OF 3 REV A

## X-ON Electronics

Largest Supplier of Electrical and Electronic Components

*Click to view similar products for [Heavy Duty Power Connectors](#) category:*

*Click to view products by [TE Connectivity](#) manufacturer:*

Other Similar products are found below :

[1424439](#) [1424438](#) [09330062652](#) [2-8675P1](#) [580129-2](#) [605601-1](#) [6340G1](#) [6341G1](#) [6360G1](#) [6373G1](#) [6374g2](#) [6396G1](#) [647757-1](#) [66394-4](#)  
[6643411-1](#) [6646058-2](#) [6646137-1](#) [6646138-1](#) [6646348-1](#) [6646479-1](#) [6646608-1](#) [6646786-1](#) [6646940-1](#) [6651091-1](#) [6651525-1](#) [6651529-1](#)  
[6651778-1](#) [6651788-1](#) [696465-1](#) [696475-1](#) [73000005059](#) [73000005349](#) [73000005642](#) [73080255059](#) [73080965046](#) [765-15-0080A](#)  
[765-16-0080B](#) [789.700-44](#) [789.700-54](#) [80-1010](#) [80-9](#) [827381-1](#) [829992-1](#) [902-77-02113](#) [PL00U-301-10D10](#) [PM103MOOLOO](#)  
[PM16S1620S32-50](#) [PM212MOOLOO](#) [PM309FOOLOO](#) [PM324FOOLCH](#)