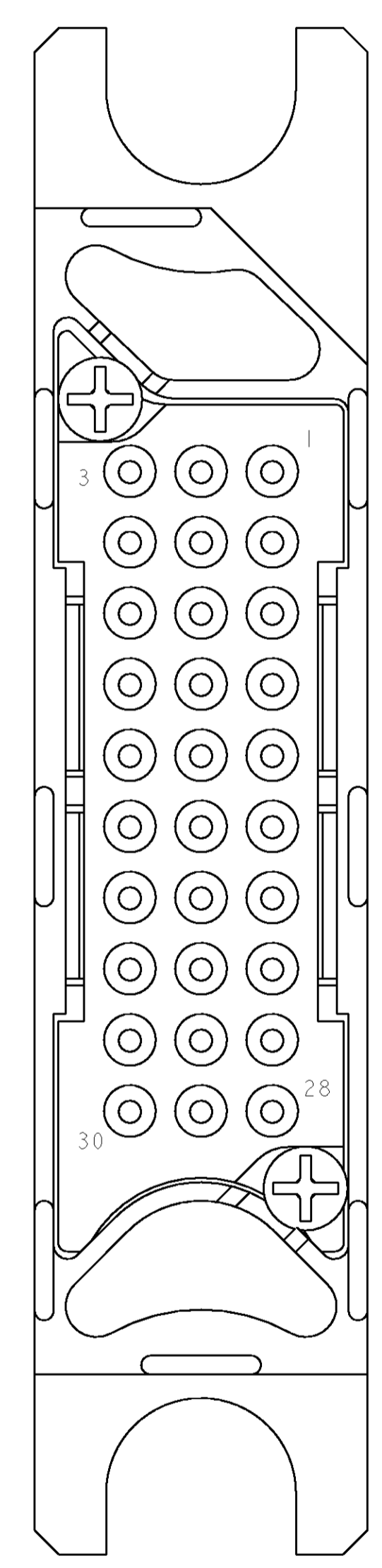
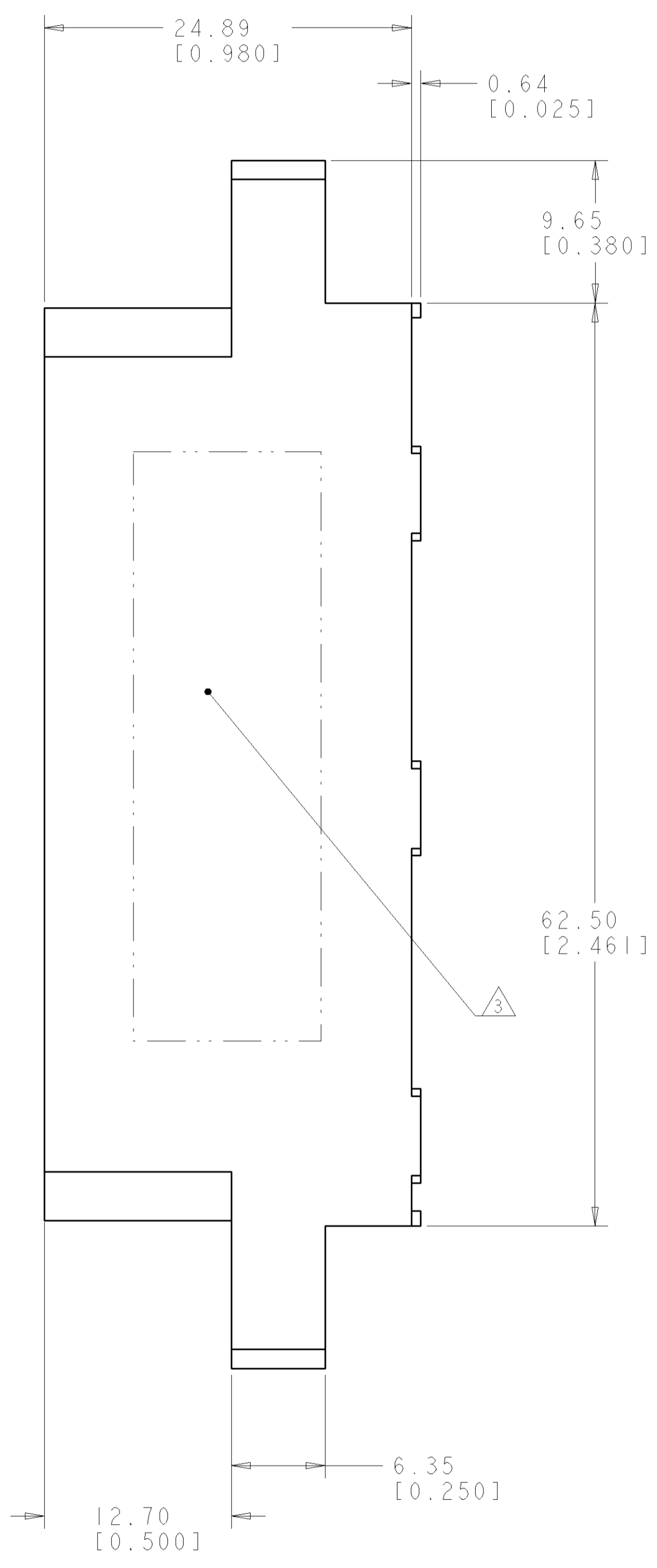
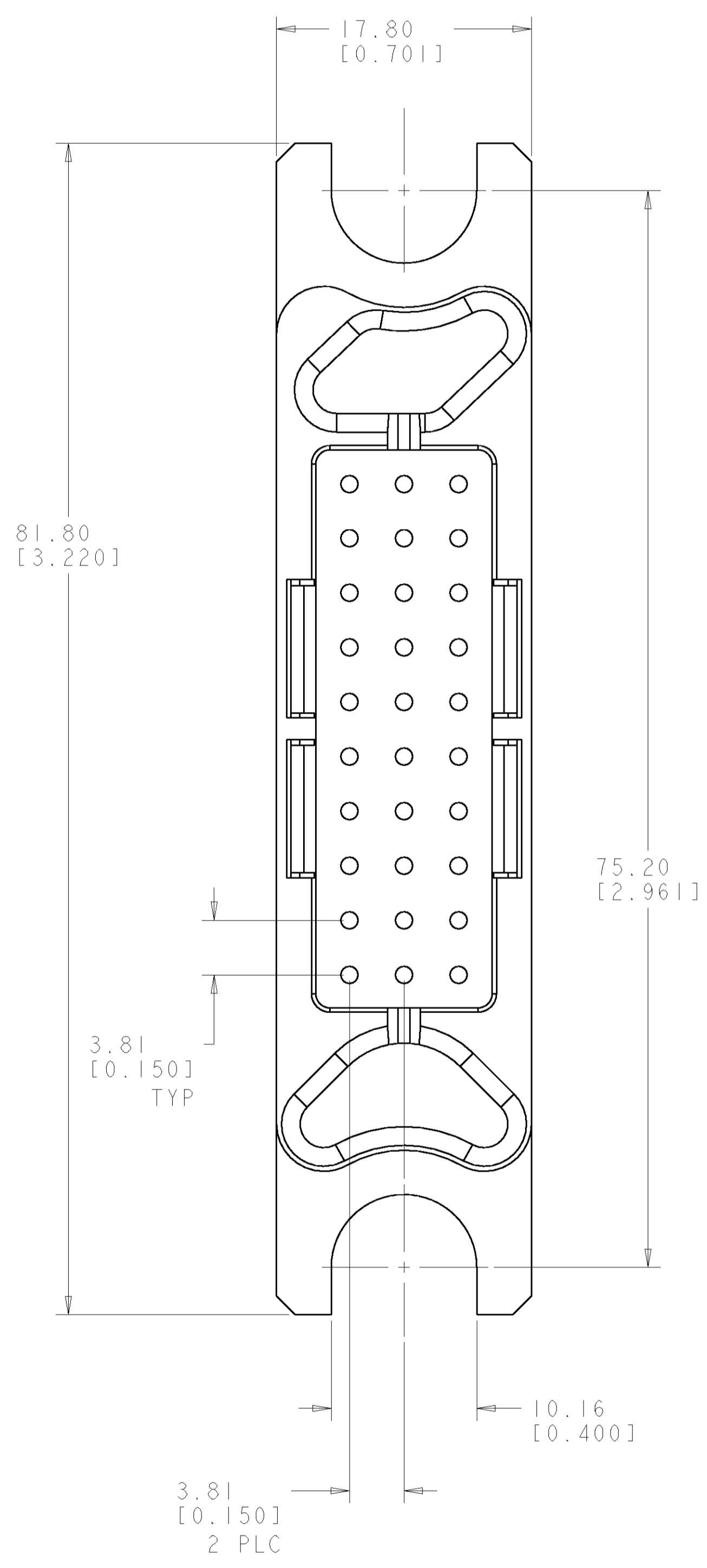


LOC		DIST		REVISIONS			
GP	00	P	LTR	DESCRIPTION	DATE	DWN	APVD
		A		RELEASED	19SEP106	RG	SF



- PART NUMBER CHANGES AND OR DESIGN CHANGES AFFECTING THE INTERCHANGEABILITY REQUIRE PRIOR TYCO APPROVAL AND AUTHORIZATION BY REVISION TO THIS DRAWING.
- MATERIAL:
 INSULATOR: THERMOPLASTIC, GLASS REINFORCED,
 FLAMMABILITY RATED, COLOR: BLACK
 RETENTION CLIPS: BERYLLIUM COPPER OR STAINLESS STEEL

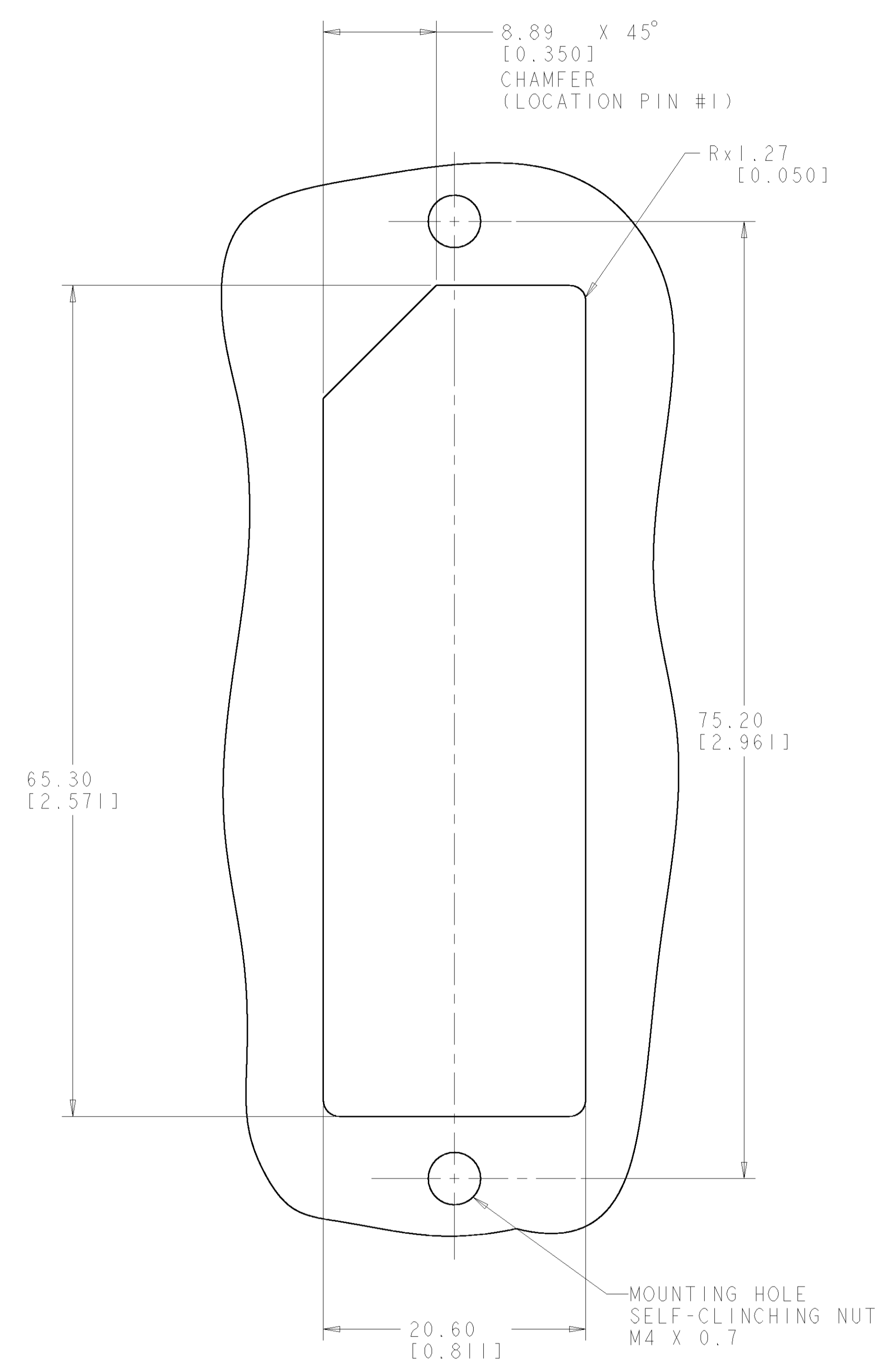
△ ITEMS PROVIDED TO THIS SPECIFICATION TO BE PERMANENTLY IDENTIFIED PER THE FOLLWING IDENTIFIER:

YEAR | WEEK
 TYCO PART NUMBER | DATE CODE (e.g. 0216)
 XXXXXXXX-X | XXXX

ELCON MINI DRAWER

DIMENSIONS: mm [INCHES]		TOLERANCES UNLESS OTHERWISE SPECIFIED:		DWN: R. GRZYBOWSKI 19SEP106		ECHK: S. FLICKINGER 19SEP106		APVD: S. FLICKINGER 19SEP106		NAME: S. FLICKINGER		tyco Tyco Electronics Harrisburg, PA 17105-3608	
0 PLC	±	1 PLC	±.5 (.020)	PRODUCT SPEC		APPLICATION SPEC		SIZE: A		CAGE CODE: 00779		DRAWING NO: 6648190	
2 PLC	±.5 (.020)	3 PLC	±.25 (.010)	WEIGHT		CUSTOMER DRAWING		SCALE: 4:1		SHEET: 1 OF 2		REV: A	
4 PLC	±	ANGLES	±										

LOC	DIST	REVISIONS			
P	LTR	DESCRIPTION	DATE	DWN	APVD
-	-	SEE SHEET 1	-	-	-



SUGGESTED PANEL CUTOUT
 VIEW FROM CONNECTOR MOUNTING SIDE

ELCON MINI DRAWER

<small>THIS DRAWING IS UNPUBLISHED. RELEASED FOR PUBLICATION BY TICO ELECTRONICS CORPORATION. ALL RIGHTS RESERVED.</small>		DWN: B. GRZYBOWSKI 19SEPT06 CHK: S. FLICKINGER 19SEPT06 APVD: S. FLICKINGER 19SEPT06	tyco Electronics Tyco Electronics Harrisburg, PA 17105-3608
DIMENSIONS: mm [INCHES]	TOLERANCES UNLESS OTHERWISE SPECIFIED: 0 PLC ±. 1 PLC ±.5 (.020) 2 PLC ±.25 (.010) 3 PLC ±. 4 PLC ±. ANGLES ±.	PRODUCT SPEC: APPLICATION SPEC: WEIGHT: - FINISH: -	NAME: CONNECTOR, PIN 30 POSN. MINI DRAWER SIZE: A 00779 C=6648190 RESTRICTED TO: - SCALE: 4:1 SHEET 2 OF 2 REV A
MATERIAL: - FINISH: -		CUSTOMER DRAWING	SCALE: 4:1 SHEET 2 OF 2 REV A

X-ON Electronics

Largest Supplier of Electrical and Electronic Components

Click to view similar products for [Heavy Duty Power Connectors](#) category:

Click to view products by [TE Connectivity](#) manufacturer:

Other Similar products are found below :

[647757-1](#) [6643411-1](#) [6646058-2](#) [6646137-1](#) [6646138-1](#) [6646479-1](#) [6646608-1](#) [6646786-1](#) [6646940-1](#) [6651091-1](#) [6651525-1](#) [6651529-1](#)
[6651788-1](#) [696475-1](#) [702-32-01109](#) [703-25-02205](#) [73000005059](#) [73000005642](#) [73080255059](#) [73080965046](#) [765-15-0080A](#) [765-16-0080B](#)
[765-18-0080D](#) [829992-1](#) [902-77-02113](#) [PS00/A0620/6300](#) [PS25/A0420/63](#) [129-1J](#) [1409400](#) [AN0024023](#) [E6374G1](#) [e6389g2](#) [157-43GW8](#)
[MS3117-14AC](#) [1643543-1](#) [1650540-1](#) [1651811-2](#) [1766260-1](#) [1766282-1](#) [1766966-1](#) [1791340000](#) [NLDFT-3-BL-L-S120-M40A](#) [NLDFT-N-](#)
[W-L-C240-M40B](#) [NLS-2-R-C240-M40B](#) [NLS-N-W-C240-M40B](#) [NPS-3-BL-T6](#) [1986615-1](#) [2-1589900-8](#) [2199314-1](#) [KA8102](#)