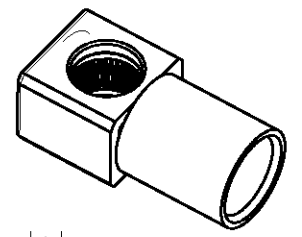
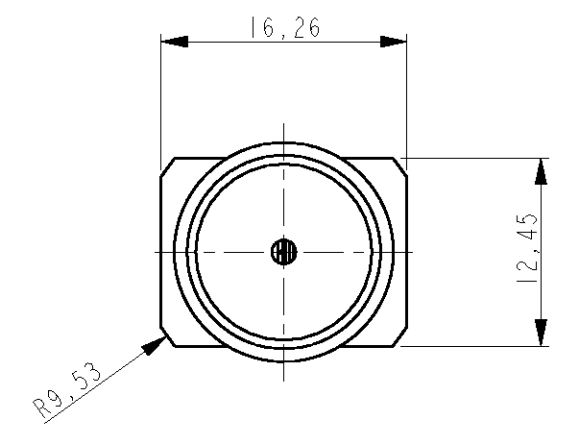
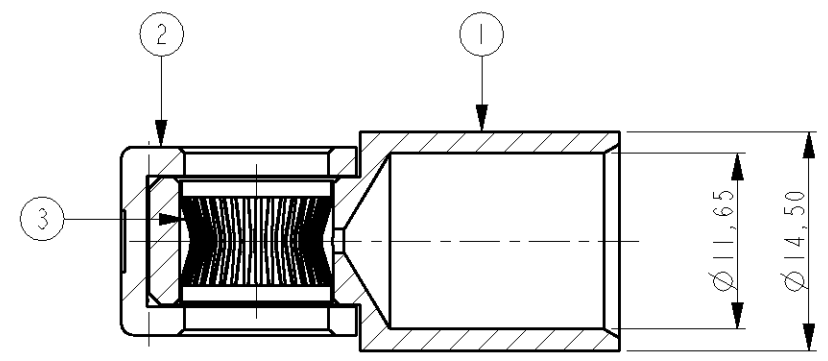
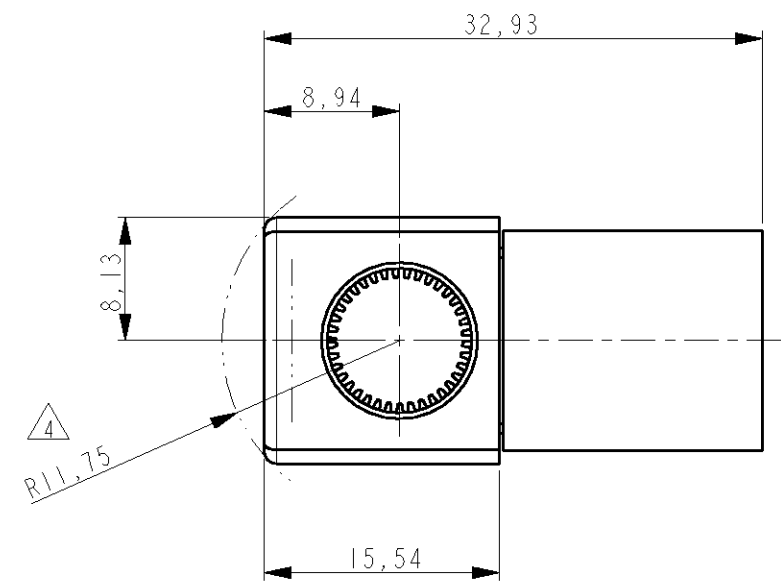


THIS DRAWING IS UNPUBLISHED. RELEASED FOR PUBLICATION 20  
 © COPYRIGHT 20 BY TYCO ELECTRONICS CORPORATION. ALL RIGHTS RESERVED.

LOC	DIST	REVISIONS				
P	LTR	DESCRIPTION	DATE	DWN	APVD	
H	-	B	FIRST ISSUE	22AUG2007	JV	RL

NOTES:

- 1 ITEMS PROVIDED TO THIS SPECIFICATION SHALL BE IDENTIFIED ON THE CONTAINER WITH THE FOLLOWING INFORMATION: PART NUMBER & DATE CODE OF MFR.
- 2 MATERIALS:  
 SOCKET BODY: TeCu  
 CROWN CONTACT: BeCu  
 HOUSING: THERMOPLASTIC, 94V-0, COLOR PER TABLE
- 3 FINISHES:  
 SOCKET BODY: SILVER PLATING: MIN. 5µm  
 OVER MIN. 1µm NICKEL.  
 CROWN CONTACT: GOLD PLATING: MIN. 0.75µm  
 OVER MIN. 1µm NICKEL.
- 4 ROTATION ARC.
- 5 FOR TERMINATION REFER TO 1926079-1
- 6 MAXIMUM CABLE DIAMETER NOT TO EXCEED 1/2"



SCALE 1:1

6648234-3	BLUE
6648234-2	RED
6648234-1	BLACK

ITEM NO.	DESCRIPTION	QUANT.
3	CROWN, CONTACT, SIZE #0	1
2	HOUSING, CROWN SOCKET, SIZE #2	1
1	CONTACT SOCKET BODY, RIGHT ANGLE, SIZE #0	1

THIS DRAWING IS A CONTROLLED DOCUMENT FOR TYCO ELECTRONICS CORPORATION  
 IT IS SUBJECT TO CHANGE AND THE CONTROLLING ENGINEERING ORGANIZATION  
 SHOULD BE CONTACTED FOR THE LATEST REVISION.

DIMENSIONS:	TOLERANCES UNLESS OTHERWISE SPECIFIED:
mm	
0 PLC	±0,2
1 PLC	±0,1
2 PLC	±0,05
3 PLC	±0,025
4 PLC	±0,005
ANGLES	±2°
MATERIAL	FINISH

DWN	J.VOS	23-Aug-07
CHK	R.LOKKER	23-Aug-07
APVD	J.BROEKSTEEG	23-Aug-07
PRODUCT SPEC	-	
APPLICATION SPEC	-	
WEIGHT	-	
CUSTOMER DRAWING		

**Tyco Electronics** Tyco Electronics Corporation  
's-Hertogenbosch, Nederland

NAME: JUMPER, CROWN SOCKET, PIN SIZE #0 WITH #0 AWG CRIMP BARREL

SIZE	CAGE CODE	DRAWING NO	RESTRICTED TO
A3	00779	C=6648234	-

SCALE 2:1 SHEET 1 OF 1 REV B

## X-ON Electronics

Largest Supplier of Electrical and Electronic Components

*Click to view similar products for [Power to the Board](#) category:*

*Click to view products by [TE Connectivity](#) manufacturer:*

Other Similar products are found below :

[6450171-4](#) [6450552-7](#) [6600323-8](#) [6643429-1](#) [6646040-2](#) [6651939-1](#) [6766604-1](#) [120959-1](#) [1393557-2](#) [1393532-2](#) [1393532-3](#) [1393532-4](#)  
[1393557-1](#) [1600812-5](#) [1-6450861-2](#) [1744132-7](#) [1761122-1](#) [1766250-1](#) [1892109-1](#) [2-6450860-5](#) [2-6450870-0](#) [1-6450161-4](#) [1-6450850-6](#) [1-6450869-6](#) [1645526-2](#) [1-6600130-0](#) [2005243-2](#) [377-0020-11130](#) [TE34-12-16P-F0](#) [5-6450830-6](#) [5646956-4](#) [377-0080-11131A](#) [4-6450830-9](#)  
[4-6600333-3](#) [10125416-4050LF](#) [6600320-3](#) [3-6450860-5](#) [1888123-2](#) [6450166-1](#) [6643978-1](#) [6766605-1](#) [701-15-02109](#) [N11444](#) [6651938-1](#)  
[6450810-7](#) [46437-1112](#) [1-1589677-8](#) [5646956-5](#) [6450813-2](#) [6450129-4](#)