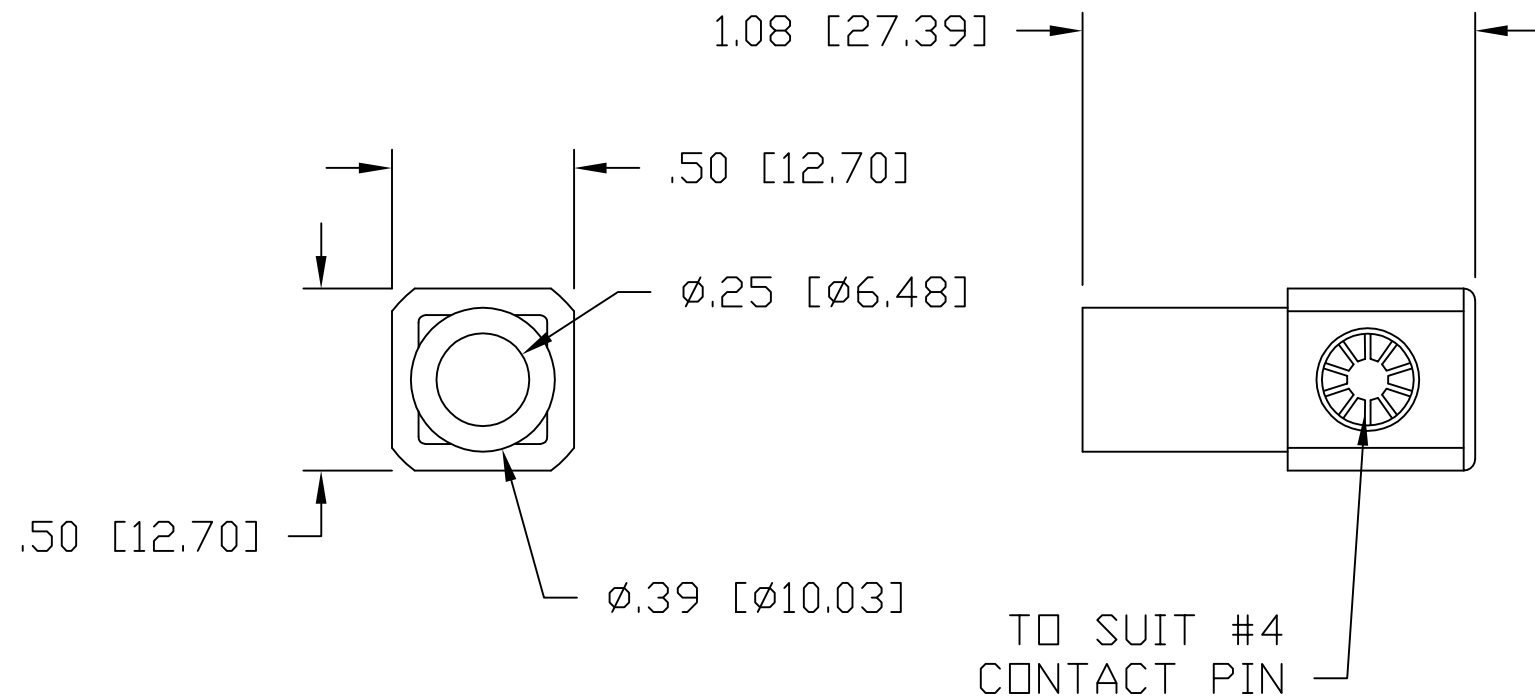


This drawing involves proprietary design rights of Tyco Electronics Corporation, and all design, manufacture, reproduction, use and sale rights regarding the same are expressly reserved. It is submitted for a specific purpose and the recipient by accepting this drawing, assumes custody and control and agrees to take reasonable precautions; (a) that this drawing will not be copied and reproduced, in whole or in part, or its contents revealed in any manner, or to any person except to meet the purpose for which it was delivered and (b) that any special features peculiar to this design will not be incorporated in other projects without the expressed written permission of Tyco Electronics Corporation.

REVISIONS			
EC	REV	DESCRIPTION	DATE
	A	NEW RELEASE	08.19.05



5. REFERENCE TYCO PART NUMBER 6648239-1

4. FINISH:

SOCKET HOUSING - SILVER PLATED

CROWN CONTACT - GOLD PLATED

INSULATOR - AS MOLDED - BLACK

3. MATERIAL:

CROWN CONTACT - BERYLLIUM COPPER ALLOY

SOCKET HOUSING - TELLURIUM COPPER ALLOY

INSULATOR - THERMOPLASTIC, UL94V-0, COLOR - BLACK

2. ITEMS PROVIDED TO THIS SPECIFICATION SHALL BE IDENTIFIED

ON THE CONTAINER WITH THE FOLLOWING INFORMATION:

PART NUMBER AND DATE CODE OF MANUFACTURE.

1. PART NUMBER CHANGES AND/OR DESIGN CHANGES AFFECTING

ITEM INTERCHANGEABILITY REQUIRE PRIOR TYCO APPROVAL

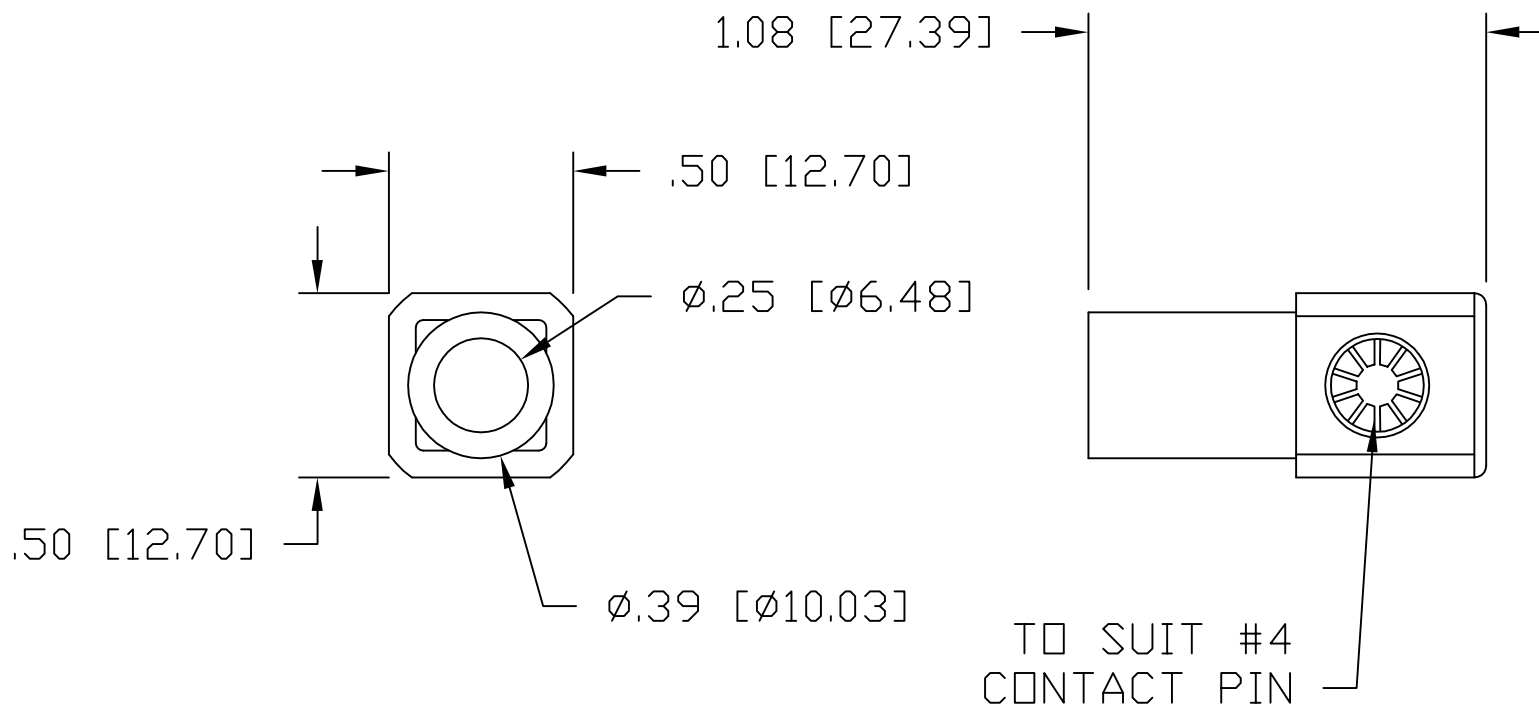
AND AUTHORIZATION BY REVISION TO THIS DRAWING.

NOTES: UNLESS OTHERWISE SPECIFIED:

INCH OR INCH (MM) THIRD ANGLE PROJECTION UNLESS OTHERWISE SPECIFIED DIMENSIONS ARE IN INCHES (METRIC) TOLERANCES ANGLES ± .5° DECIMALS .XXX ±.020 [.508] .XX ±	DRAWN LOVATO	DATE 08.19.05	Tyco Electronics Corporation Menlo Park, Ca 94025	
	CHECKED		TITLE	
	APPROVED		JUMPER, CROWN SOCKET SIZE No. 4 CROWN RIGHT ANGLE WITH No. 6 CRIMP BARREL	
	APPROVED D. CHAU	11/10/05	SIZE B	DWG NUMBER C= 6648239
DCA APPROVED M. VIZCARRA		11/10/05		
ACAD FILE NUMBER C6648239A.DWG			DWG SCALE 2=1	SH 1 OF 2

This drawing involves proprietary design rights of Tyco Electronics Corporation, and all design, manufacture, reproduction, use and sale rights regarding the same are expressly reserved. It is submitted for a specific purpose and the recipient by accepting this drawing, assumes custody and control and agrees to take reasonable precautions; (a) that this drawing will not be copied and reproduced, in whole or in part, or its contents revealed in any manner, or to any person except to meet the purpose for which it was delivered and (b) that any special features peculiar to this design will not be incorporated in other projects without the expressed written permission of Tyco Electronics Corporation.

REVISIONS			
EC	REV	DESCRIPTION	DATE
	A	NEW RELEASE	08.19.05



5. REFERENCE TYCO PART NUMBER 6648239-2

4. FINISH:

SOCKET HOUSING - SILVER PLATED

CROWN CONTACT - GOLD PLATED

INSULATOR - AS MOLDED - RED

3. MATERIAL:

CROWN CONTACT - BERYLLIUM COPPER ALLOY

SOCKET HOUSING - TELLURIUM COPPER ALLOY

INSULATOR - THERMOPLASTIC, UL94V-0, COLOR - RED

2. ITEMS PROVIDED TO THIS SPECIFICATION SHALL BE IDENTIFIED ON THE CONTAINER WITH THE FOLLOWING INFORMATION:
PART NUMBER AND DATE CODE OF MANUFACTURE.

1. PART NUMBER CHANGES AND/OR DESIGN CHANGES AFFECTING ITEM INTERCHANGEABILITY REQUIRE PRIOR TYCO APPROVAL AND AUTHORIZATION BY REVISION TO THIS DRAWING.

NOTES: UNLESS OTHERWISE SPECIFIED:

INCH MM OR INCH (MM) THIRD ANGLE PROJECTION UNLESS OTHERWISE SPECIFIED DIMENSIONS ARE IN INCHES (METRIC) TOLERANCES ANGLES ± .5° DECIMALS .XXX ±.020 [.508] .XX ±	DRAWN LOVATO	DATE 08.19.05	tyco Tyco Electronics Corporation Electronics Menlo Park, Ca 94025 ELCON
	CHECKED		
	APPROVED		TITLE JUMPER, CROWN SOCKET SIZE No. 4 CROWN RIGHT ANGLE WITH No. 6 CRIMP BARREL
	APPROVED D. CHAU	11/10/05	SIZE DWG NUMBER REV. B C= 6648239 A
	DCA APPROVED M. VIZCARRA	11/10/05	
	ACAD FILE NUMBER	C6648239A.DWG	DWG SCALE 2=1 SH 2 OF 2

X-ON Electronics

Largest Supplier of Electrical and Electronic Components

Click to view similar products for [Power to the Board](#) category:

Click to view products by [TE Connectivity](#) manufacturer:

Other Similar products are found below :

[6450171-4](#) [6450552-7](#) [6600323-8](#) [6643429-1](#) [6646040-2](#) [6651939-1](#) [6766604-1](#) [120959-1](#) [1393557-2](#) [1393532-2](#) [1393532-3](#) [1393532-4](#)
[1393557-1](#) [1600812-5](#) [1-6450861-2](#) [1744132-7](#) [1761122-1](#) [1766250-1](#) [1892109-1](#) [2-6450860-5](#) [2-6450870-0](#) [1-6450161-4](#) [1-6450850-6](#) [1-](#)
[6450869-6](#) [1645526-2](#) [1-6600130-0](#) [2005243-2](#) [377-0020-11130](#) [TE34-12-16P-F0](#) [51700-10201602AALF](#) [5-6450830-6](#) [5646956-4](#) [377-](#)
[0080-11131A](#) [4-6450830-9](#) [4-6600333-3](#) [10125416-4050LF](#) [10130248-005LF](#) [6600320-3](#) [3-6450860-5](#) [1888123-2](#) [6450166-1](#) [6643978-1](#)
[6766605-1](#) [701-15-02109](#) [N11444](#) [6651938-1](#) [6450810-7](#) [46437-1112](#) [1-1589677-8](#) [5646956-5](#)