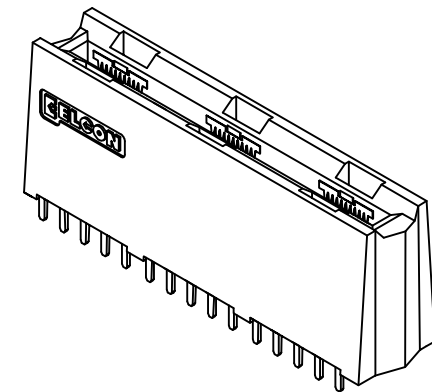
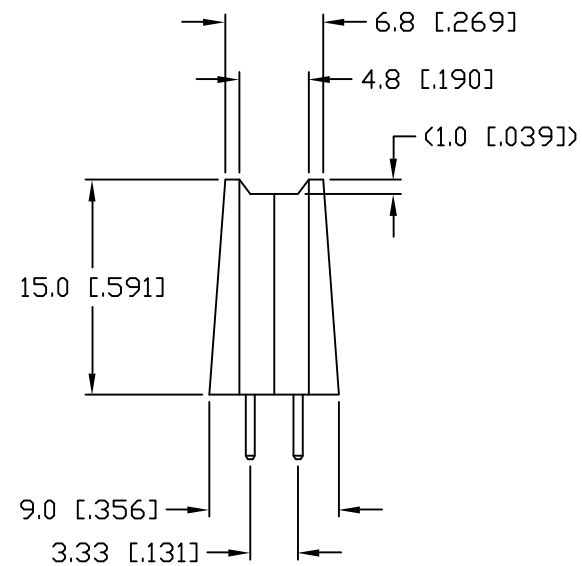
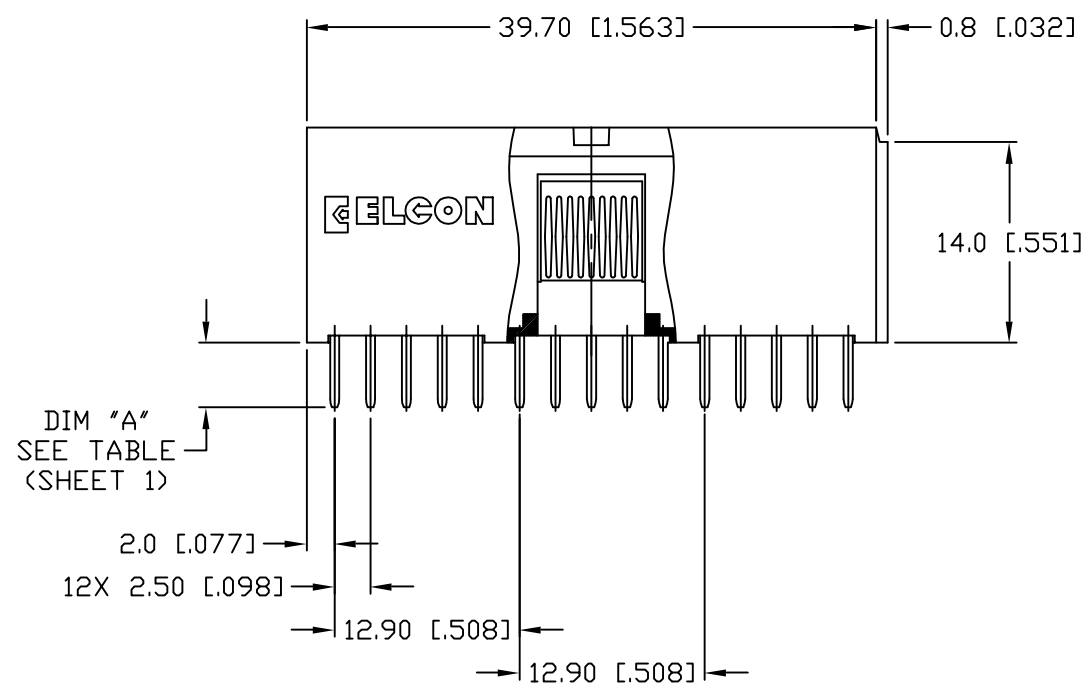
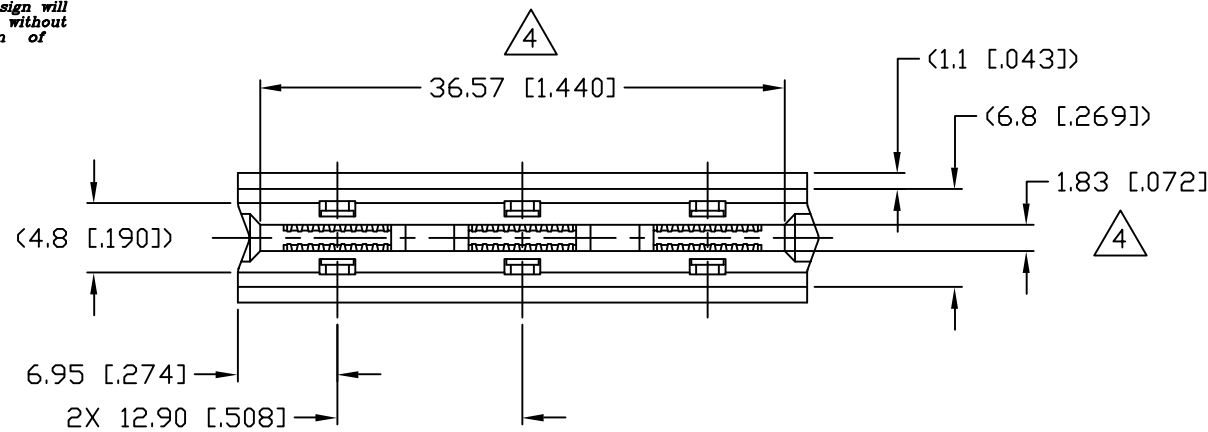


This drawing involves proprietary design rights of Tyco Electronics Corporation, and all design, manufacture, reproduction, use and sale rights regarding the same are expressly reserved. It is submitted for a specific purpose and the recipient by accepting this drawing, assumes custody and control and agrees to take reasonable precautions; (a) that this drawing will not be copied and reproduced in whole or in part, or its contents revealed in any manner, or to any person except to meet the purpose for which it was delivered and (b) that any special features peculiar to this design will not be incorporated in other projects without the expressed written permission of Tyco Electronics Corporation.

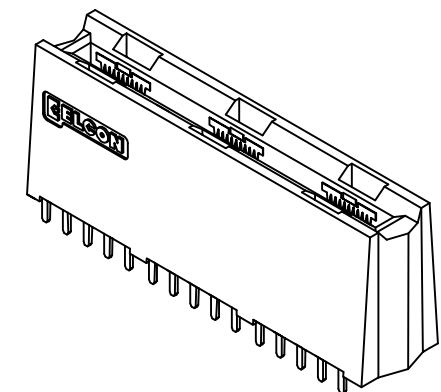
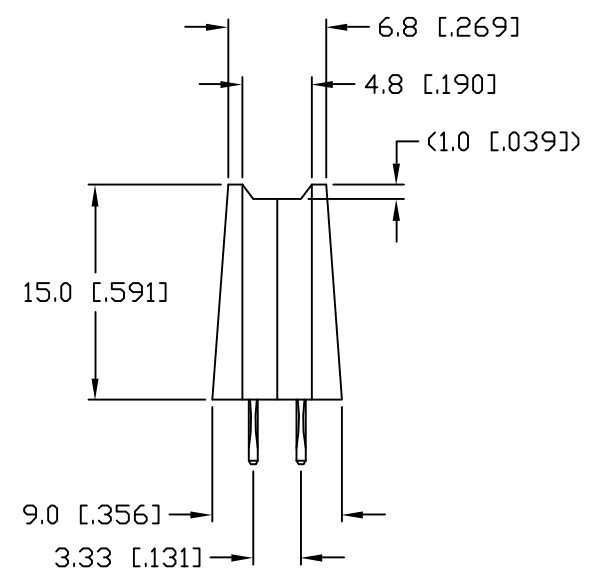
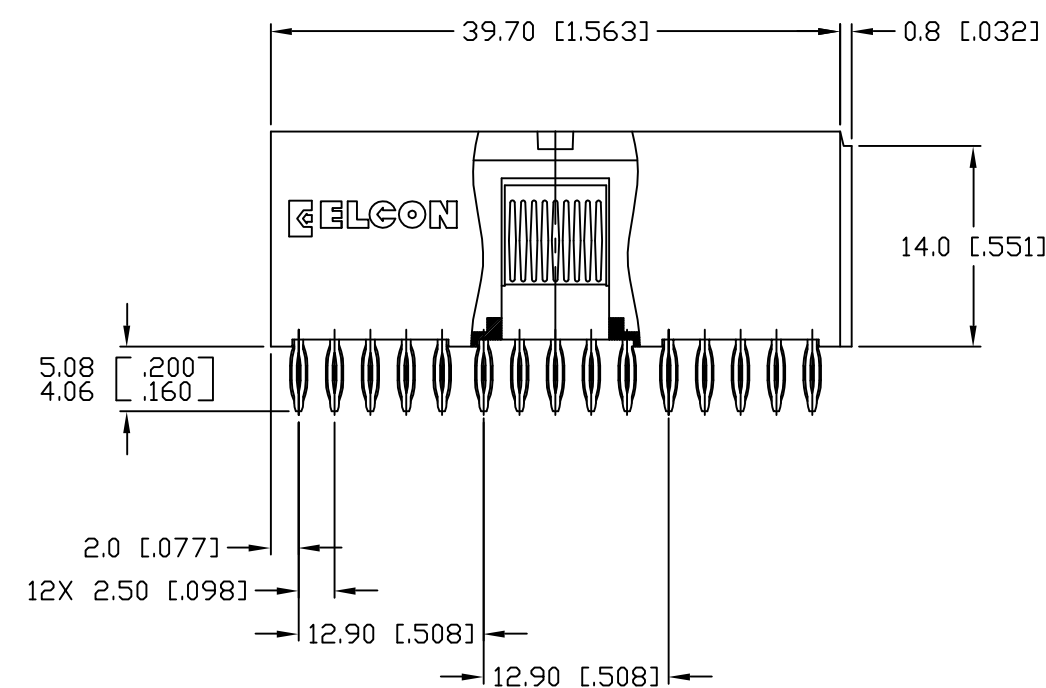
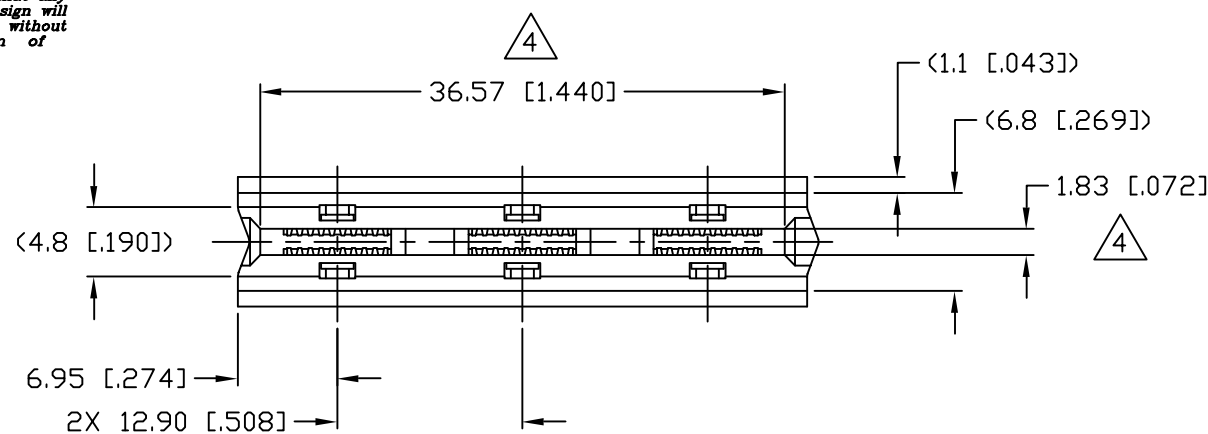
REVISIONS			
EC	REV	DESCRIPTION	DATE
		SEE SHEET 1	



<p>THIRD ANGLE PROJECTION</p> <p>UNLESS OTHERWISE SPECIFIED DIMENSIONS ARE IN METRIC [INCHES]</p> <p>TOLERANCES</p> <p>ANGLES ± .5°</p> <p>DECIMALS</p> <p>.XX ± .25 [.010]</p> <p>.X ± .5 [.020]</p>	<p>DRAWN</p> <p>M.C. CANT</p>	<p>DATE</p> <p>01/19/05</p>	<p>tyco Tyco Electronics Corporation ELCON</p> <p>Electronics Menlo Park, Ca 94025</p>		
	<p>CHECKED</p>		<p>TITLE</p> <p>SOCKET CONNECTOR, CROWN EDGE STRAIGHT, 3 SEG, 6 PWR, SOLDER, NHP</p> <p>PN: 284-0102-12100/284-0102-12300</p>		
	<p>APPROVED</p>		<p>APPROVED</p> <p>D. CHAU</p> <p>02/11/05</p>	<p>SIZE</p> <p>B</p>	<p>DWG NUMBER</p> <p>C = 6650383</p>
	<p>APPROVED</p> <p>M. ALIM</p> <p>03/02/05</p>	<p>ACAD FILE NUMBER</p> <p>C6650383A.DWG</p>	<p>DWG SCALE</p> <p>2=1</p>	<p>SH 2 OF 5</p>	

This drawing involves proprietary design rights of Tyco Electronics Corporation, and all design, manufacture, reproduction, use and sale rights regarding the same are expressly reserved. It is submitted for a specific purpose and the recipient by accepting this drawing, assumes custody and control and agrees to take reasonable precautions; (a) that this drawing will not be copied and reproduced in whole or in part, or its contents revealed in any manner, or to any person except to meet the purpose for which it was delivered and (b) that any special features peculiar to this design will not be incorporated in other projects without the expressed written permission of Tyco Electronics Corporation.

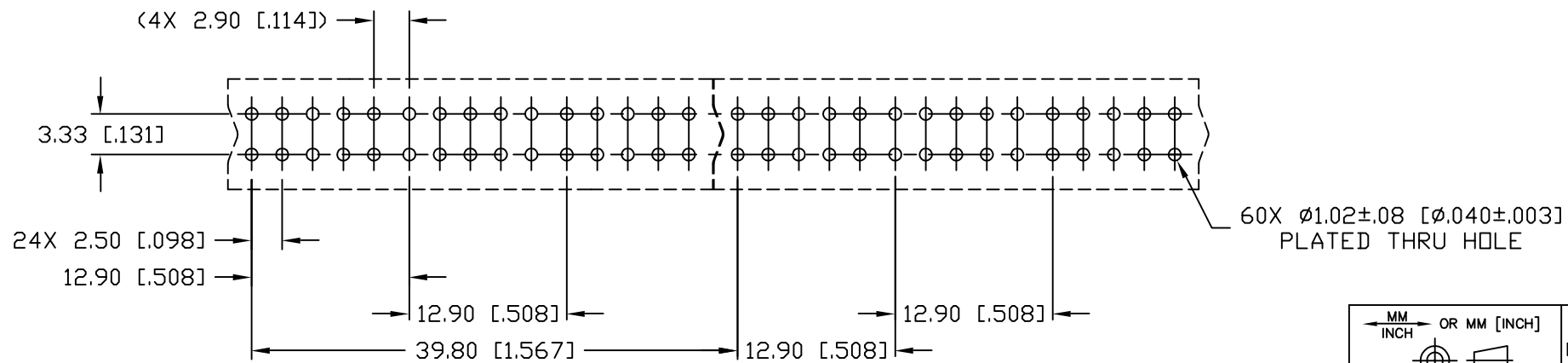
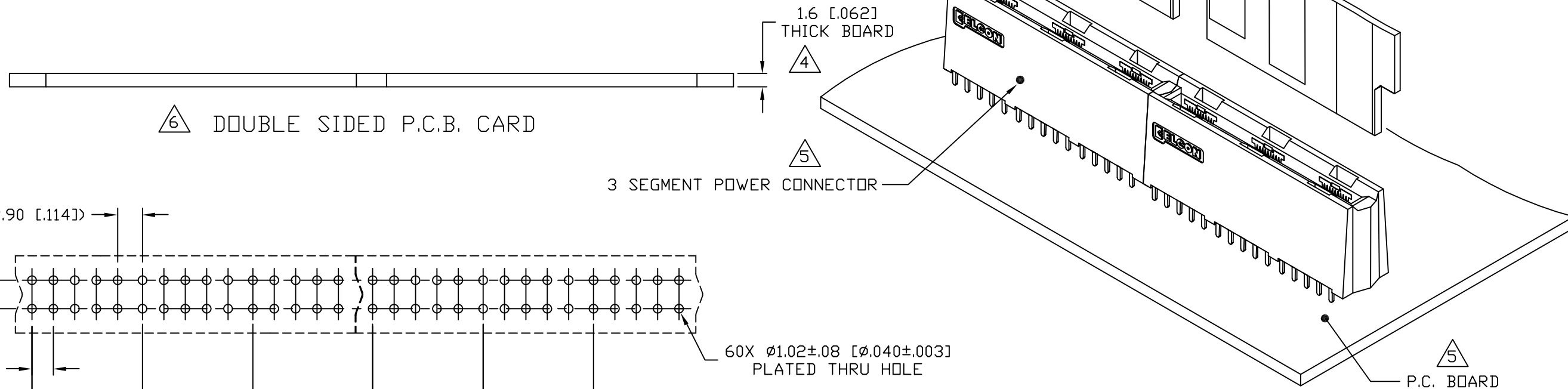
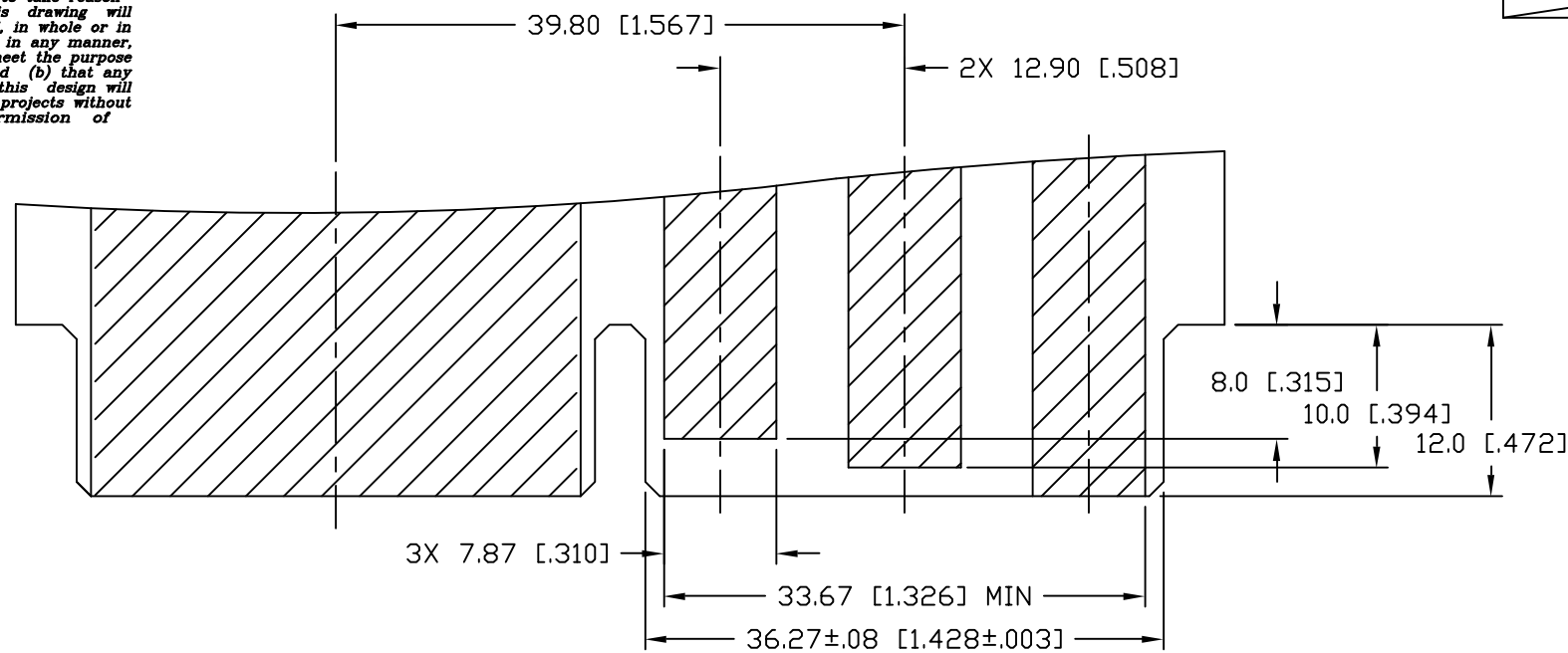
REVISIONS			
EC	REV	DESCRIPTION	DATE
		SEE SHEET 1	



<p>THIRD ANGLE PROJECTION</p> <p>UNLESS OTHERWISE SPECIFIED DIMENSIONS ARE IN METRIC [INCHES]</p> <p>TOLERANCES</p> <p>ANGLES ± .5°</p> <p>DECIMALS</p> <p>.XX ± .25 [0.010]</p> <p>.X ± .5 [0.020]</p>	<p>DRAWN</p> <p>M.C. CANT</p>	<p>DATE</p> <p>01/19/05</p>	<p>tyco Tyco Electronics Corporation ELCON Menlo Park, Ca 94025</p>
	<p>CHECKED</p>		
	<p>APPROVED</p>		<p>TITLE</p> <p>SOCKET CONNECTOR, CROWN EDGE STRAIGHT, 3 SEG, 6 PWR, COMPLIANT PN: 284-0102-11300</p>
	<p>APPROVED</p> <p>D. CHAU</p> <p>02/11/05</p>	<p>SIZE</p> <p>B</p>	<p>DWG NUMBER</p> <p>C = 6650383</p>
<p>ACAD FILE NUMBER C6650383A.DWG</p>		<p>DWG SCALE 2=1 SH 3 OF 5</p>	

This drawing involves proprietary design rights of Tyco Electronics Corporation, and all design, manufacture, reproduction, use and sale rights regarding the same are expressly reserved. It is submitted for a specific purpose and the recipient by accepting this drawing, assumes custody and control and agrees to take reasonable precautions; (a) that this drawing will not be copied and reproduced in whole or in part, or its contents revealed in any manner, or to any person except to meet the purpose for which it was delivered and (b) that any special features peculiar to this design will not be incorporated in other projects without the expressed written permission of Tyco Electronics Corporation.

REVISIONS			
EC	REV	DESCRIPTION	DATE
		SEE SHEET 1	

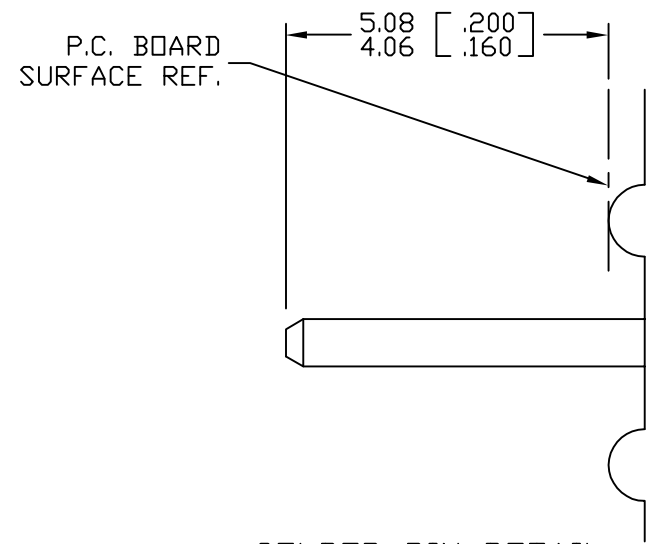


RECOMMENDED P.C. BOARD LAYOUT

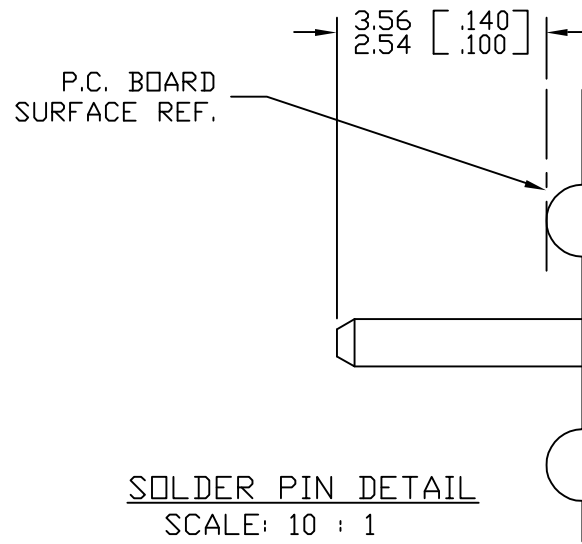
 THIRD ANGLE PROJECTION UNLESS OTHERWISE SPECIFIED DIMENSIONS ARE IN METRIC [INCHES] TOLERANCES ANGLES ± .5° DECIMALS .XX ± .25 [.010] .X ± .5 [.020]	DRAWN M.C. CANT	DATE 01/19/05	 Tyco Electronics Corporation Menlo Park, Ca 94025 	TITLE USER INFORMATION RECOMMENDED PC BOARD LAYOUT CROWN EDGE SIZE DWG NUMBER B C = 6650383 REV. A
	CHECKED			
	APPROVED			
	APPROVED D. CHAU	02/11/05		
	DCA APPROVED M. ALIM	03/02/05		
	ACAD FILE NUMBER	C6650383A.DWG	DWG SCALE	2=1 SH 4 OF 5

This drawing involves proprietary design rights of Tyco Electronics Corporation, and all design, manufacture, reproduction, use and sale rights regarding the same are expressly reserved. It is submitted for a specific purpose and the recipient by accepting this drawing, assumes custody and control and agrees to take reasonable precautions; (a) that this drawing will not be copied and reproduced in whole or in part, or its contents revealed in any manner, or to any person except to meet the purpose for which it was delivered and (b) that any special features peculiar to this design will not be incorporated in other projects without the expressed written permission of Tyco Electronics Corporation.

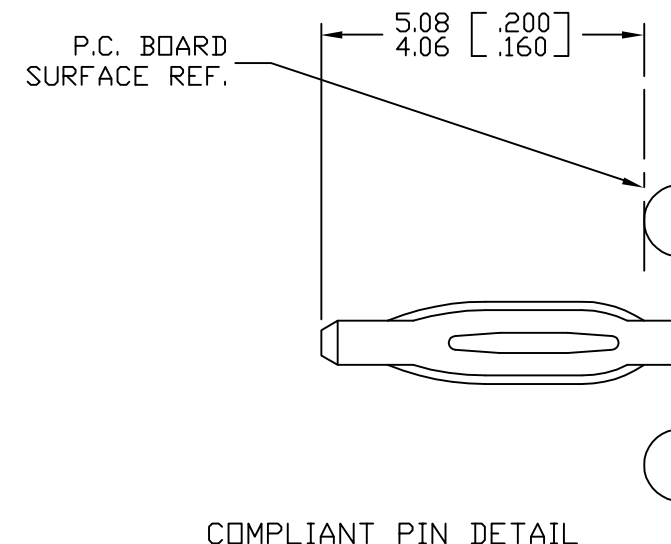
REVISIONS			
EC	REV	DESCRIPTION	DATE
		SEE SHEET 1	



SOLDER PIN DETAIL
SCALE: 10 : 1



SOLDER PIN DETAIL
SCALE: 10 : 1



COMPLIANT PIN DETAIL
SCALE: 10 : 1
INSERTION/EXTRACTION FORCES
MAXIMUM PUSH IN: 133.3N PER PIN
[30 LBS]
MINIMUM PUSH OUT: 44.4N PER PIN
[10 LBS]

RECOMMENDED PRINTED CIRCUIT HOLE
SOLDER OR COMPLIANT PRESS FIT
FINISHED HOLE: $\phi 1.02$ [.040] $\pm .08$ [.003]
DRILLED HOLE: $\phi 1.15$ [.0453] $\pm .013$ [.0005]
COPPER PLATE: .025 [.0010] MINIMUM (PER SURFACE)
TIN PLATE: .008 [.0003] MINIMUM (PER SURFACE)

← MM → OR MM [INCH] THIRD ANGLE PROJECTION UNLESS OTHERWISE SPECIFIED DIMENSIONS ARE IN METRIC [INCHES] TOLERANCES ANGLES $\pm .5^\circ$ DECIMALS .XX $\pm .25$ [.010] .X $\pm .5$ [.020]	DRAWN	DATE	Tyco Electronics Corporation Menlo Park, Ca 94025	TITLE USER INFORMATION SOLDER & COMPLIANT TERMINATION CROWN EDGE SIZE DWG NUMBER REV. B C = 6650383 A
	M.C. CANT	01/19/05		
	CHECKED			
	APPROVED			
	D. CHAU	02/11/05		
	DCA APPROVED			
	M. ALIM	03/02/05		
	ACAD FILE NUMBER	C6650383A.DWG		
			DWG SCALE 2=1	SH 5 OF 5

X-ON Electronics

Largest Supplier of Electrical and Electronic Components

Click to view similar products for [Standard Card Edge Connectors](#) category:

Click to view products by [TE Connectivity](#) manufacturer:

Other Similar products are found below :

[CR7E-30DB-3.96E\(72\)](#) [6364499-1](#) [6565204-6](#) [PKC-156](#) [1437274-4](#) [147889-1](#) [1489165-4](#) [EBT15622B2X](#) [1-582587-1](#) [284-0102-12100](#)
[286-0052-12101A](#) [306022901000000](#) [307-012-502-202](#) [307-056-520-300](#) [2129318-1](#) [245-062-520-350](#) [287-0032-12101](#) [306-028-525-102](#)
[307-072-526-202](#) [345-060-559-303](#) [392-008-559-201](#) [534671-1](#) [341-240-317](#) [345-044-500-300](#) [346-240-318](#) [395-100-524-300](#) [09-07-2032](#)
[10035388-802LF](#) [10115859-011LF](#) [10122859-009LF](#) [10127905-B04B24BLF](#) [530555-1](#) [5-678046-1](#) [73726-0005](#) [66308-1](#) [1-1437275-6](#)
[PEC-07-02-T-S-A](#) [346-014-520-801](#) [307-048-502-202](#) [CE100F22-9-C](#) [CE100F26-7-C](#) [CE100F28-3-D](#) [CE156F18-9-C](#) [CE156F22-5-D](#)
[CE156F22-9-C](#) [CT100F22-2-D](#) [CT100F22-3-D](#) [CT100F24-2-D](#) [CT100F24-3-D](#) [CT100F24-6-C](#)