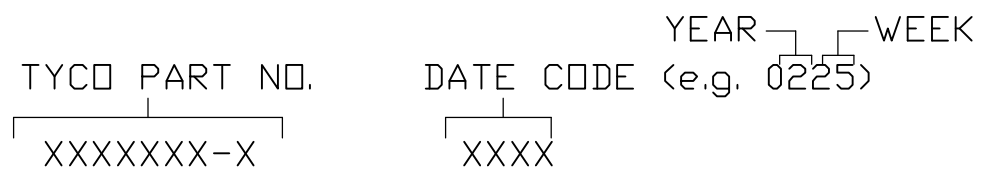


THIS DRAWING IS UNPUBLISHED. RELEASED FOR PUBLICATION  
 © COPYRIGHT 2005 BY TYCO ELECTRONICS CORPORATION. ALL RIGHTS RESERVED.

LOC	DIST	REVISIONS			
P	LTR	DESCRIPTION	DATE	DWN	APVD
GP	00	A	INITIAL RELEASE	05OCT2006	GIP DO

5 RECOMMENDED MOUNTING HARDWARE TO BE ORDERED SEPARATELY FOR REFERENCE ONLY:  
 FOR PANEL MOUNTING USE:  
 1650402-1, 8-32 SHOULDER SCREW  
 1650589-1, M4 X 0.7 SHOULDER SCREW

4 ITEMS PROVIDED TO THIS SPECIFICATION TO BE PERMANENTLY IDENTIFIED PER THE FOLLOWING IDENTIFIER:



2. MATERIALS:  
 HOUSINGS: THERMOPLASTIC, GLASS REINFORCED, UL94V-0 FLAMMABILITY RATED, COLOR-BLACK.  
 RETENTION CLIPS: BERYLLIUM COPPER OR STAINLESS STEEL.
1. PART NUMBER CHANGES AND OR DESIGN CHANGES AFFECTING ITEM INTERCHANGEABILITY REQUIRE PRIOR TYCO APPROVAL AND AUTHORIZATION BY REVISION TO THIS DRAWING.

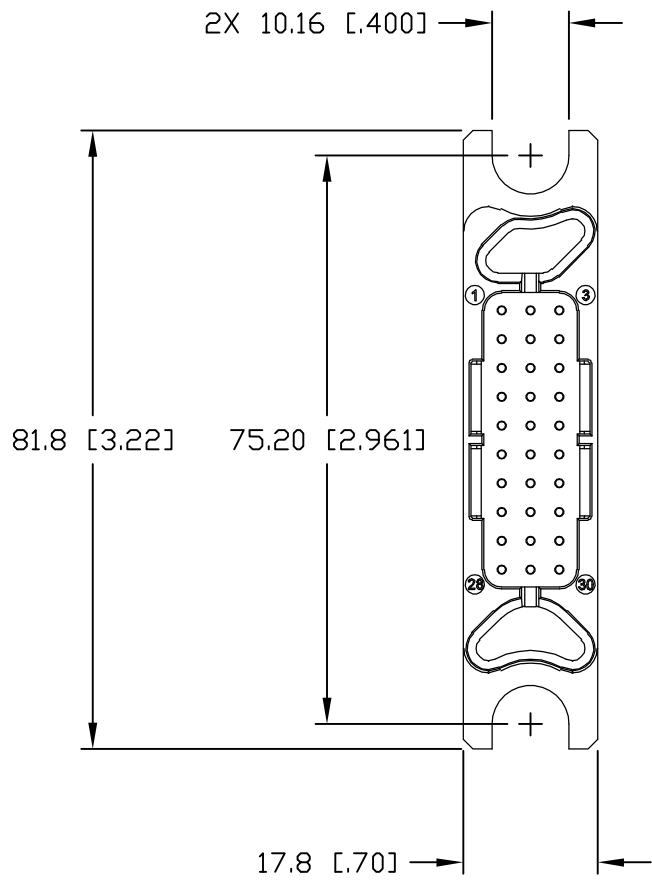
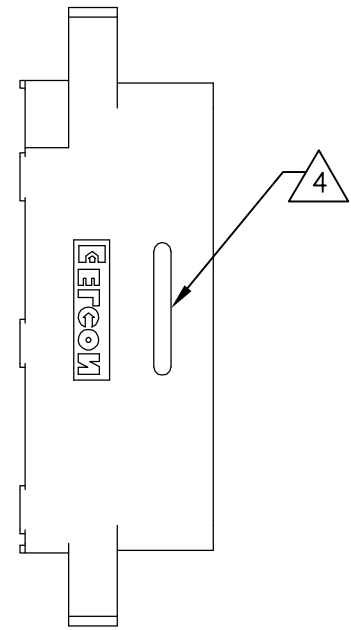
AS SHOWN	6651204-1
DESCRIPTION	PART NUMBER

THIS DRAWING IS A CONTROLLED DOCUMENT.		DWN G.PETERS 05OCT2006	Tyco Electronics Corporation Harrisburg, PA 17105-3608	
DIMENSIONS: mm		CHK D.ORRIS 05OCT2006		
TOLERANCES UNLESS OTHERWISE SPECIFIED:		APVD S.FLICKINGER 05OCT2006	NAME	
0 PLC ± - 1 PLC ± - 2 PLC ± .5 [.02] 3 PLC ± .25 [.010] 4 PLC ± - ANGLES ± .5		PRODUCT SPEC	CONNECTOR HOUSING, STRAIGHT PIN POS30 WITH RETENTION CLIPS	
MATERIAL		APPLICATION SPEC	SIZE	RESTRICTED TO
FINISH		WEIGHT	CAGE CODE	DRAWING NO
-		-	A3 00779	C-6651204
CUSTOMER DRAWING			SCALE 1:1	SHEET 1 OF 3
			REV A	

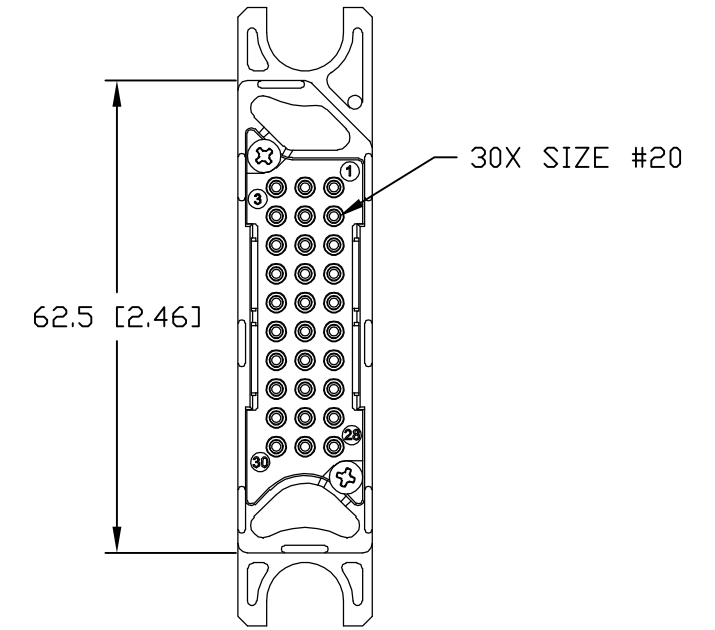
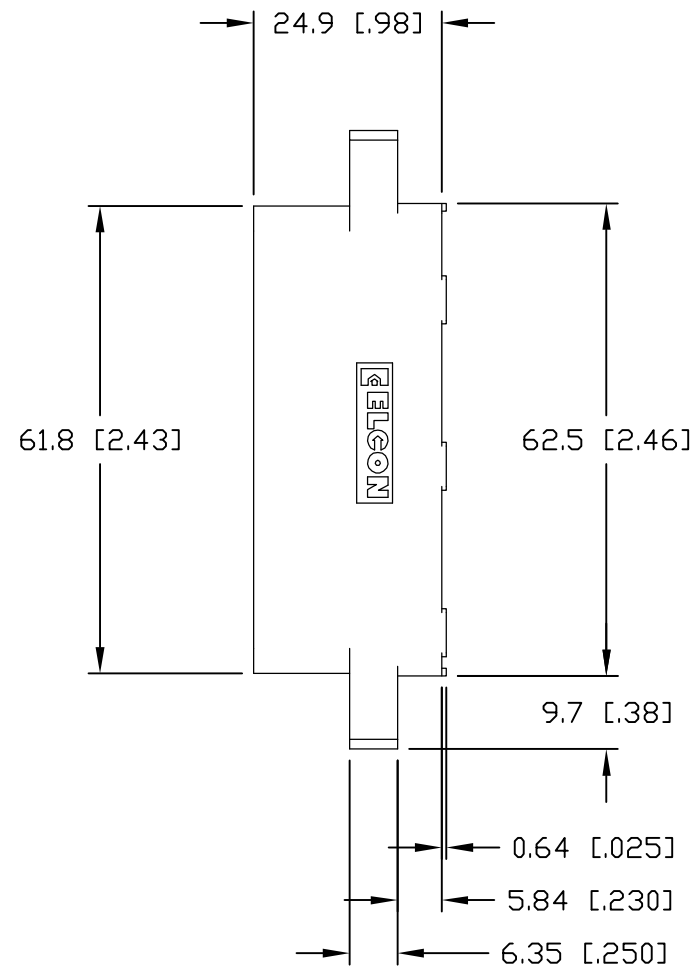
ELCON POS30 MINI DRAWER HOUSING

THIS DRAWING IS UNPUBLISHED. RELEASED FOR PUBLICATION  
 © COPYRIGHT 2005 BY TYCO ELECTRONICS CORPORATION. ALL RIGHTS RESERVED.

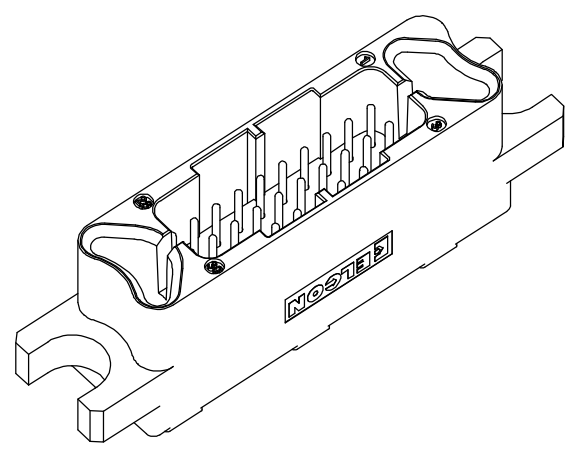
LOC	DIST	REVISIONS					
GP	00	P	LTR	DESCRIPTION	DATE	DWN	APVD
				SEE SHEET 1	-	-	-



FRONT VIEW



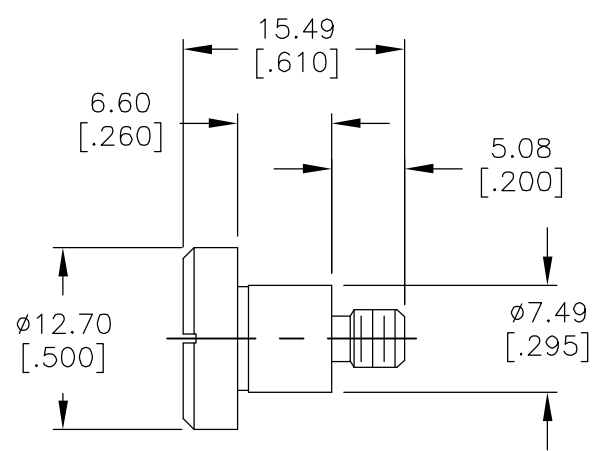
REAR VIEW



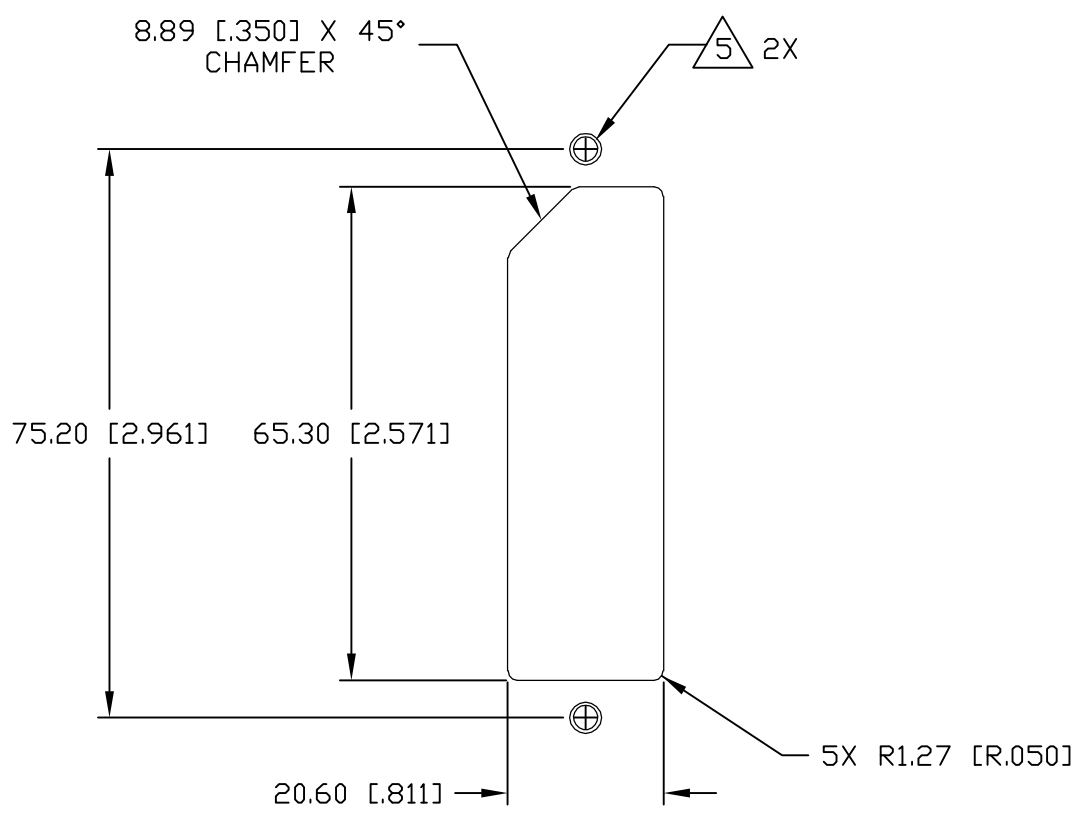
THIS DRAWING IS A CONTROLLED DOCUMENT.		DWN G.PETERS	05OCT2006	Tyco Electronics Corporation Harrisburg, PA 17105-3608			
DIMENSIONS: mm		CHK D.ORRIS	05OCT2006				
TOLERANCES UNLESS OTHERWISE SPECIFIED:		APVD S.FLICKINGER	05OCT2006	NAME CONNECTOR HOUSING, STRAIGHT PIN POS30 WITH RETENTION CLIPS			
0 PLC ± - 1 PLC ± - 2 PLC ± .5 [.02] 3 PLC ± .25 [.010] 4 PLC ± - ANGLES ± .5		PRODUCT SPEC -		APPLICATION SPEC -			
MATERIAL -		FINISH -		WEIGHT -			
CUSTOMER DRAWING				SIZE A3	CAGE CODE 00779	DRAWING NO C-6651204	RESTRICTED TO -
				SCALE 1:1	SHEET 2 OF 3	REV A	

THIS DRAWING IS UNPUBLISHED. RELEASED FOR PUBLICATION  
 © COPYRIGHT 2005 BY TYCO ELECTRONICS CORPORATION. ALL RIGHTS RESERVED.

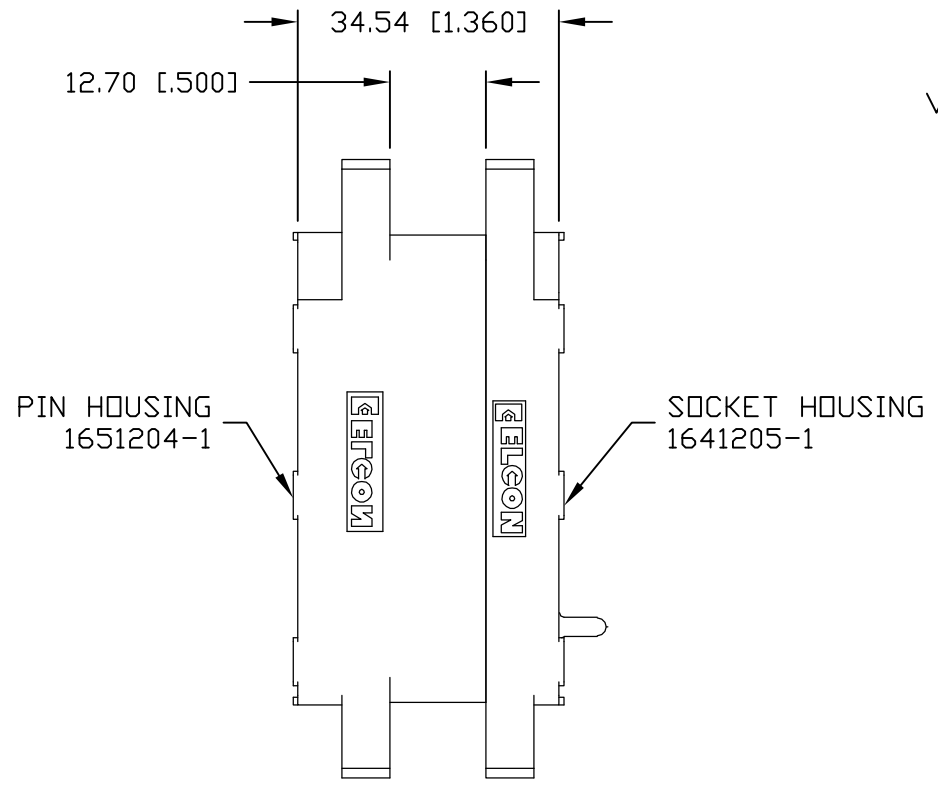
LOC	DIST	REVISIONS			
P	LTR	DESCRIPTION	DATE	DWN	APVD
GP	00	SEE SHEET 1	-	-	-



SHOULDER SCREW  
 (REFERENCE ONLY)  
 SCALE: 2:1



SUGGESTED PANEL CUTOUT  
 VIEWED FROM CONNECTOR MOUNTING SIDE



MATED CONDITION

THIS DRAWING IS A CONTROLLED DOCUMENT.		DWN G.PETERS	05OCT2006	Tyco Electronics Corporation Harrisburg, PA 17105-3608	
DIMENSIONS: mm		CHK D.ORRIS	05OCT2006		
TOLERANCES UNLESS OTHERWISE SPECIFIED:		APVD S.FLICKINGER	05OCT2006	NAME CONNECTOR HOUSING, STRAIGHT PIN POS30 WITH RETENTION CLIPS	
0 PLC ± - 1 PLC ± - 2 PLC ± .5 [.02] 3 PLC ± .25 [.010] 4 PLC ± - ANGLES ± .5		PRODUCT SPEC -		RESTRICTED TO -	
MATERIAL -		FINISH -		APPLICATION SPEC -	
		WEIGHT -		SIZE A3	CAGE CODE 00779
		CUSTOMER DRAWING		DRAWING NO C-6651204	RESTRICTED TO -
		SCALE 1:1		SHEET 3 OF 3	REV A

## X-ON Electronics

Largest Supplier of Electrical and Electronic Components

*Click to view similar products for [Heavy Duty Power Connectors](#) category:*

*Click to view products by [TE Connectivity](#) manufacturer:*

Other Similar products are found below :

[1424439](#) [1424438](#) [09330062652](#) [2-8675P1](#) [580129-2](#) [605601-1](#) [6340G1](#) [6341G1](#) [6360G1](#) [6373G1](#) [6374g2](#) [6396G1](#) [647757-1](#) [66394-4](#)  
[6643411-1](#) [6646058-2](#) [6646137-1](#) [6646138-1](#) [6646348-1](#) [6646479-1](#) [6646608-1](#) [6646786-1](#) [6646940-1](#) [6651091-1](#) [6651525-1](#) [6651529-1](#)  
[6651778-1](#) [6651788-1](#) [696465-1](#) [696475-1](#) [73000005059](#) [73000005349](#) [73000005642](#) [73080255059](#) [73080965046](#) [765-15-0080A](#)  
[765-16-0080B](#) [789.700-44](#) [789.700-54](#) [80-1010](#) [80-9](#) [827381-1](#) [829992-1](#) [902-77-02113](#) [PL00U-301-10D10](#) [PM103MOOLOO](#)  
[PM16S1620S32-50](#) [PM212MOOLOO](#) [PM309FOOLOO](#) [PM324FOOLCH](#)