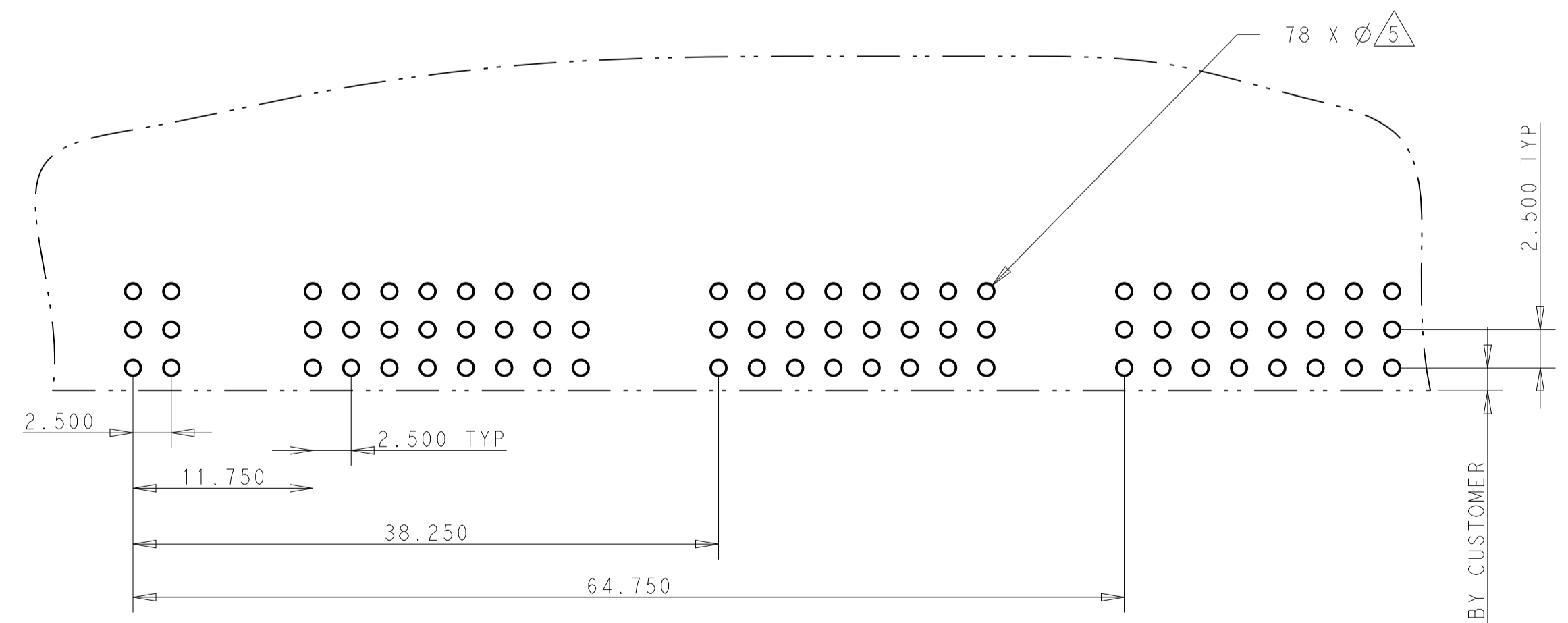
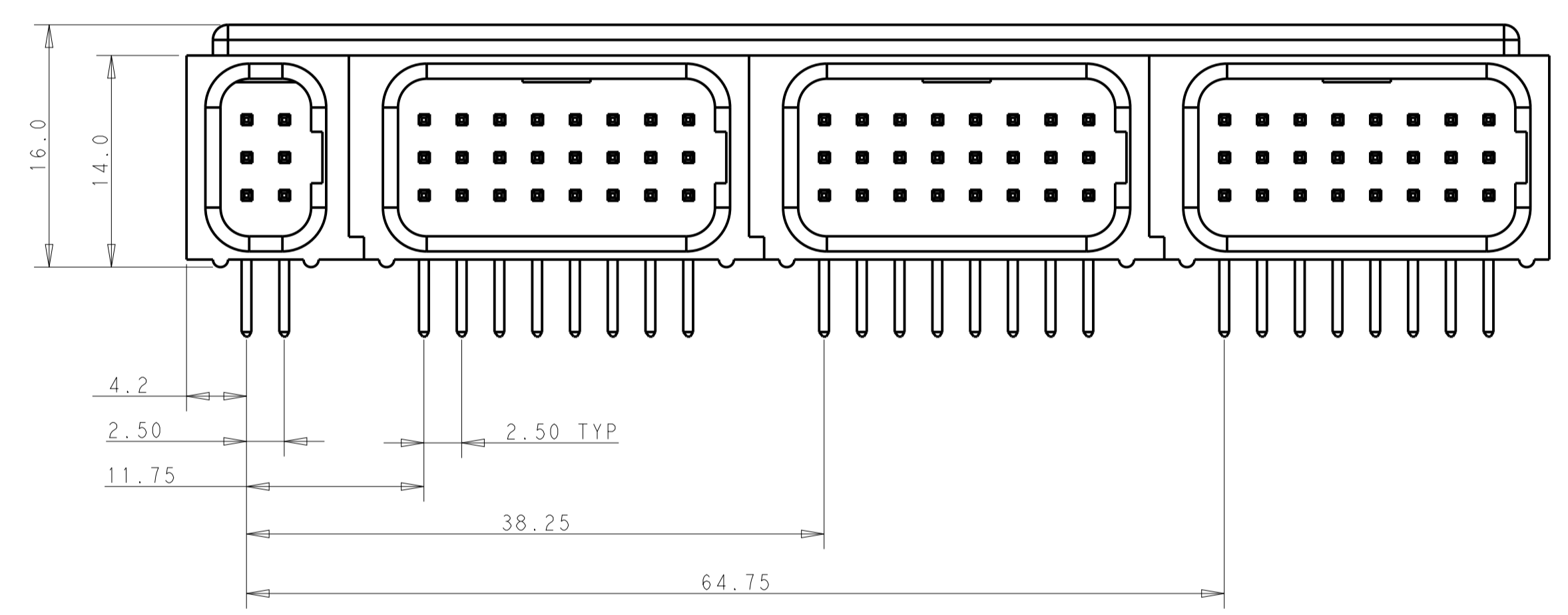
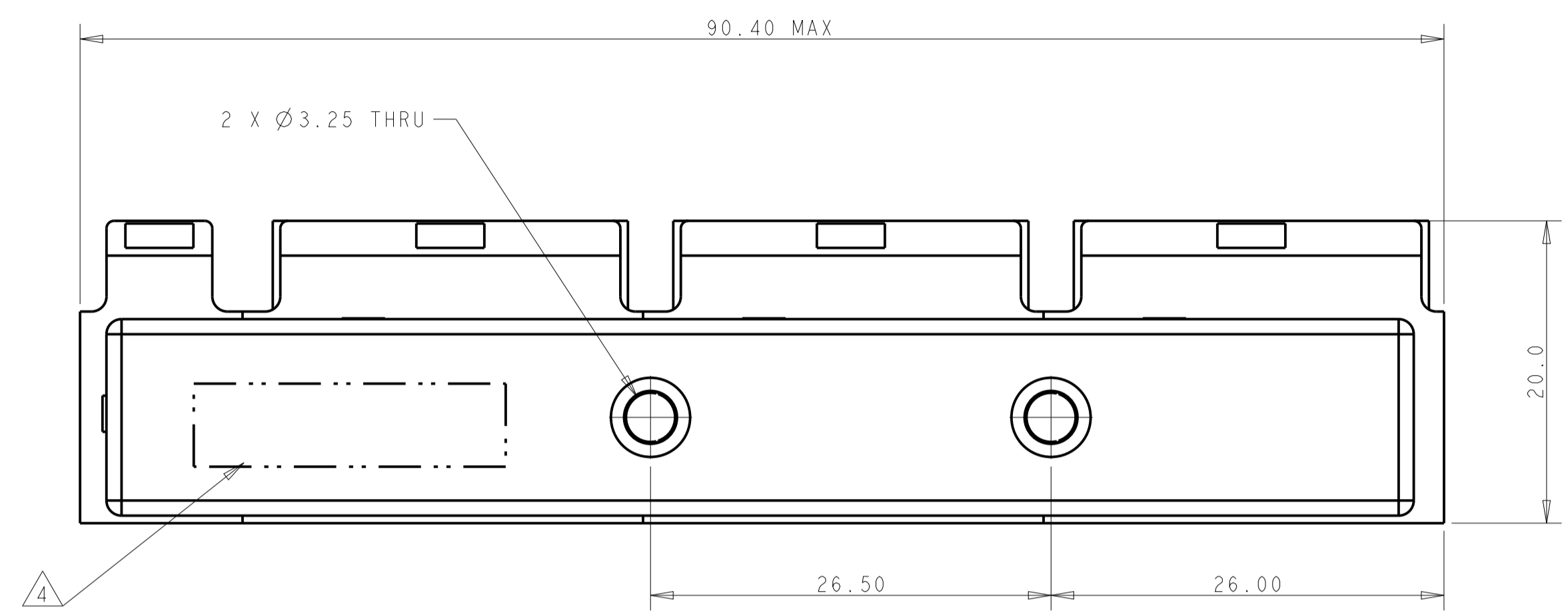
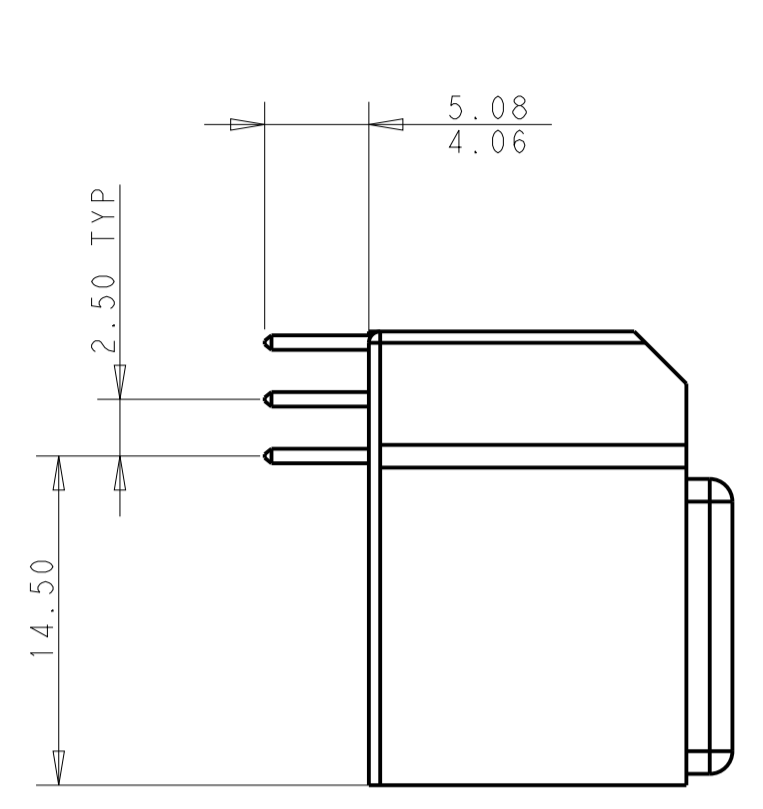
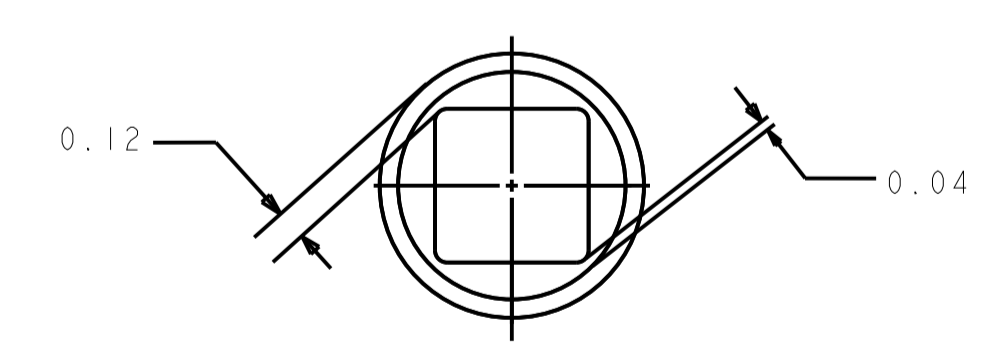


REVISIONS				
P.	LTM	DESCRIPTION	DATE	APVD
1		PRELIMINARY	27MAR2015	SZ SZ



PRINTED CIRCUIT LAYOUT
 COMPONENT SIDE

- PART NUMBER CHANGES AND OR DESIGN CHANGES AFFECTING ITEM INTERCHANGEABILITY REQUIRE PRIOR TE CONNECTIVITY APPROVAL AND AUTHORIZATION BY REVISION TO THIS DRAWING
 - MATERIAL:
 HOUSING - THERMOPLASTIC,
 POWER CONTACTS - COPPER ALLOY
 PLATE MOUNTING - ULTEM 1000, UL RATED, 94V-0
 - FINISH:
 CONTACTS - NOBEL METAL PLATE OVER NICKEL AT CONTACT AREA
 SOLDER TAILS, MATTE TIN OVER NICKEL
- △ 4 TE ELECTRONICS, PART NUMBER AND DATE CODE LOCATED IN THE APPROXIMATE AREA SHOWN
 △ 5 SEE PRINTED CIRCUIT BOARD LAYOUT AND SOLDER TERMINATION VIEW



△ 5 SOLDER TERMINATION AREA
 RECOMMENDED PRINTED CIRCUIT SOLDER HOLE
 FINISHED HOLE: $\phi 1.02 \pm .08$
 DRILLED HOLE: $\phi 1.15 \pm .013$
 COPPER PLATE: .025 MIN.
 TIN PLATE: .008 MIN. (PER SURFACE)

AS SHOWN	6651425-1
DESCRIPTION	PART NUMBER

THIS DRAWING IS A CONTROLLED DOCUMENT.		OWN: SEAN 26MAR2015	TE Connectivity	
DIMENSIONS: mm		CHK: SEAN 26MAR2015		
TOLERANCES UNLESS OTHERWISE SPECIFIED: 0 PLC ± .5 1 PLC ± 0.5 2 PLC ± 0.25 3 PLC ± 0.25 4 PLC ± .5 ANGLES ± .5		APPV: SEAN 26MAR2015		
MATERIAL: SEE NOTE		FINISH: SEE NOTE	PRODUCT SPEC: -	NAME: TOP ASSEMBLY, PIN CONNECTOR, R/A STANDARD, SOLDER TAIL, FLATPAQ
		WEIGHT: -	APPLICATION SPEC: -	RESTRICTED TO: -
		Customer Drawing	SIZE: A1	CAGE CODE: -
		SCALE: 1:1	SHEET: 1	OF: 1
			REV: 1	

X-ON Electronics

Largest Supplier of Electrical and Electronic Components

Click to view similar products for [Heavy Duty Power Connectors](#) category:

Click to view products by [TE Connectivity](#) manufacturer:

Other Similar products are found below :

[6646058-2](#) [6646137-1](#) [6646138-1](#) [6646940-1](#) [6651091-1](#) [6651525-1](#) [6651529-1](#) [696475-1](#) [702-32-01109](#) [73000005059](#) [73080254296](#)
[73080965046](#) [7310205040001](#) [765-15-0080A](#) [765-16-0080B](#) [765-18-0080D](#) [PS00/A0620/6300](#) [129-1J](#) [E6374G1](#) [157-43GW8](#) [MS3117-](#)
[14AC](#) [1643543-1](#) [1766966-1](#) [1791340000](#) [NLDFT-3-BL-L-S120-M40A](#) [NLDFT-N-W-L-C240-M40B](#) [1926015-1](#) [NLS-N-W-C240-M40B](#) [2-](#)
[1589900-8](#) [2199314-1](#) [KA8102](#) [9300480317](#) [294-0091-01100](#) [296-0040-01100](#) [1648582-1](#) [A32595-0049](#) [1766249-1](#) [1766280-1](#) [1766818-1](#)
[AN0264023](#) [279-0841-10100A](#) [30-9717](#) [RMSB4](#) [4729](#) [492H414-9-01](#) [BSB5](#) [419-2083-301](#) [LCDX4/0-14B-X](#) [075-8519-001](#) [078238-1613](#)