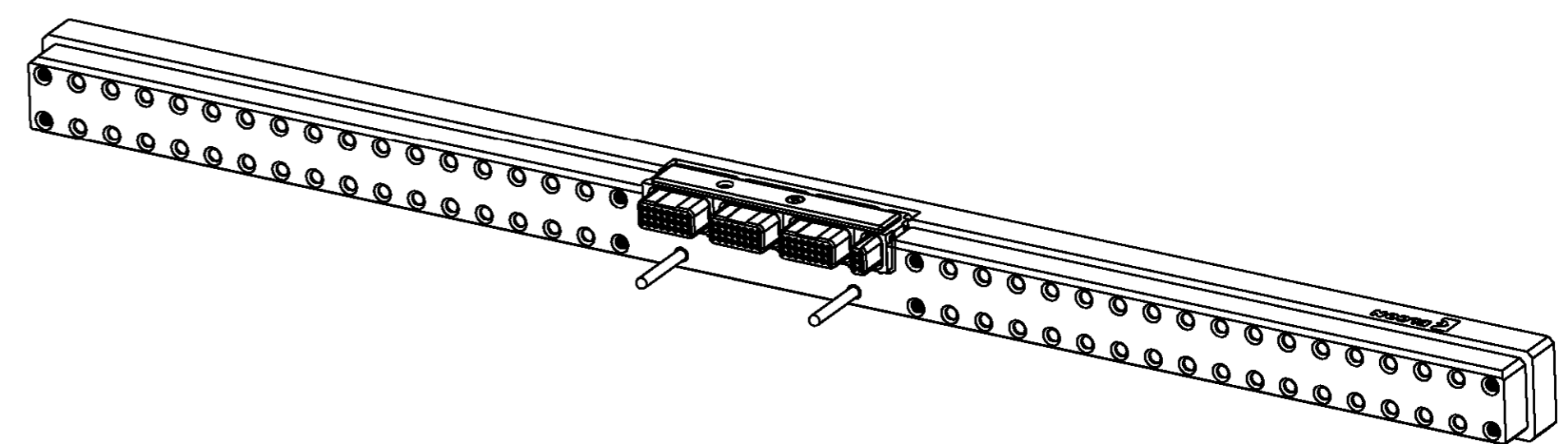
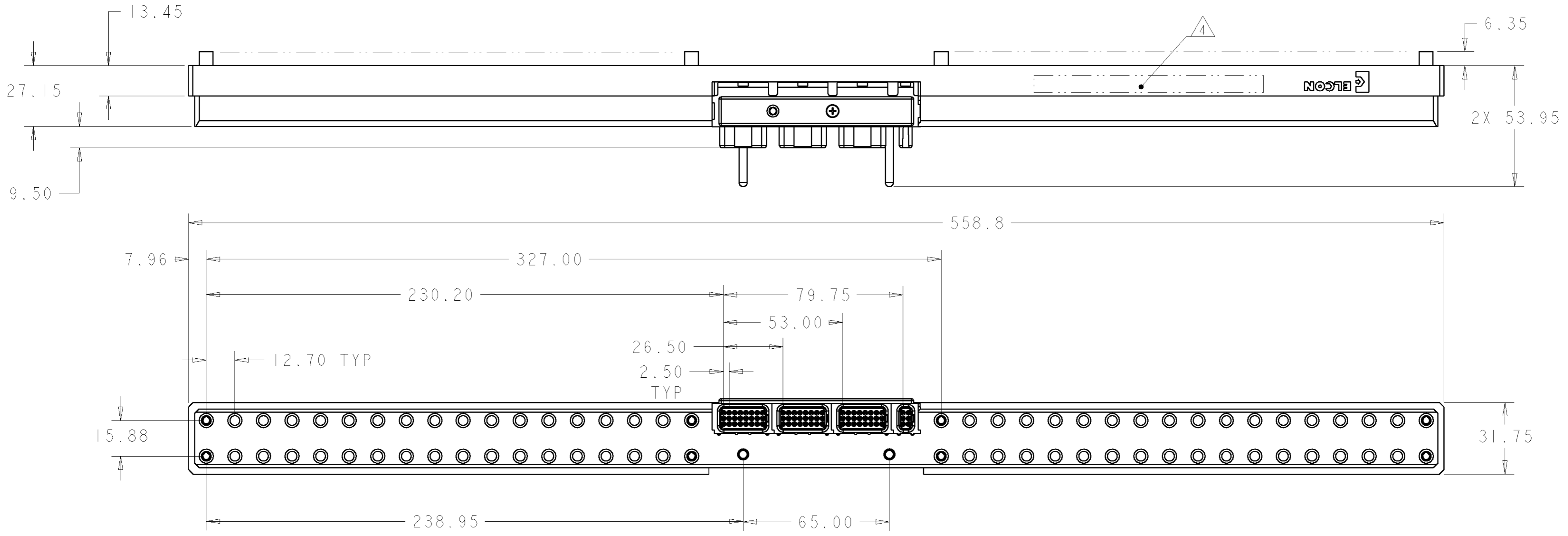


THIS DRAWING IS UNPUBLISHED. RELEASED FOR PUBLICATION 20
 © COPYRIGHT 20 BY TYCO ELECTRONICS CORPORATION. ALL RIGHTS RESERVED.

LOC	DIST	REVISIONS			
P	LTR	DESCRIPTION	DATE	DWN	APVD
GP	00	A	NEW RELEASE	23JAN2007	RG DO



SCALE 1:2

1. PART NUMBER CHANGES AND OR DESIGN CHANGES AFFECTING ITEM INTERCHANGEABILITY REQUIRE PRIOR TYCO APPROVAL AND AUTHORIZATION BY REVISION TO THIS DRAWING.

2. MATERIAL:
 POWER INSULATOR - ULTEM 1000, COLOR - BLACK
 SIGNAL INSULATOR - THERMOPLASTIC, GLASS REINFORCED
 COLOR - BLACK, UL94V-0 FLAMABILITY RATED.
 SOCKET BODY - COPPER ALLOY
 SIGNAL PINS - BRASS ALLOY
 RETENTION CLIP - BERYLLIUM COPPER
 GUIDE PIN - BRASS ALLOY

3. FINISH: GOLD PLATE .000030" MIN THK. OVER NICKEL .000040" MIN THK.
 SOLDER TAILS - TIN .000100" MIN THK. OVER NICKEL .000040" MIN THK.
 SOCKET BODY - SILVER PLATE .000200" MIN THK. OVER NICKEL .000040" MIN THK.
 GUIDE PIN - PASSIVE

4 ITEMS PROVIDED TO THIS SPECIFICATION TO BE PERMANENTLY IDENTIFIED PER THE FOLLOWING IDENTIFIER:



AS SHOWN	6651431-2
DESCRIPTION	PART NUMBER

THIS DRAWING IS A CONTROLLED DOCUMENT FOR TYCO ELECTRONICS CORPORATION. IT IS SUBJECT TO CHANGE AND THE CONTROLLING ENGINEERING ORGANIZATION SHOULD BE CONTACTED FOR THE LATEST REVISION.		DWN R. GRZYBOWSKI 23JAN2007	tyco Electronics Tyco Electronics Harrisburg, PA 17105-3608	
DIMENSIONS: mm		CHK D. ORRIS 23JAN2007	NAME TOP ASSEMBLY, CUSTOM SOCKET, 72X POWER, 78X SIGNAL	
TOLERANCES UNLESS OTHERWISE SPECIFIED: 0 PLC ±.3 1 PLC ±.15 2 PLC ±.15 3 PLC ±.15 4 PLC ±.15 ANGLES ±.5 FINISH		APVD S. FLICKINGER 23JAN2007	RESTRICTED TO	
MATERIAL		PRODUCT SPEC	SIZE	CAGE CODE
		APPLICATION SPEC	A2	00779
		WEIGHT	DRAWING NO	6651431
		CUSTOMER DRAWING	SCALE	3/4
			SHEET	1 OF 1
			REV	A

X-ON Electronics

Largest Supplier of Electrical and Electronic Components

Click to view similar products for te connectivity manufacturer:

Other Similar products are found below :

[570416-000](#) [CLTEQ-M81CE-SSRELAY-4-20V](#) [4-1633138-8](#) [1-2217206-1](#) [D38999/24FJ4AN](#) [358838-000](#) [4-1195131-0](#) [650069-000](#)
[SMD100-2](#) [CB-1022B-78](#) [RM707012](#) [RP410012](#) [MMS42](#) [1-640426-8](#) [2EDL4CM](#) [DTS20W19-11PD-3028](#) [DTS20W19-11PD-3028-LC](#)
[DTS20W19-32SD-3028-LC](#) [DTS20W19-32SD-3028](#) [RM202615](#) [NC6-P104-06](#) [TXR64AB90-3616AI](#) [MSPS103B](#) [DTS26F21-41HE](#)
[DTS26F21-41AE](#) [DTS26F21-41PE-LC](#) [DTS26F21-11SE-3028-LC](#) [1932144-1](#) [293545-4](#) [LVR125S](#) [MS27466T25F4PB](#) [CKB-38-78010](#)
[1206SFF150F/63-2](#) [5-2027513-8](#) [D38999/20JB35HA](#) [D38999/24WJ20PA](#) [1754138-1](#) [TE1500A2R2J](#) [DTS24F25-29PC-3028-LC](#) [164-8033-](#)
[08](#) [D38999/24WG11HA](#) [D38999/24WG11HN](#) [MS27467T21F11H](#) [DJT16E21-11HA](#) [1206SFH150F/24-2](#) [1-532955-3](#) [DTS20W19-32SA-](#)
[3028-LC](#) [DTS24F19-11SC-3028-LC](#) [DTS24F19-11SC-3028](#) [D38999/20WC8BB](#)