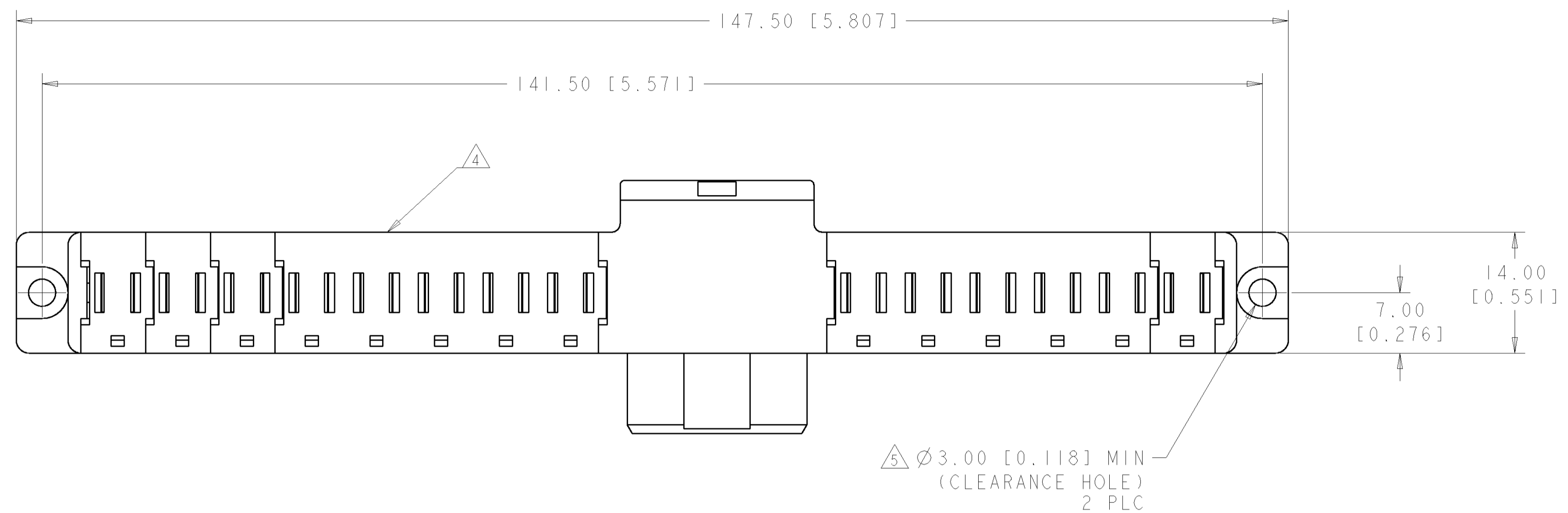


LOC	DIST	REVISIONS			
P	LTR	DESCRIPTION	DATE	DWN	APVD
A		RELEASED	16MAR2006	RG	PD

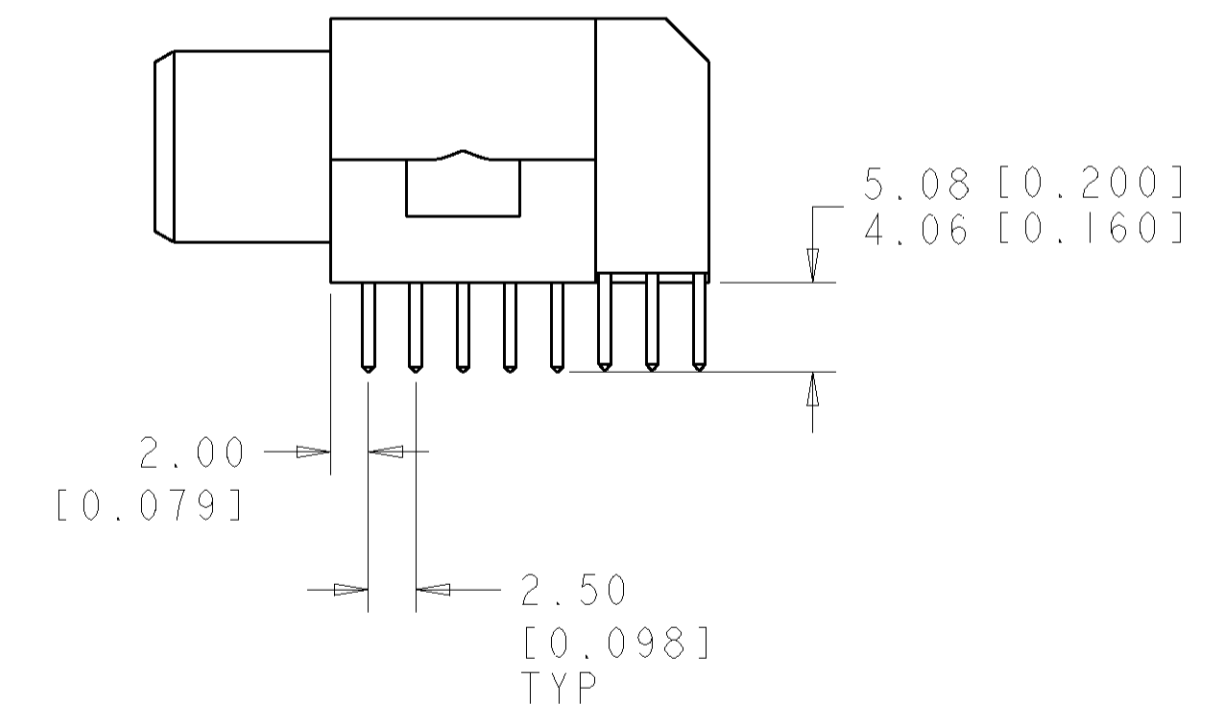
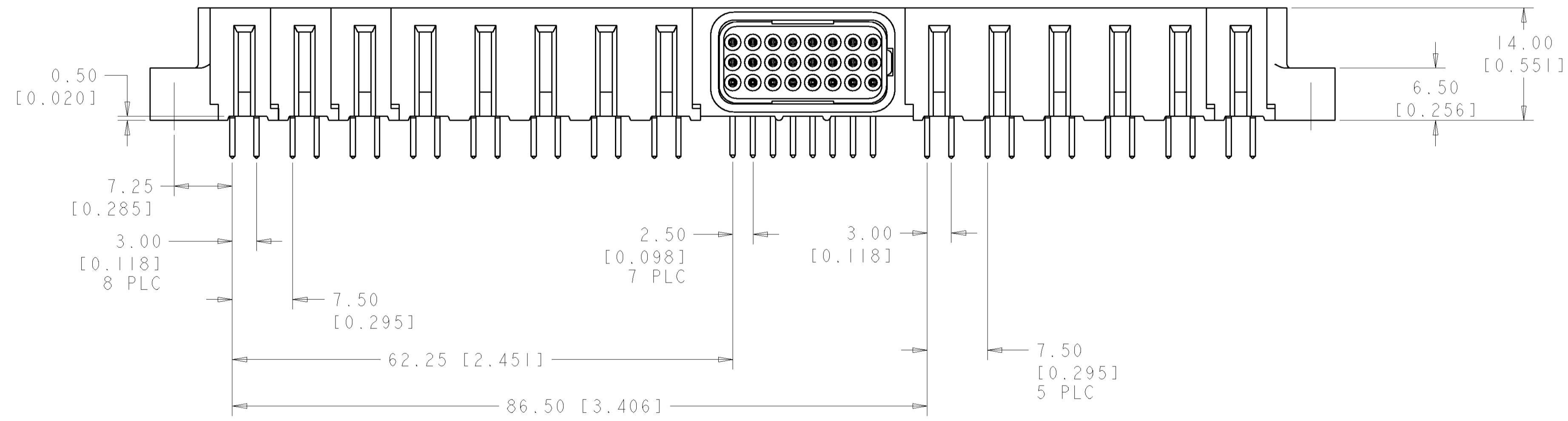


- PART NUMBER CHANGES AND OR DESIGN CHANGES AFFECTING ITEM INTERCHANGEABILITY REQUIRE PRIOR TYCO APPROVAL AND AUTHORIZATION BY REVISION TO THIS DRAWING.
- MATERIAL:
 - INSULATORS - THERMOPLASTIC, GLASS REINFORCED, COLOR: BLACK UL94V-0 FLAMMABILITY RATED.
 - SOLDER SIGNAL PIN: BRASS ALLOY
 - POWER CONTACTS - PHOSPHOR BRONZE ALLOY, COPPER ALLOY
 - CROWN BANDS - BERYLLIUM COPPER ALLOY
 - SIGNAL CONTACTS - BRASS ALLOY
- FINISH:
 - CONTACTS - GOLD PLATE .000030 INCH MIN. THK., OVER NICKEL
 - .000040 INCH MIN. THK SOLDER TAILS, TIN, .000100 INCH MIN. THK.

△ ITEMS PROVIDED TO THIS SPECIFICATION TO BE PERMANENTLY IDENTIFIED PER THE FOLLOWING IDENTIFIER LABEL

YEAR WEEK
 TYCO PART NO. DATE CODE (e.g. 0106)
 XXXXXXXX-X XXXX

△ MOUNTING FLANGES ACCEPTS M3 OR #4-40 SCREWS (USER SUPPLIED)

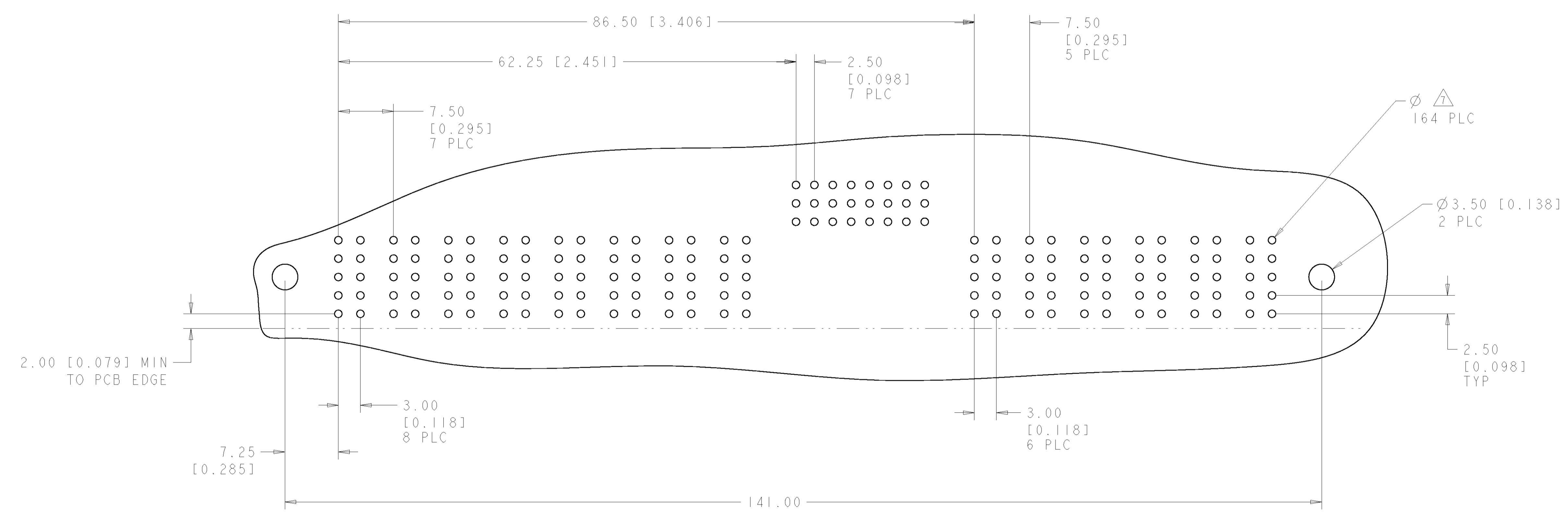


ELCON FLATPAQ

AS SHOWN		6651788-1	
DESCRIPTION		PART NUMBER	
DIMENSIONS: mm [INCHES] TOLERANCES UNLESS OTHERWISE SPECIFIED: 0 PLC ± .5 [0.020] 1 PLC ± .25 [0.010] 2 PLC ± .15 [0.005] 3 PLC ± .10 [0.0025] 4 PLC ± .05 [0.00125] ANGLES ± .5		DWN: R. GRZYBOWSKI 16MAR2006 CHK: P. DAMATO 16MAR2006 APVD: S. FLICKINGER 16MAR2006 PRODUCT SPEC APPLICATION SPEC WEIGHT CUSTOMER DRAWING	
MATERIAL: - FINISH: -		Tyco Electronics Harrisburg, PA 17105-3608 NAME: S. FLICKINGER TOP ASSEMBLY CONNECTOR, SOCKET RIGHT ANGLE, SOLDER TAILS SIZE: A 00779 C=6651788 SCALE: 3:1 SHEET 1 OF 3 REV A	

LOC	DIST	P	LTR	DESCRIPTION	DATE	DRN	APVD
GP	00	-	-	SEE SHEET 1	-	-	-

CONNECTOR	CATALOG MODULE #	QTY	SIZE NO.	CONTACT QTY	MATING PIN	MAX. CURRENT (PER CONTACT)	CONTACT SPACING	VOLTAGE RATING
SOCKET	FP104	14	8	6	1.25 X 7.00 [.049 X .276]	35 amps	7.50 [.2953]	250
	FP303	1	22	1	.64 [.025] SQ.	3 amps	2.50 [.0984]	125 VOLTS
	FP0500	1	LEFT MOUNTING FLANGE					
	FP0501	1	RIGHT MOUNTING FLANGE					

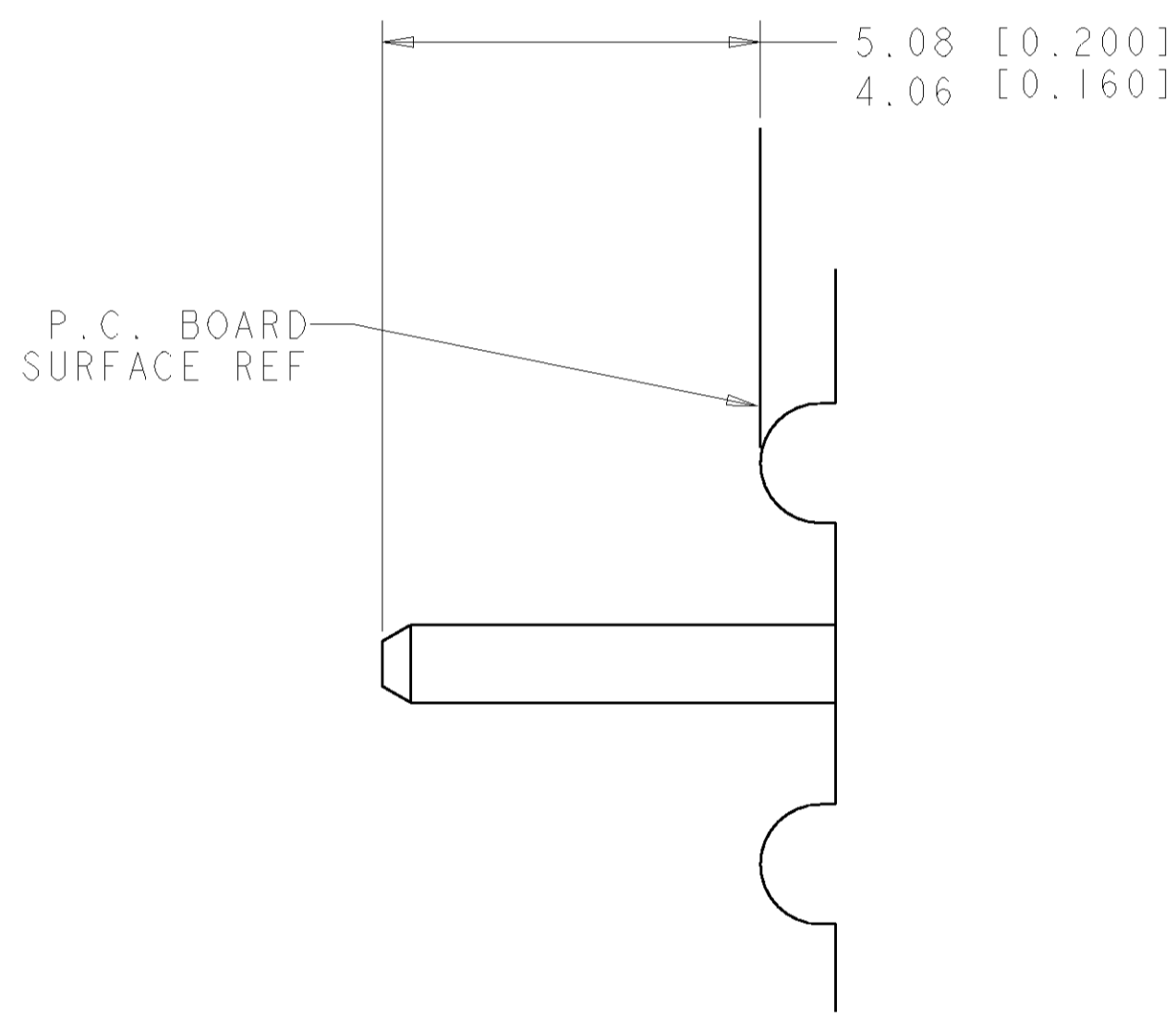


PRINTED CIRCUIT LAYOUT
 COMPONENT SIDE

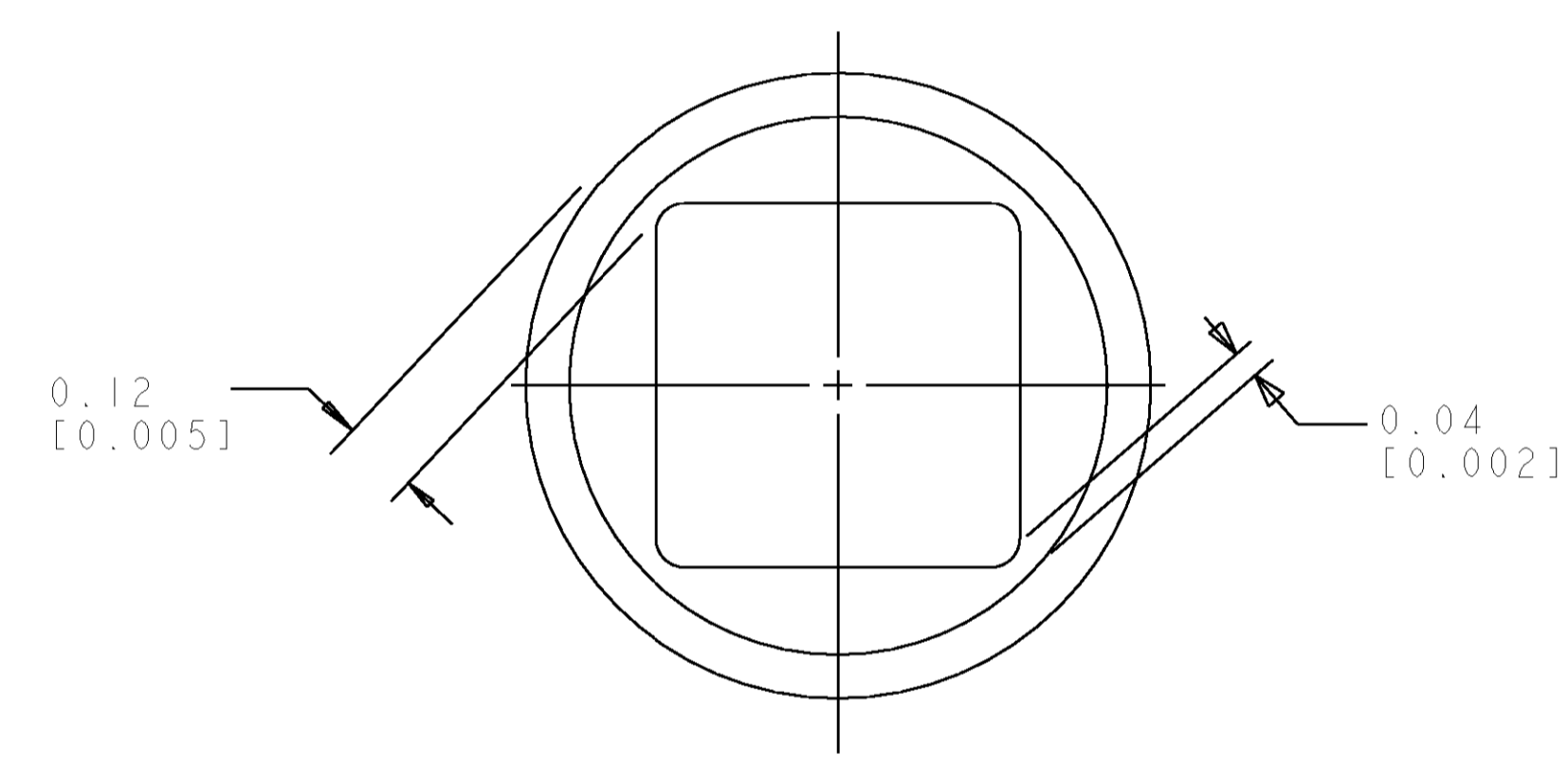
ELCON FLATPAQ

DIMENSIONS: mm [INCHES] TOLERANCES UNLESS OTHERWISE SPECIFIED: 0 PLC ±.5 [.020] 1 PLC ±0.25 [.010] 2 PLC ±0.13 [.005] 3 PLC ±0.075 [.003] 4 PLC ±0.05 [.002] ANGLES ±.5		DWN B. GRZYBOWSKI 16MAR2006 CHK P. DAMATO 16MAR2006 APVD S. FLICKINGER 16MAR2006	tyco Tyco Electronics Harrisburg, PA 17105-3608
MATERIAL: - FINISH: -		PRODUCT SPEC: - APPLICATION SPEC: - WEIGHT: - CUSTOMER DRAWING	NAME: TOP ASSEMBLY CONNECTOR, SOCKET RIGHT ANGLE, SOLDER TAILS SIZE: A 00779 C=6651788 SCALE: 3:1 SHEET 2 OF 3 REV A

LOC	DIST	REVISIONS					
		P	LTR	DESCRIPTION	DATE	DWN	APVD
GP	00	-	-	SEE SHEET 1	-	-	-



6. SOLDER TAIL DETAIL
 SCALE 10 : 1



△ SOLDER TERMINATION AREA
 SCALE 40:1
 RECOMMENDED PRINTED CIRCUIT SOLDER HOLE
 FINISHED HOLE: $\varnothing 1.02 [0.40] \pm 0.08 [0.003]$
 DRILLED HOLE: $\varnothing 1.15 [0.453] \pm 0.13 [0.005]$
 COPPER PLATE: .025 [0.0010] MIN.
 TIN PLATE: .0005 [0.00020] MIN. (PER SURFACE)

ELCON FLATPAQ

<small>THIS DRAWING IS UNPUBLISHED. RELEASED FOR PUBLICATION. ALL RIGHTS RESERVED. THIS DRAWING IS THE PROPERTY OF TYCO ELECTRONICS CORPORATION. IT IS TO BE USED ONLY FOR THE PURPOSES AND ORGANIZATION SPECIFIED HEREIN. NO PARTS OF THIS DRAWING ARE TO BE REPRODUCED OR TRANSMITTED IN ANY FORM OR BY ANY MEANS, ELECTRONIC OR MECHANICAL, INCLUDING PHOTOCOPYING, RECORDING, OR BY ANY INFORMATION STORAGE AND RETRIEVAL SYSTEM, WITHOUT THE WRITTEN PERMISSION OF TYCO ELECTRONICS CORPORATION.</small>		DWN R. GRZYBOWSKI 16MAR2006 CHK P. DAMATO 16MAR2006 APVD S. FLICKINGER 16MAR2006	Tyco Electronics Harrisburg, PA 17105-3608
DIMENSIONS: mm [INCHES]	TOLERANCES UNLESS OTHERWISE SPECIFIED: 0 PLC ± 1 PLC ±0.5 [0.020] 2 PLC ±0.25 [0.010] 3 PLC ±0.013 4 PLC ±0.001 ANGLES ± 5	NAME TOP ASSEMBLY CONNECTOR, SOCKET RIGHT ANGLE, SOLDER TAILS	SIZE CAGE CODE DRAWING NO A 100779 C-6651788
MATERIAL -	FINISH -	WEIGHT -	RESTRICTED TO -
CUSTOMER DRAWING		SCALE 3:1	SHEET 3 OF 3 REV A

X-ON Electronics

Largest Supplier of Electrical and Electronic Components

Click to view similar products for [Heavy Duty Power Connectors](#) category:

Click to view products by [TE Connectivity](#) manufacturer:

Other Similar products are found below :

[1424439](#) [1424438](#) [09330062652](#) [2-8675P1](#) [580129-2](#) [605601-1](#) [6340G1](#) [6341G1](#) [6360G1](#) [6373G1](#) [6374g2](#) [6396G1](#) [647757-1](#) [66394-4](#)
[6643411-1](#) [6646058-2](#) [6646137-1](#) [6646138-1](#) [6646348-1](#) [6646479-1](#) [6646608-1](#) [6646786-1](#) [6646940-1](#) [6651091-1](#) [6651525-1](#) [6651529-1](#)
[6651778-1](#) [6651788-1](#) [696465-1](#) [696475-1](#) [73000005059](#) [73000005349](#) [73000005642](#) [73080255059](#) [73080965046](#) [765-15-0080A](#)
[765-16-0080B](#) [789.700-44](#) [789.700-54](#) [80-1010](#) [80-9](#) [827381-1](#) [829992-1](#) [902-77-02113](#) [PL00U-301-10D10](#) [PM103MOOLOO](#)
[PM16S1620S32-50](#) [PM212MOOLOO](#) [PM309FOOLOO](#) [PM324FOOLCH](#)