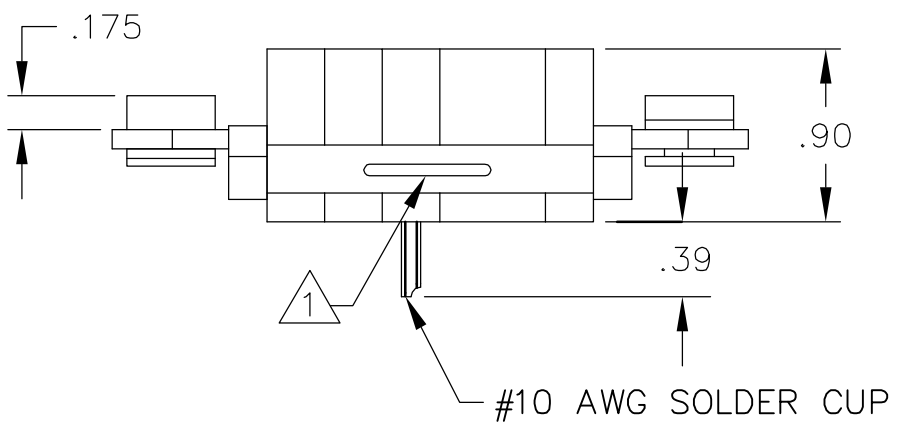
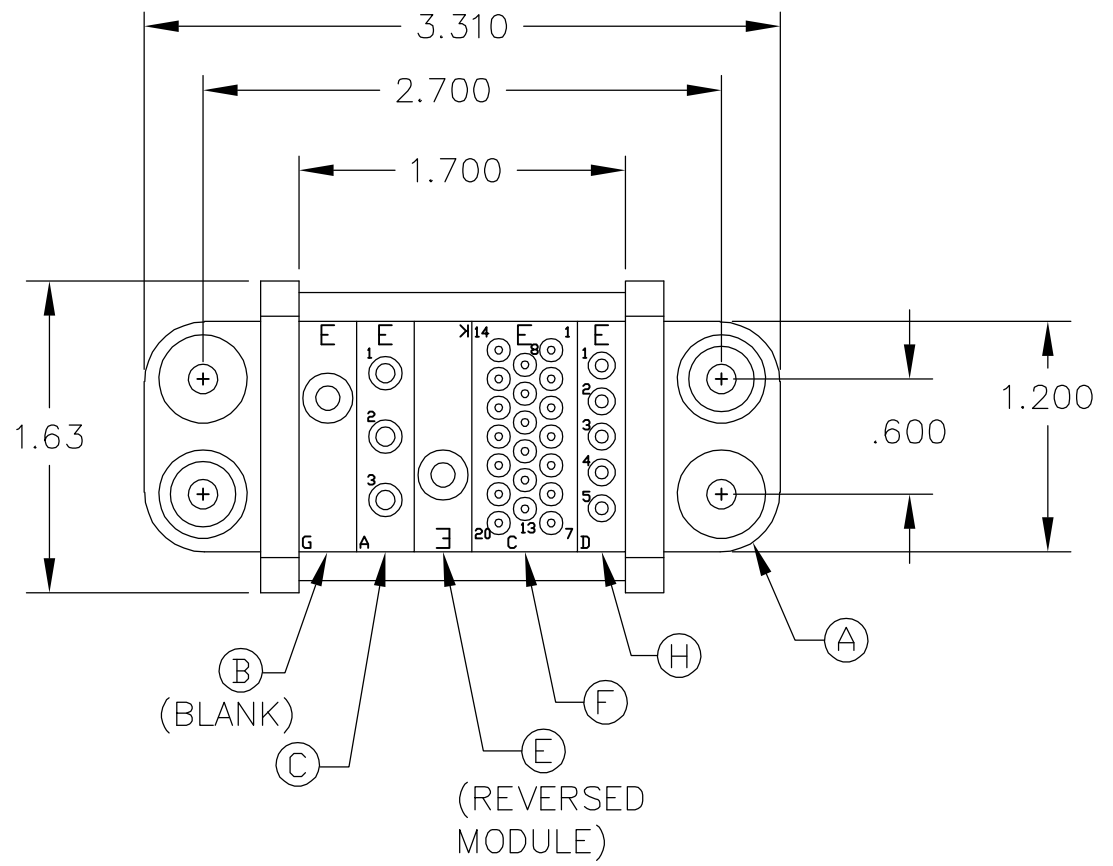


THIS DRAWING IS UNPUBLISHED. RELEASED FOR PUBLICATION
 © COPYRIGHT - BY TYCO ELECTRONICS CORPORATION. ALL RIGHTS RESERVED.

LOC	DIST	REVISIONS					
GP	00	P	LTR	DESCRIPTION	DATE	DWN	APVD
			A	RELEASED	24OCT06	RG	DO



1 ITEMS PROVIDED TO THIS SPECIFICATION SHALL BE PERMANENTLY IDENTIFIED PER THE FOLLOWING IDENTIFIER:

YEAR WEEK
 TYCO PART NO. DATE CODE (e.g. 0225)
 XXXXXXX-X XXXX

2 SOCKET CRIMP CONTACTS (ITEMS F, J & L) ARE PACKAGED SEPARATELY AND SHIPPED LOOSE WITH THE CONNECTOR ASSEMBLY.

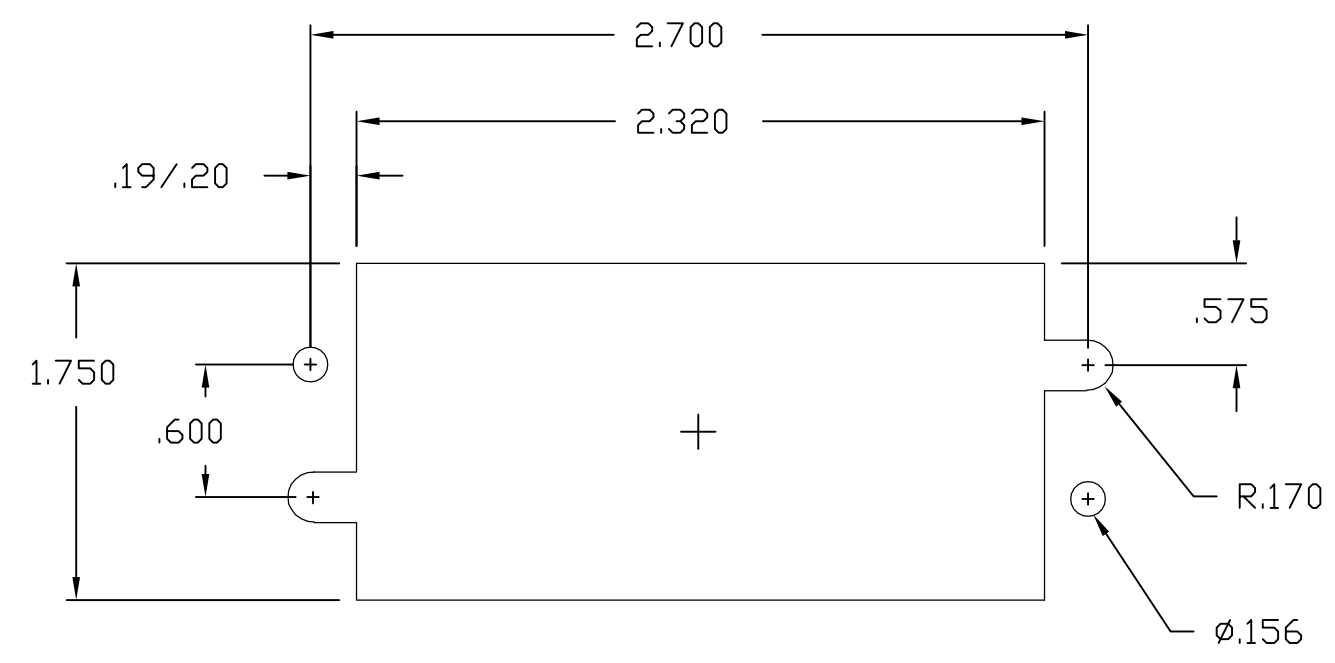
3 MODULE K SOCKET CONTACT (ITEM G) INSTALLED.

2	5	6648319-1	SA CONTACT, SOCKET, #16, CRIMP	J
	1	1648469-1	TA HOUSING, SOCKET, MODULE D	H
2	20	1648325-1	SA CONTACT, SOCKET, #20, CRIMP	G
	1	1648468-1	TA HOUSING, SOCKET, MODULE C	F
3	1	6648475-1	TA HOUSING, SOCKET, MODULE K	E
2	3	6648318-1	SA CONTACT, SOCKET, #12, CRIMP	D
	1	1648466-1	TA HOUSING, SOCKET, MODULE A	C
	1	1648473-1	TA HOUSING, SOCKET, MOD G (BLANK)	B
	2	6648252-1	END CAP, FLOAT MNT, GUIDE SOCKET	A
	-1	PART NO.	DESCRIPTION	ITEM

THIS DRAWING IS A CONTROLLED DOCUMENT.		DWN R.GRZYBOWSKI 24OCT06	Tyco Electronics Corporation Harrisburg, PA 17105-3608	
DIMENSIONS: INCHES		CHK D.ORRIS 27FEB07	Tyco Electronics	
TOLERANCES UNLESS OTHERWISE SPECIFIED:		APVD S.FLICKINGER 27FEB07	NAME	
0 PLC ± -		PRODUCT SPEC	TOP ASSEMBLY CONNECTOR, SOCKET, DIMINO	
1 PLC ± -		APPLICATION SPEC	-	
2 PLC ± .012		SIZE	CAGE CODE	DRAWING NO
3 PLC ± .006		RESTRICTED TO	-	
4 PLC ± -		WEIGHT	-	
ANGLES ± .5		A3 00779 C-6651794		
MATERIAL		CUSTOMER DRAWING		
FINISH		SCALE 1:1 SHEET 1 OF 2 REV A		

THIS DRAWING IS UNPUBLISHED. RELEASED FOR PUBLICATION
 © COPYRIGHT - BY TYCO ELECTRONICS CORPORATION. ALL RIGHTS RESERVED.

LOC	DIST	REVISIONS			
P	LTR	DESCRIPTION	DATE	DWN	APVD
GP	00	SEE SHEET 1	-	-	-



THIS DRAWING IS A CONTROLLED DOCUMENT.		DWN R.GRZYBOWSKI	24OCT06	Tyco Electronics Corporation Harrisburg, PA 17105-3608	
DIMENSIONS: INCHES		CHK D.ORRIS	27FEB07		
		APVD S.FLICKINGER	27FEB07	NAME TOP ASSEMBLY CONNECTOR, SOCKET, DIMINO	
TOLERANCES UNLESS OTHERWISE SPECIFIED:		PRODUCT SPEC		RESTRICTED TO	
0 PLC ± -		APPLICATION SPEC		SIZE	CAGE CODE
1 PLC ± -		-		A3	00779
2 PLC ± .012		-		DRAWING NO	
3 PLC ± .006		-		C-6651794	
4 PLC ± -		-		SCALE	
ANGLES ± .5		-		1:1	
MATERIAL		WEIGHT		SHEET	
-		-		2 OF 2	
FINISH		CUSTOMER DRAWING		REV	
-		-		A	

X-ON Electronics

Largest Supplier of Electrical and Electronic Components

Click to view similar products for [Heavy Duty Power Connectors](#) category:

Click to view products by [TE Connectivity](#) manufacturer:

Other Similar products are found below :

[1424439](#) [1424438](#) [09330062652](#) [2-8675P1](#) [580129-2](#) [605601-1](#) [6340G1](#) [6341G1](#) [6360G1](#) [6373G1](#) [6374g2](#) [6396G1](#) [647757-1](#) [66394-4](#)
[6643411-1](#) [6646058-2](#) [6646137-1](#) [6646138-1](#) [6646348-1](#) [6646479-1](#) [6646608-1](#) [6646786-1](#) [6646940-1](#) [6651091-1](#) [6651525-1](#) [6651529-1](#)
[6651778-1](#) [6651788-1](#) [696465-1](#) [696475-1](#) [73000005059](#) [73000005349](#) [73000005642](#) [73080255059](#) [73080965046](#) [765-15-0080A](#)
[765-16-0080B](#) [789.700-44](#) [789.700-54](#) [80-1010](#) [80-9](#) [827381-1](#) [829992-1](#) [902-77-02113](#) [PL00U-301-10D10](#) [PM103MOOLOO](#)
[PM16S1620S32-50](#) [PM212MOOLOO](#) [PM309FOOLOO](#) [PM324FOOLCH](#)