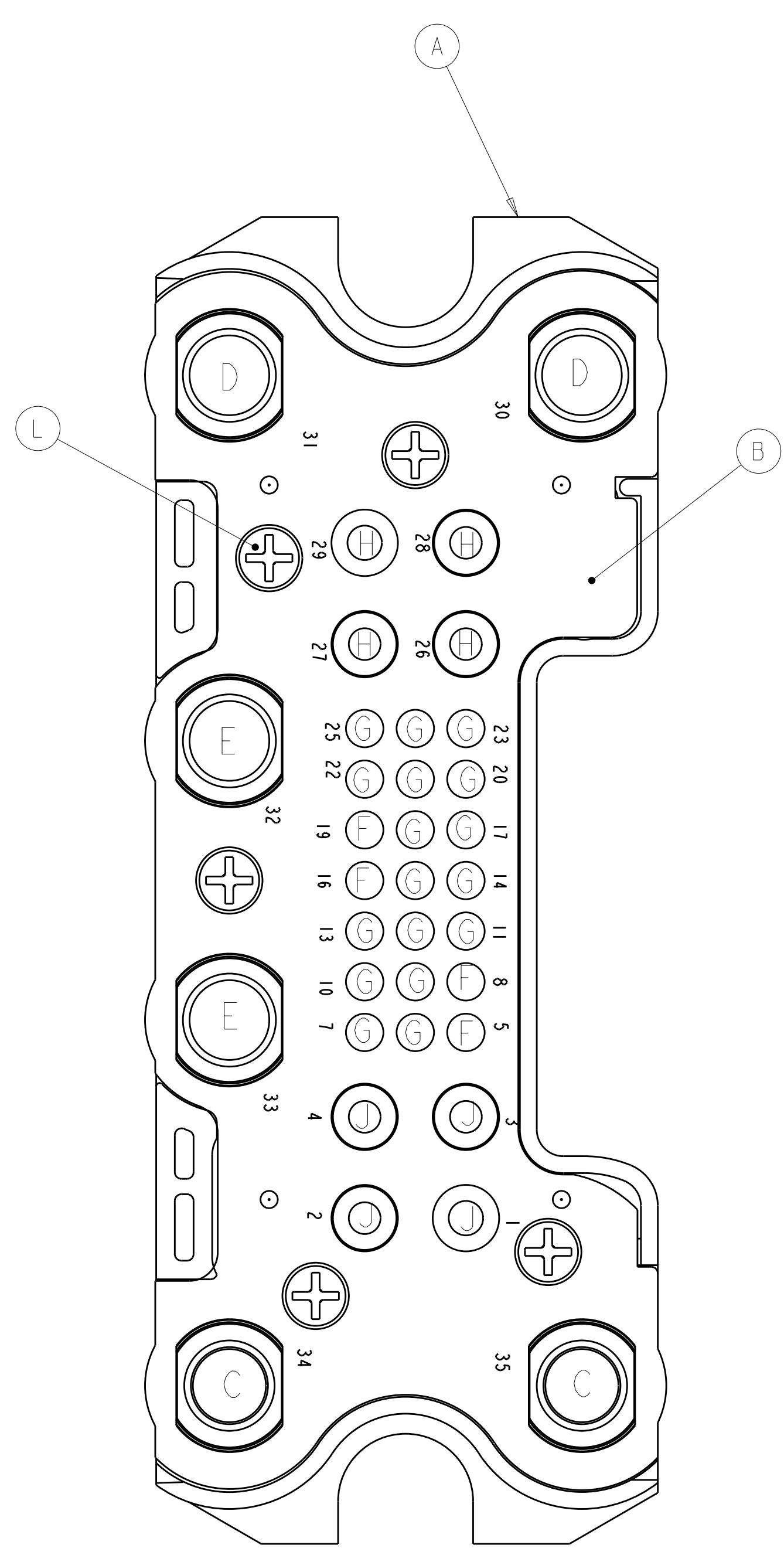
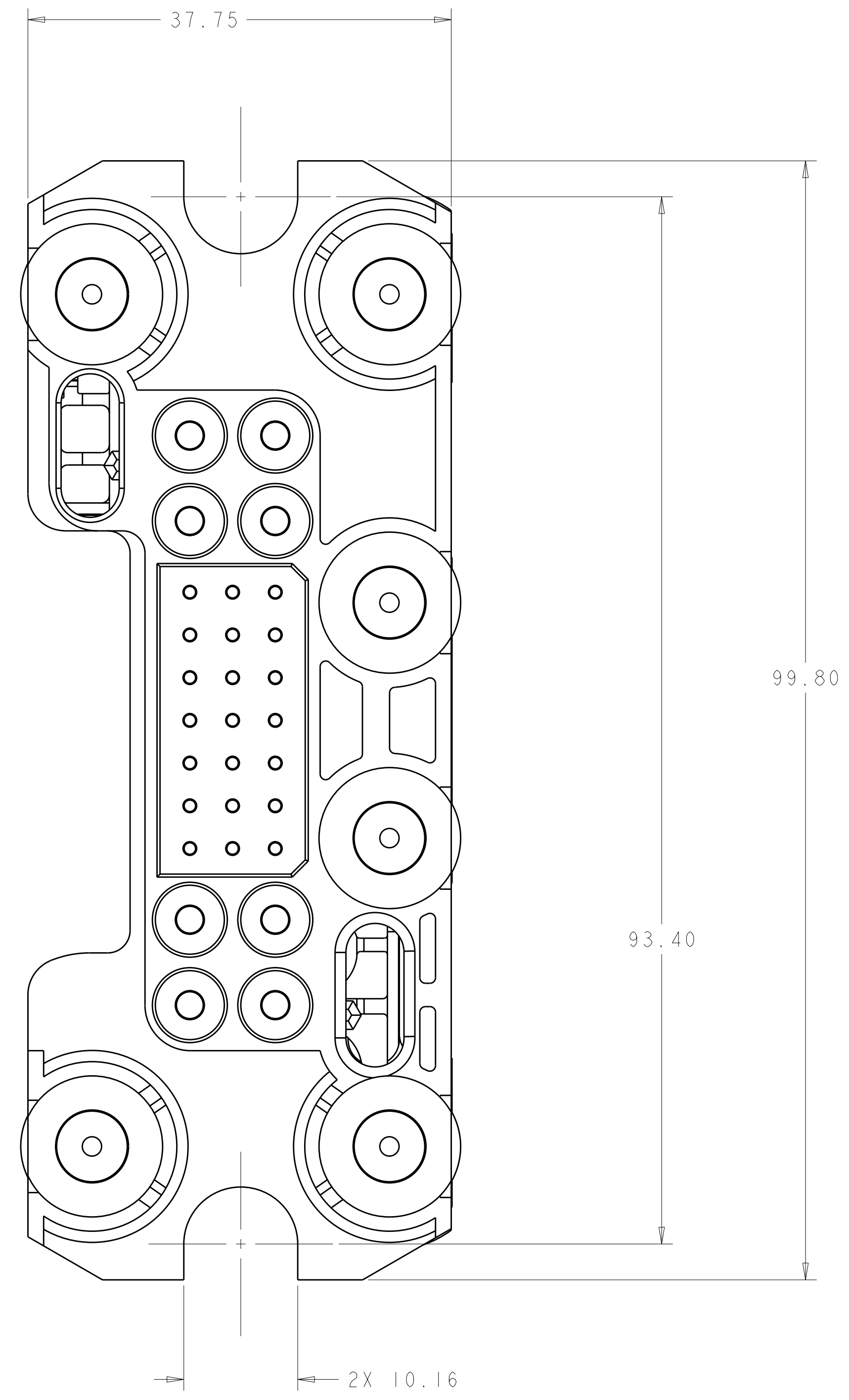
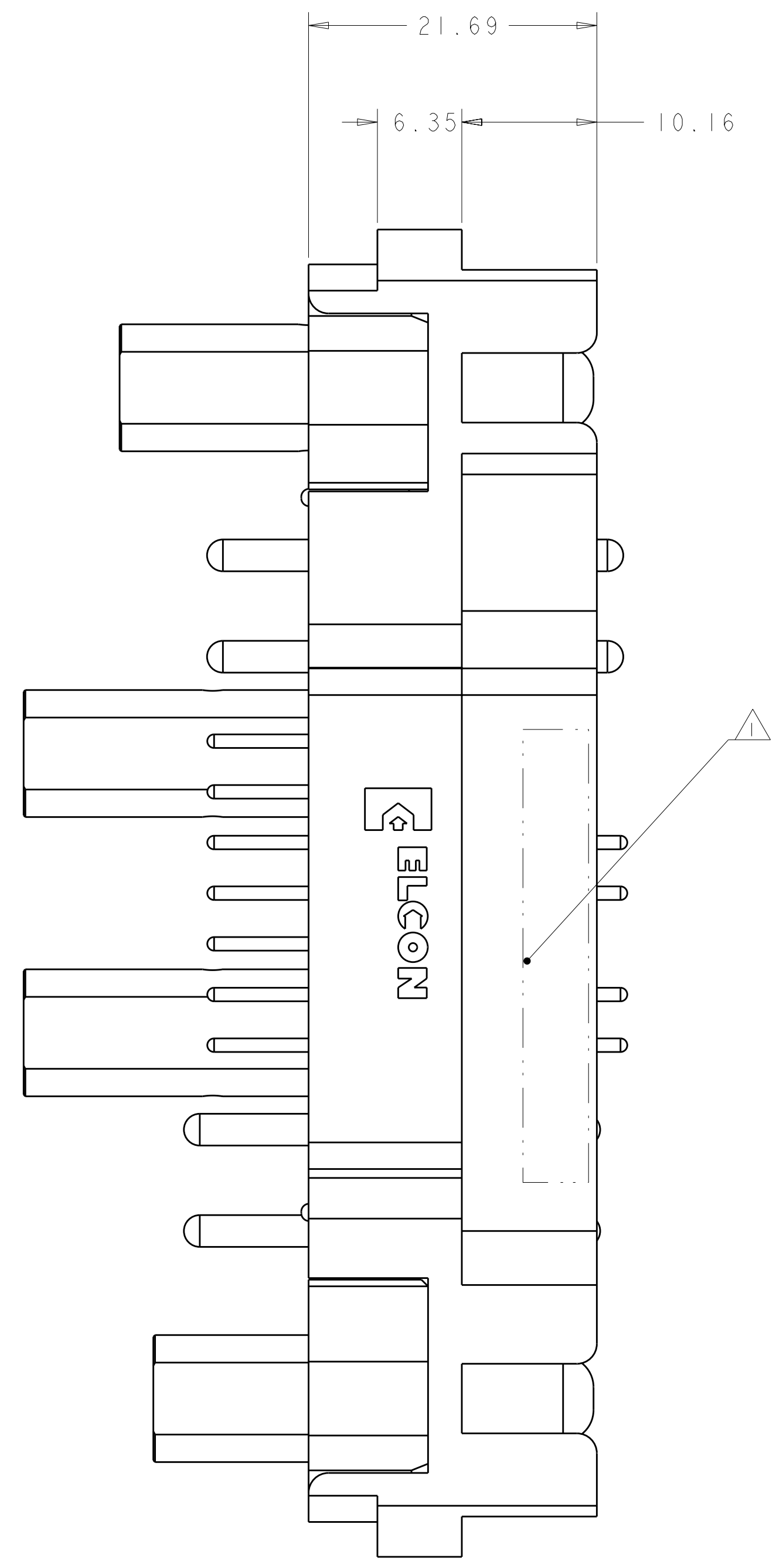


LOC	DIST	REVISIONS					
GP	00	P	LTR	DESCRIPTION	DATE	DWN	APVD
		B		REV PER ECO-09-014578	25JUN2009	RG	DO
		C		REV PER ECO-11-000358	14JAN2011	RG	DO

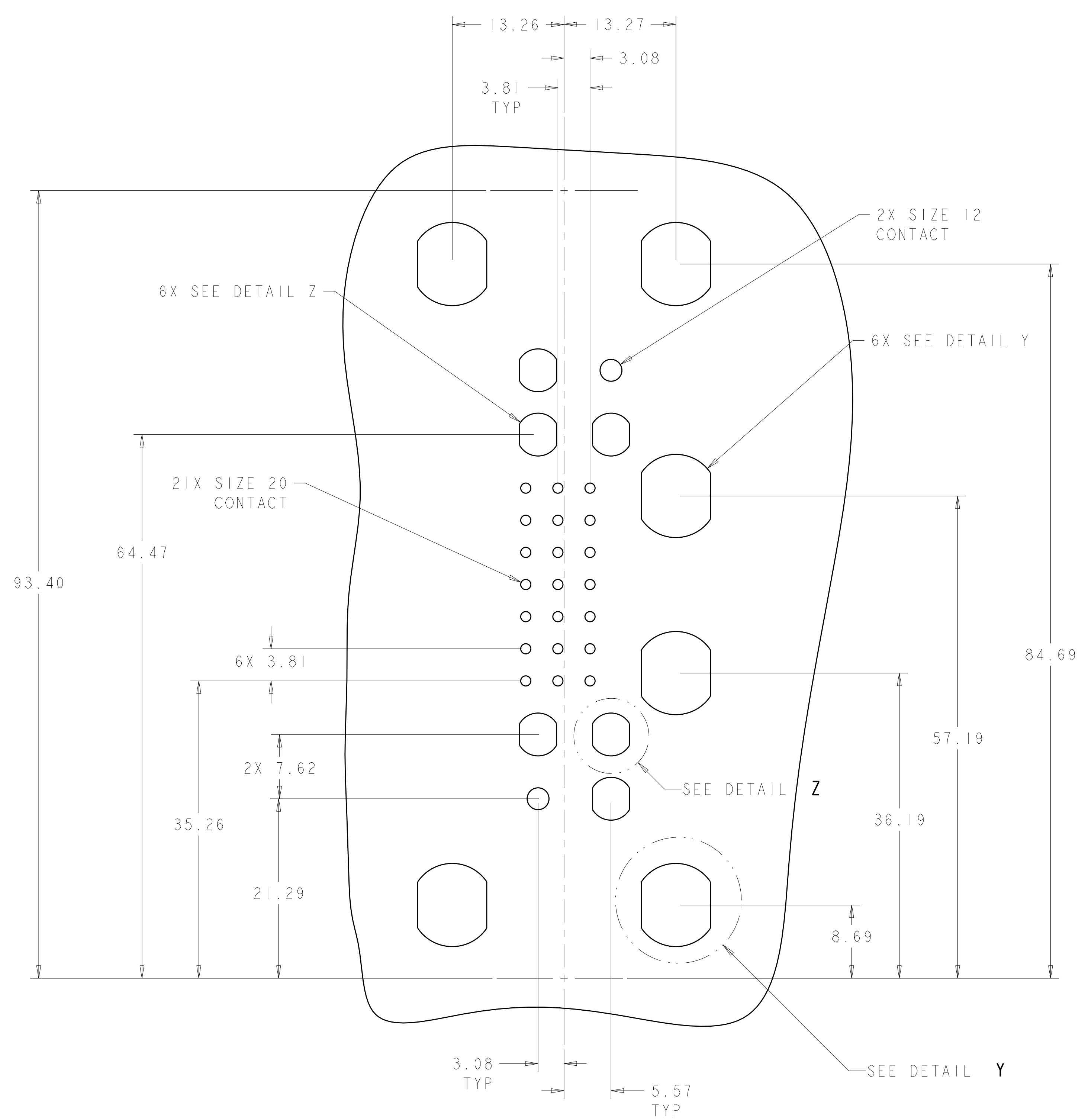


REAR VIEW
 CONTACTS REMOVED
 FOR CLARITY



DIMENSIONS: mm		TOLERANCES UNLESS OTHERWISE SPECIFIED: 9 PLC ±.5 1 PLC ±.5 2 PLC ±.25 3 PLC ±.5 4 PLC ±.5 ANGLES ±.5		DWN ALIM/GRZYBOSKI 25 JUNE 09 CHK D. ORRIS 25 JUNE 09 APVD CHAU/PERCHERRE 25 JUNE 09		Tyco Electronics Harrisburg, PA 17105-3608	
MATERIAL: 3		FINISH: 4		NAME: PIN CONNECTOR ASSEMBLY SCREW MOUNT CUSTOM DRAWER		SIZE: CAGE CODE: DRAWING NO: A100779C-6651816	
CUSTOMER DRAWING		SCALE: 3:1		SHEET 1 OF 2		REV C	

LOC	DIST	REV	DESCRIPTION	DATE	DNW	APVD
GP	00		SEE SHEET 1			



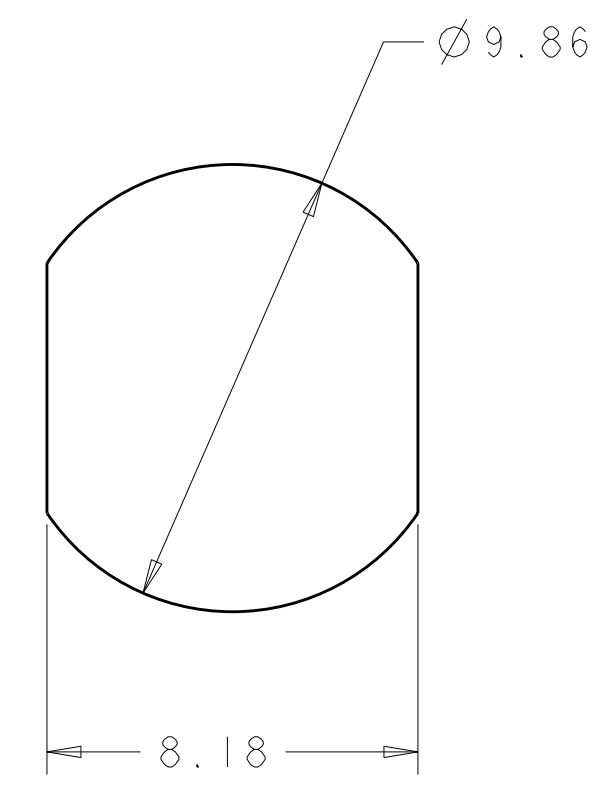
SUGGESTED PCB LAYOUT
 VIEWED FROM CONNECTOR MOUNTING SIDE

HOLE SIZE No. 20
 FINISHED HOLE: $\varnothing 1.19 \pm 0.08$
 DRILLED HOLE: $\varnothing 1.151 \pm 0.013$
 COPPER PLATE: 0.025 MIN (PER SURFACE)
 TIN PLATE: 0.076 MIN (PER SURFACE)

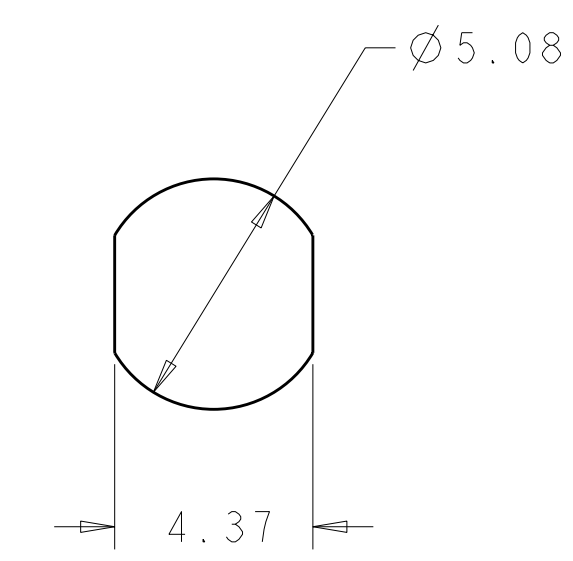
HOLE SIZE No. 12
 FINISHED HOLE: $\varnothing 2.59 \pm 0.08$
 DRILLED HOLE: $\varnothing 2.705 \pm 0.013$
 COPPER PLATE: 0.025 MIN (PER SURFACE)
 TIN PLATE: 0.076 MIN (PER SURFACE)

HOLE SIZE No. 12 THREADED POST
 CLEARANCE HOLE: SEE DETAIL Z

HOLE SIZE No. 4
 CLEARANCE HOLE: SEE DETAIL Y



DETAIL Y
 SCALE 6:1



DETAIL Z
 SCALE 6:1

ITEMS PROVIDED TO THIS SPECIFICATION SHALL BE PERMANENTLY IDENTIFIED PER THE FOLLOWING IDENTIFIER:

YEAR WEEK
 TYCO ELECTRONICS P/N DATE CODE (e.g. 0225)
 XXXXXXXX-X XXXX

2. PART NUMBER CHANGES AND OR DESIGN CHANGES AFFECTING ITEM INTERCHANGEABILITY REQUIRE PRIOR TYCO ELECTRONICS APPROVAL AND AUTHORIZATION BY REVISION TO THIS DRAWING.

3. MATERIAL:
 INSULATOR: THERMOPLASTIC, GLASS REINFORCED, UL RATED 94V-0, COLOR: BLACK
 PIN CONTACTS: COPPER ALLOY
 RETENTION CLIPS: BERYLLIUM COPPER OR STAINLESS STEEL

4. FINISH:
 SIZE No. 20 CONTACTS: GOLD PLATE 0.76 μ m MIN THK OVER NICKEL 1.02 μ m MIN THK
 SIZE No. 12 AND 4 CONTACTS: SILVER PLATE 5.08 μ m MIN THK OVER NICKEL 1.02 μ m MIN THK

5. PCB TAILS CONTACTS ARE INSERTABLE/NONREMOVABLE:
 SIZE No. 20 (ITEM F) LOADED IN POSN. 5, 8, 16 & 19
 SIZE No. 20 (ITEM G) LOADED IN POSN 6, 7, 9 THRU 15, 17, 18, 20 THRU 25
 SIZE No. 12 (ITEM J) LOADED IN POSN 1 THRU 4
 SIZE No. 12 (ITEM H) LOADED IN POSN 26 THRU 29
 SIZE No. 4 (ITEM E) LOADED IN POSN 32 AND 33
 SIZE No. 4 (ITEM D) LOADED IN POSN 30 AND 31
 SIZE No. 4 (ITEM C) LOADED IN POSN 34 AND 35

6. 15 in lbs MAX. TORQUE APPLIED ON SIZE 1/4 PIN CONTACT.

5	1766849-1	SCREW, SELF TAPPING	M
8	1650489-1	CLIP, RETENTION, No. 12	L
21	1650484-1	CLIP, RETENTION, No. 20	K
4	1766217-2	CONTACT, No. 12, PCB TAIL	J
4	1766217-1	CONTACT, No. 12, PCB TAIL, PREMATE	H
17	1650195-4	CONTACT, No. 20, PCB TAIL	G
4	1650195-2	CONTACT, No. 20, PCB TAIL, PREMATE	F
2	1766229-1	CONTACT, 1/4" TAPPED M5, 42.88mm LG	E
2	1766228-1	CONTACT, 1/4" TAPPED M5, 35.66mm LG	D
2	1766227-1	CONTACT, 1/4" TAPPED M5, 33.12mm LG	C
1	1651798-1	HOUSING, PIN, REAR INSERT	B
1	1651797-1	HOUSING, PIN, FRONT	A
-1	PART NO.	DESCRIPTION	ITEM

DIMENSIONS: mm TOLERANCES UNLESS OTHERWISE SPECIFIED: 9 PLC $\pm .5$ 1 PLC $\pm .5$ 5 PLC $\pm .25$ 4 PLC $\pm .$ ANGLES $\pm .$ FINISH $\pm .$		DWN ALIM/GRZYBOSKI 25 JUNE 09 CHK D ORRIS 25 JUNE 09 APVD CHAU/PERCHERRE 25 JUNE 09 PRODUCT SPEC 108-2285 APPLICATION SPEC 114-13206 MATERIAL: FINISH: WEIGHT:	Tyco Electronics Harrisburg, PA 17105-3608 NAME: PIN CONNECTOR ASSEMBLY SCREW MOUNT CUSTOM DRAWER SIZE: CAGE CODE: DRAWING NO: A100779 SCALE: 3:1 SHEET 2 OF 2 REV C
--	--	---	--

X-ON Electronics

Largest Supplier of Electrical and Electronic Components

Click to view similar products for [Heavy Duty Power Connectors](#) category:

Click to view products by [TE Connectivity](#) manufacturer:

Other Similar products are found below :

[1424439](#) [1424438](#) [09330062652](#) [2-8675P1](#) [580129-2](#) [605601-1](#) [6340G1](#) [6341G1](#) [6360G1](#) [6373G1](#) [6374g2](#) [6396G1](#) [647757-1](#) [66394-4](#)
[6643411-1](#) [6646058-2](#) [6646137-1](#) [6646138-1](#) [6646348-1](#) [6646479-1](#) [6646608-1](#) [6646786-1](#) [6646940-1](#) [6651091-1](#) [6651525-1](#) [6651529-1](#)
[6651778-1](#) [6651788-1](#) [696465-1](#) [696475-1](#) [73000005059](#) [73000005349](#) [73000005642](#) [73080255059](#) [73080965046](#) [765-15-0080A](#)
[765-16-0080B](#) [789.700-44](#) [789.700-54](#) [80-1010](#) [80-9](#) [827381-1](#) [829992-1](#) [902-77-02113](#) [PL00U-301-10D10](#) [PM103MOOLOO](#)
[PM16S1620S32-50](#) [PM212MOOLOO](#) [PM309FOOLOO](#) [PM324FOOLCH](#)