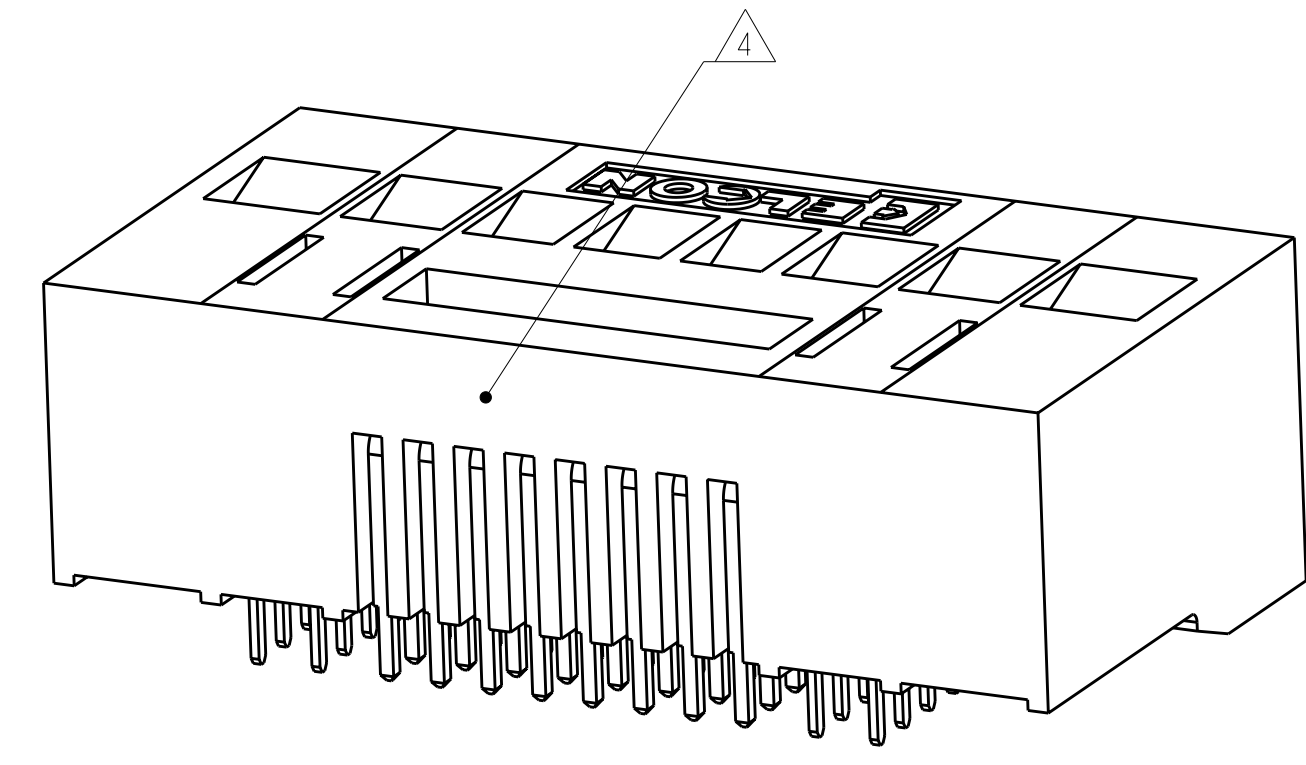
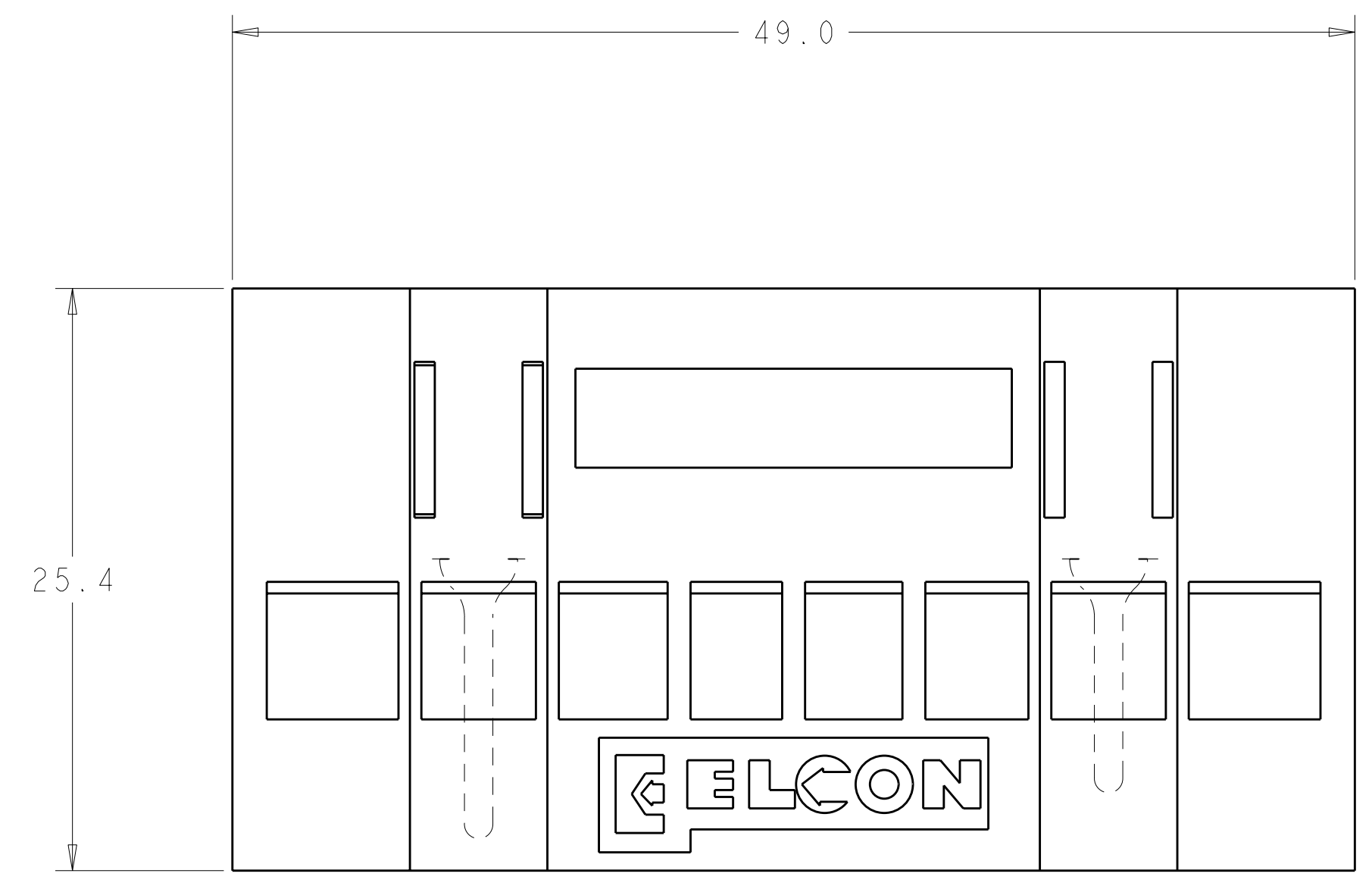


LOC	DIST	REVISIONS			
GP	00	REV	DATE	DWN	APVD
		A2	REV PER ECO-11-000681	10FEB2011	RG MS



SCALE 3:1



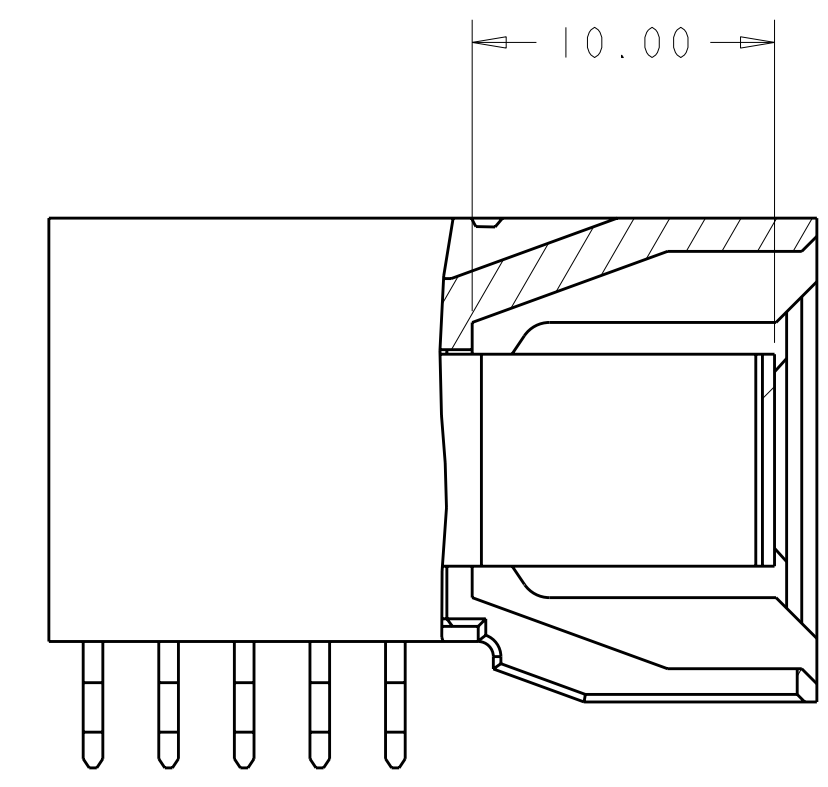
1. PART NUMBER CHANGES AND OR DESIGN CHANGES AFFECTING ITEM INTERCHANGEABILITY REQUIRE PRIOR TYCO ELECTRONICS APPROVAL AND AUTHORIZATION BY REVISION TO THIS DRAWING.

2. MATERIAL: INSULATORS - THERMOPLASTIC, GLASS REINFORCED, COLOR: BLACK
 UL94V-0 FLAMMABILITY RATED.
 SIGNAL PINS: BRASS ALLOY
 POWER CONTACTS: COPPER ALLOY

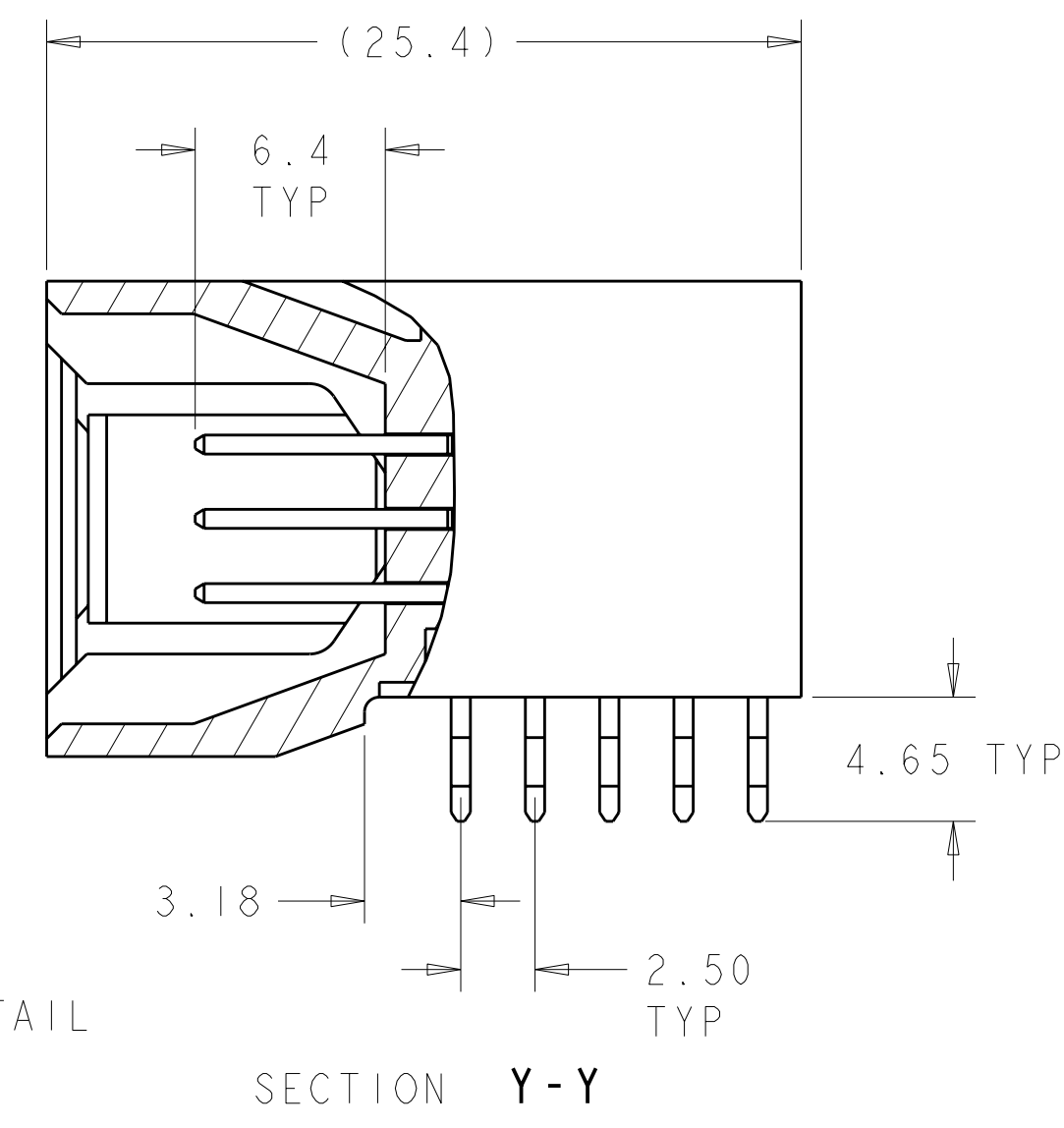
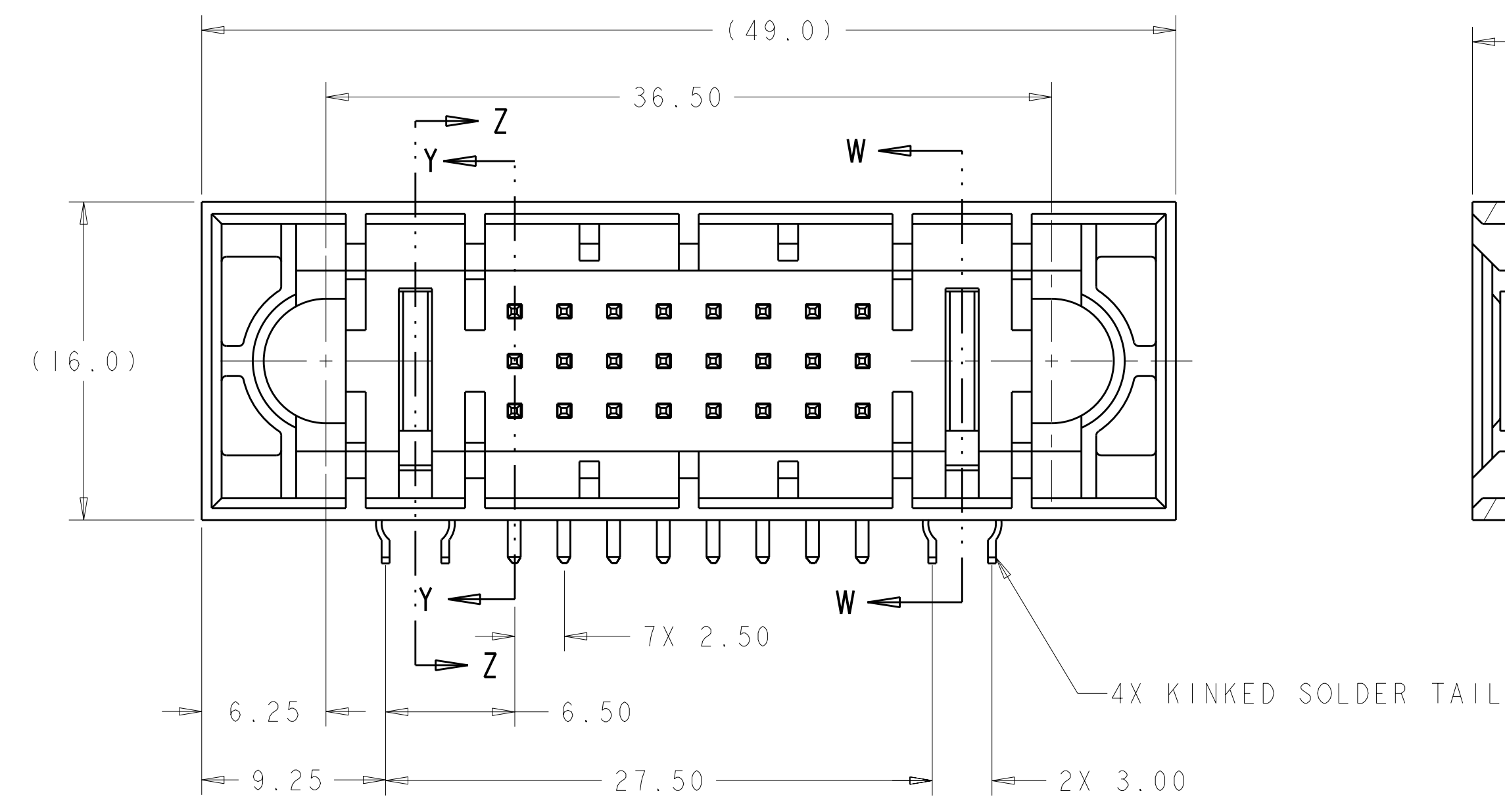
3. FINISH: CONTACTS: PLATING SELECTIVE GOLD 0.76µm MIN THK. OVER NICKEL 1.27µm MIN THK.
 TERMINALS: TIN PLATE 3.05µm MIN THK. OVER NICKEL 1.27µm MIN THK.

4. ITEMS PROVIDED TO THIS SPECIFICATION TO BE PERMANENTLY IDENTIFIED PER THE FOLLOWING IDENTIFIER LABEL

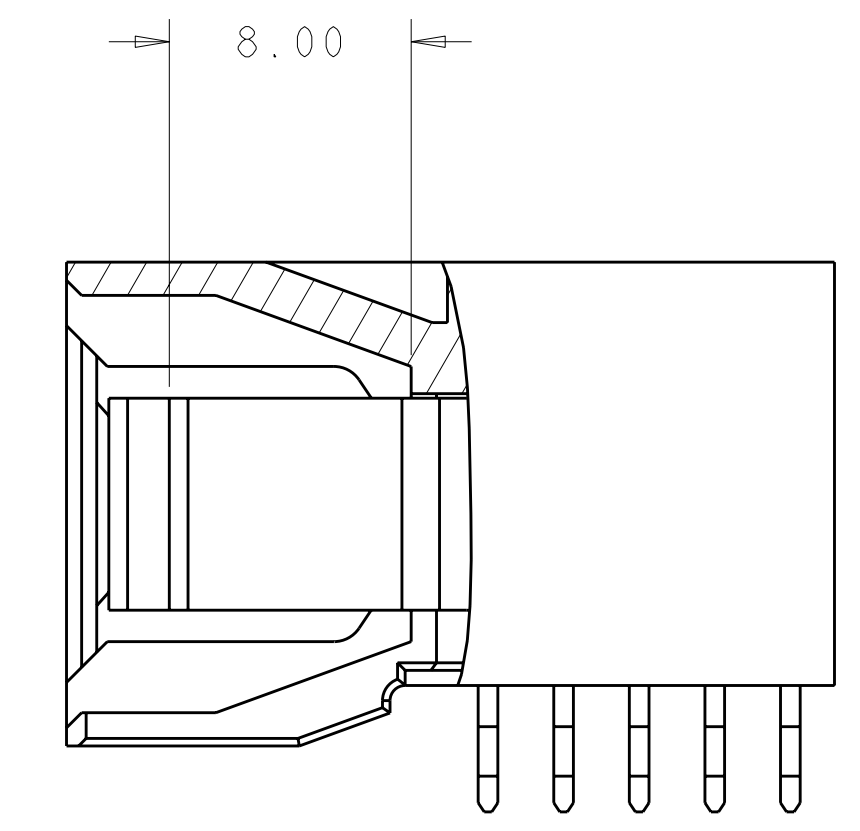
TYCO ELECTRONICS P/N DATE CODE (e.g. 0106)
 XXXXXXXX-X XXXX



SECTION Z-Z



SECTION Y-Y



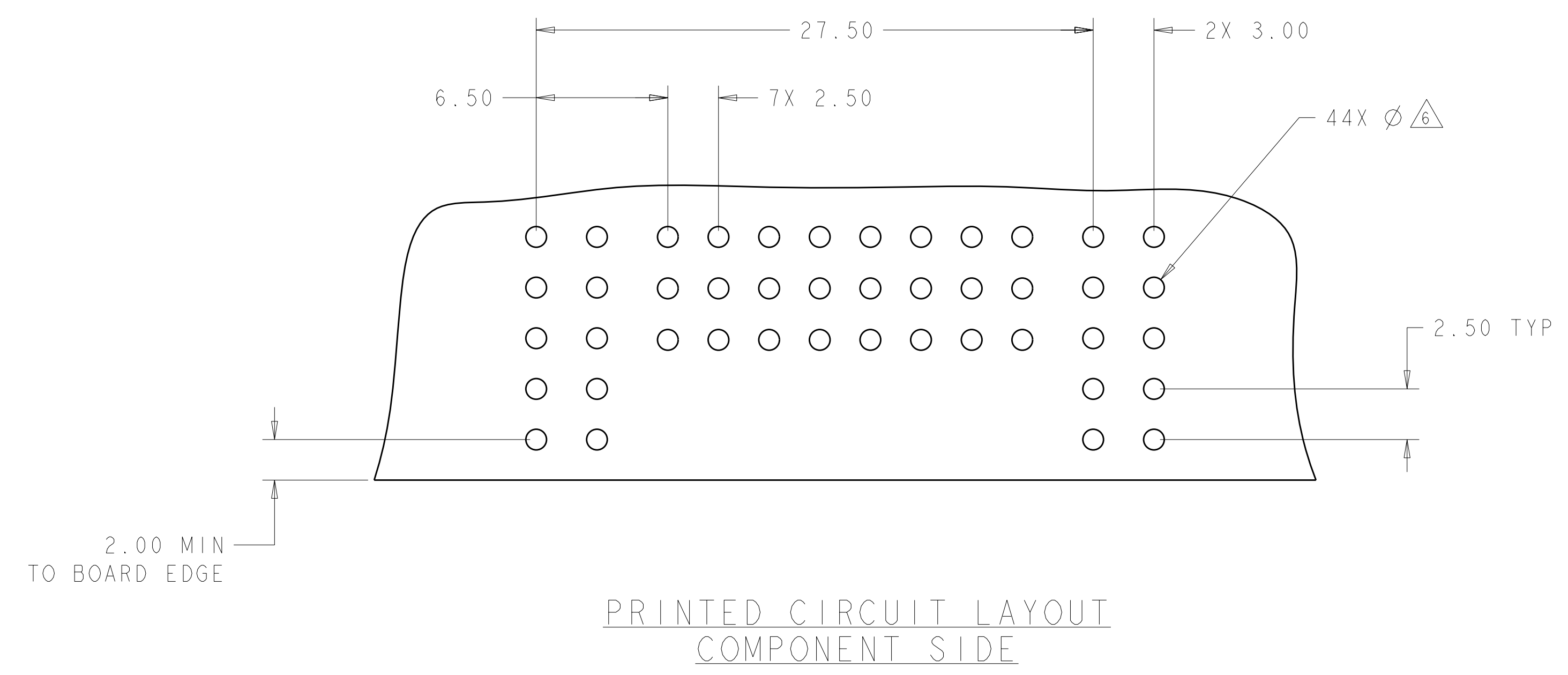
SECTION W-W

6651939-1
 PART NUMBER

ELCON MINI PAK

DIMENSIONS: mm 0 PLC ±.5 1 PLC ±.5 2 PLC ±.25 3 PLC ±.25 4 PLC ±.25 ANGLES ±.5		TOLERANCES UNLESS OTHERWISE SPECIFIED: 0 PLC ±.5 1 PLC ±.5 2 PLC ±.25 3 PLC ±.25 4 PLC ±.25 ANGLES ±.5		DWN R. GRZYBOWSKI 10FEB2011 CHK M. SYKES 10FEB2011 APVD M. SYKES 10FEB2011		Tyco Electronics Harrisburg, PA 17105-3608	
MATERIAL:		FINISH:		PRODUCT SPEC APPLICATION SPEC WEIGHT CUSTOMER DRAWING		NAME PIN CONNECTOR ASSEMBLY RIGHT ANGLE, SOLDER TAIL MINIPAK	
SCALE 4:1		SHEET 1 OF 3		DRAWING NO. A100779C-6651939		RESTRICTED TO	

LOC	DIST	REVISIONS			
REV	DATE	DESCRIPTION	DATE	DWN	APVD
GP	00	-	-	-	-
		SEE SHEET 1			

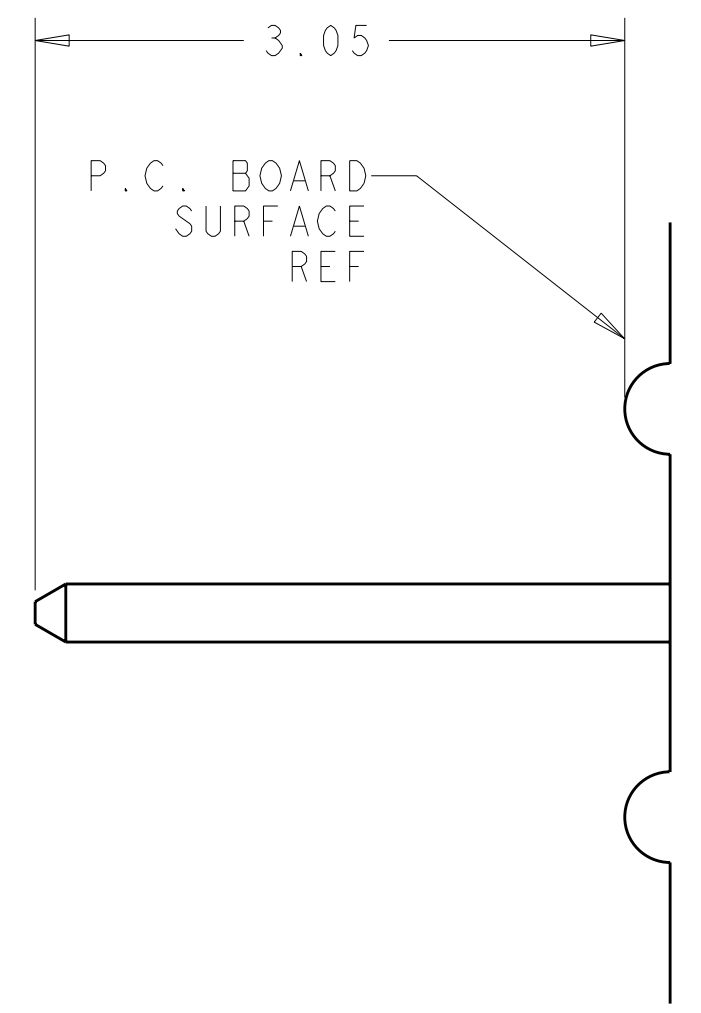


ELCON MINI PAK

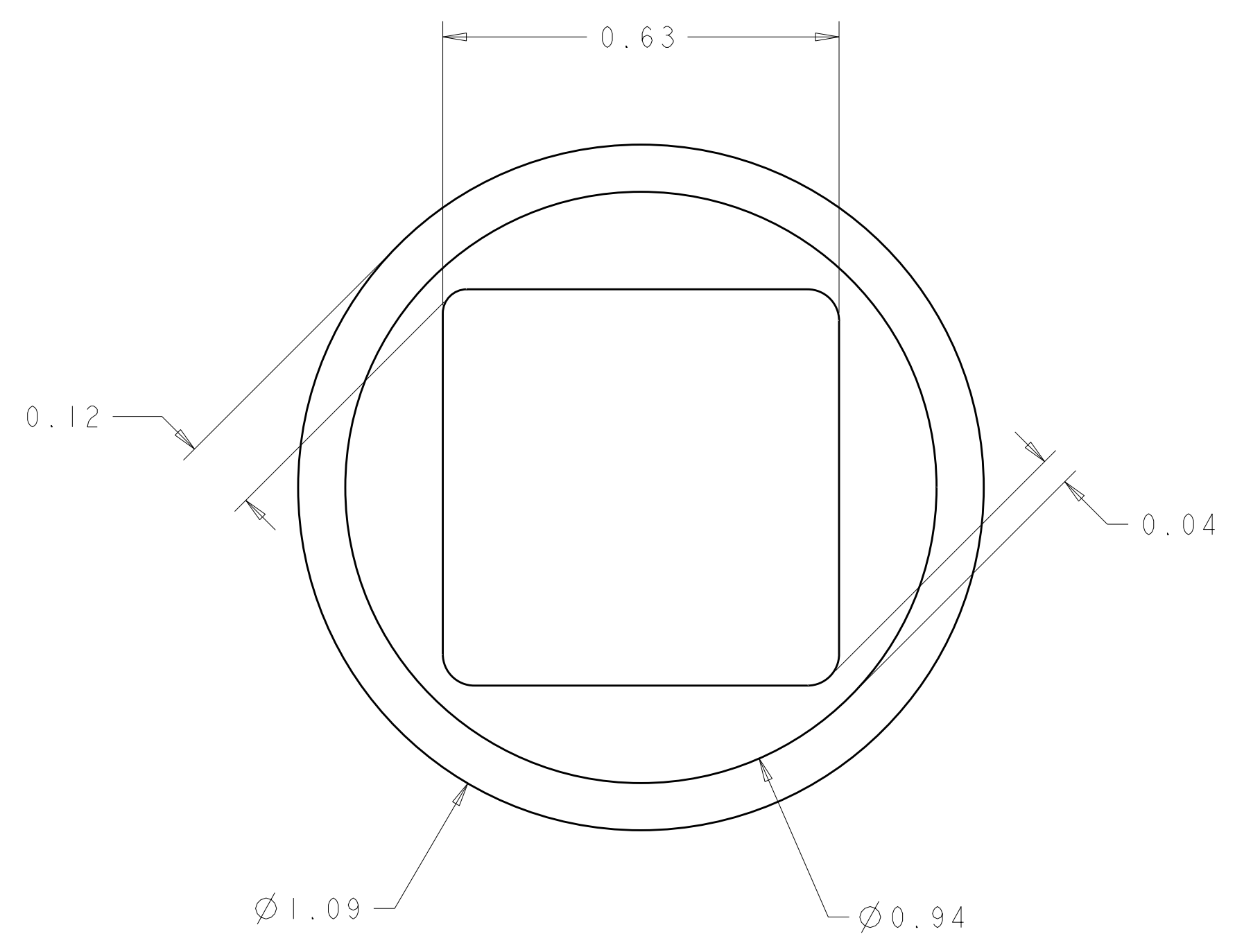
AMP 4805 REV 31MAR2000

<small>THIS DRAWING IS UNPUBLISHED. RELEASED FOR PUBLICATION BY TYCO ELECTRONICS CORPORATION. IT IS SUBJECT TO CHANGE WITHOUT NOTICE AND CONSTRUCTION DIMENSIONS SHALL BE CONTACTED FOR THE LATEST REVISION.</small>		DWN: R. GRZYBOWSKI 10FEB2011 CHK: M. SYKES 10FEB2011 APVD: M. SYKES 10FEB2011	Tyco Electronics Harrisburg, PA 17105-3608
DIMENSIONS: mm 	TOLERANCES UNLESS OTHERWISE SPECIFIED: 0 PLC ±.5 1 PLC ±.5 2 PLC ±.25 3 PLC ±.5 4 PLC ±.5 ANGLES ±.5 FINISH	NAME: R. GRZYBOWSKI PRODUCT SPEC: APPLICATION SPEC: WEIGHT: CUSTOMER DRAWING	Tyco Electronics PIN CONNECTOR ASSEMBLY RIGHT ANGLE, SOLDER TAIL MINIPAK SIZE: A 00779 C=6651939 SCALE: 4:1 SHEET 2 OF 3 REV A2

LOC	DIST	REVISIONS			
REV	DATE	DESCRIPTION	DATE	DWN	APVD
GP	00	SEE SHEET 1	-	-	-



5. SOLDER PIN DETAIL
 SCALE 10 : 1



6. SOLDER TERMINATION AREA
 SCALE 40:1
 RECOMMENDED PRINTED CIRCUIT SOLDER HOLE
 FINISHED HOLE: Ø1.02 ±.08
 DRILLED HOLE: Ø1.15 ±.013
 COPPER PLATE: .025 MIN. (PER SURFACE)
 TIN PLATE: .008 MIN. (PER SURFACE)

<small>THIS DRAWING IS UNPUBLISHED. RELEASED FOR PUBLICATION 20 © COPYRIGHT 20 BY TYCO ELECTRONICS CORPORATION. ALL RIGHTS RESERVED.</small>		DWN R. GRZYBOWSKI 10FEB2011 CHK M. SYKES 10FEB2011 APVD M. SYKES 10FEB2011	Tyco Electronics Harrisburg, PA 17105-3608
DIMENSIONS: mm 	TOLERANCES UNLESS OTHERWISE SPECIFIED: 0 PLC ±.5 1 PLC ±.5 2 PLC ±.25 3 PLC ±.25 4 PLC ±.5 ANGLES ±.5 FINISH	NAME PRODUCT SPEC APPLICATION SPEC WEIGHT CUSTOMER DRAWING	PIN CONNECTOR ASSEMBLY RIGHT ANGLE, SOLDER TAIL MINIPAK SIZE CAGE CODE DRAWING NO A100779C-6651939 SCALE 4:1 SHEET 3 OF 3 REV A2

X-ON Electronics

Largest Supplier of Electrical and Electronic Components

Click to view similar products for [Power to the Board](#) category:

Click to view products by [TE Connectivity](#) manufacturer:

Other Similar products are found below :

[10131318-08512GRLF](#) [6450171-4](#) [6450552-7](#) [6600323-8](#) [6643429-1](#) [6646040-2](#) [6651939-1](#) [6766604-1](#) [120959-1](#) [1393557-2](#) [1393532-2](#)
[1393532-3](#) [1393532-4](#) [1393557-1](#) [1600812-5](#) [1-6450861-2](#) [1645595-1](#) [1743490-1](#) [1744132-7](#) [1761122-1](#) [1766169-1](#) [1766250-1](#) [18362](#)
[1892109-1](#) [1-967627-6](#) [2226808-1](#) [2-6450860-5](#) [2-6450860-6](#) [2-6450870-0](#) [93003-0502](#) [953552-1](#) [1-6450161-4](#) [1-6450850-6](#) [1645526-2](#) [1-](#)
[6600130-0](#) [1743419-1](#) [1766150-1](#) [2005243-2](#) [211110-1](#) [2-6600130-2](#) [TE34-12-16P-F0](#) [51700-10201602AALF](#) [5-6450830-6](#) [5646956-4](#)
[36662-0005](#) [40585-3000](#) [4-6450830-9](#) [4-6600333-3](#) [51142-0214](#) [10125416-4050LF](#)