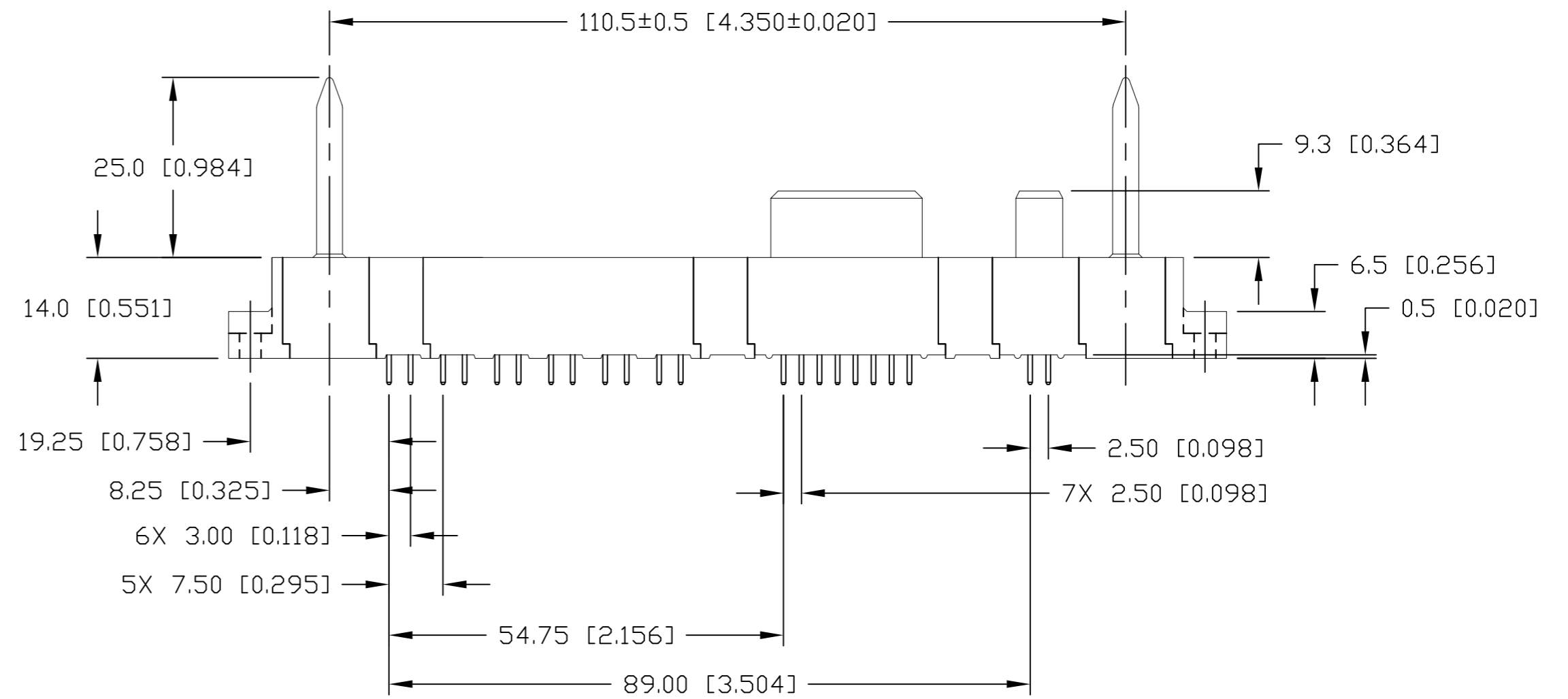
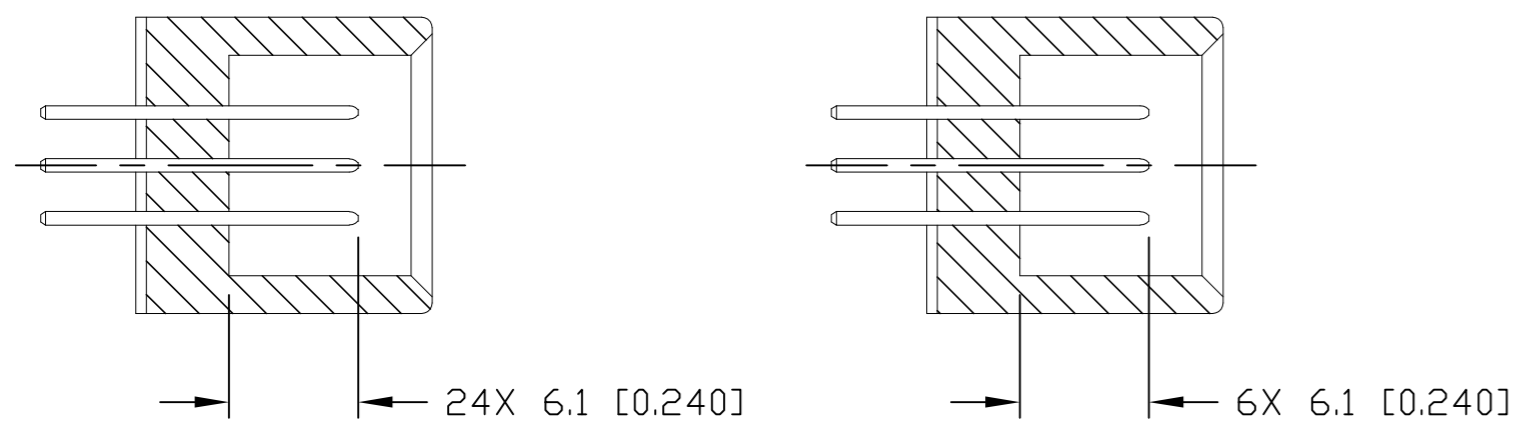
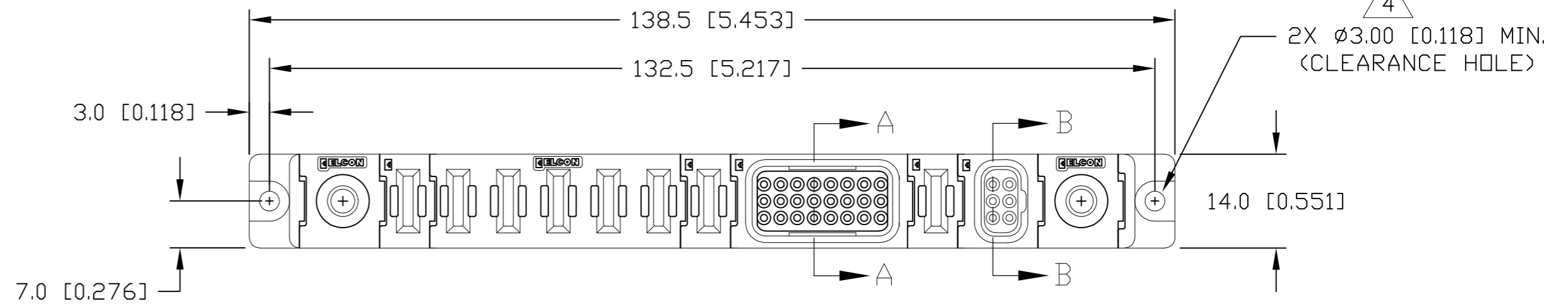
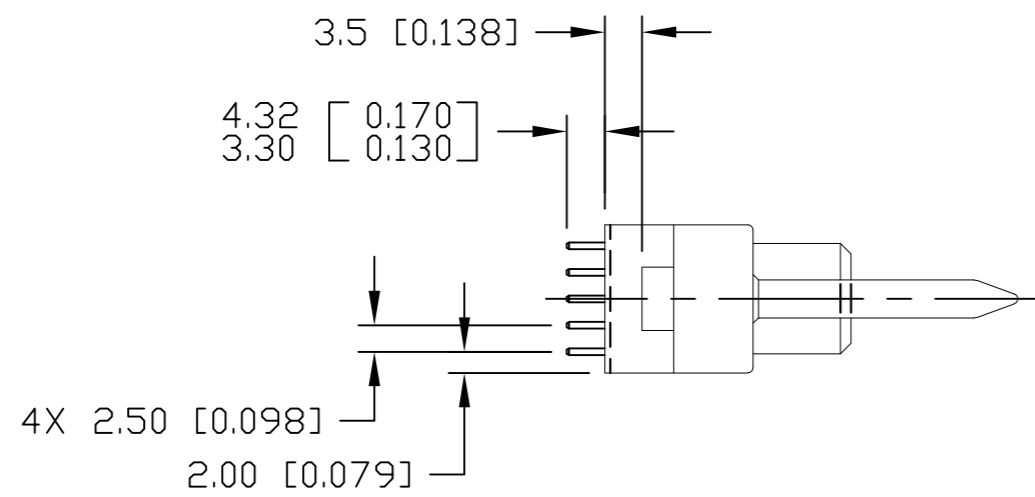


THIS DRAWING IS UNPUBLISHED. RELEASED FOR PUBLICATION
 © COPYRIGHT BY TYCO ELECTRONICS CORPORATION. ALL RIGHTS RESERVED.

LOC		DIST		REVISIONS			
GP	00	P	LTR	DESCRIPTION	DATE	DWN	APVD
		A		NEW RELEASE	24MAY07	RG	PD



SECTION A-A SECTION B-B

GENDER CHANGER NOT SHOWN FOR CLARITY

- PART NUMBER CHANGES AND OR DESIGN CHANGES AFFECTING ITEM INTERCHANGEABILITY REQUIRE PRIOR TYCO ELECTRONICS APPROVAL AND AUTHORIZATION BY REVISION TO THIS DRAWING.
- MATERIALS:
 INSULATORS: THERMOPLASTIC, GLASS REINFORCED, COLOR BLACK, UL94V-0 FLAMMABILITY RATED.
 SOLDER SIGNAL PIN: BRASS ALLOY.
 POWER CONTACTS: PHOSPHOR BRONZE ALLOY, COPPER ALLOY.
 CROWN BANDS: BERYLLIUM COPPER ALLOY.
 GUIDE PIN: BRASS COPPER ALLOY.
- FINISHES:
 CONTACTS: GOLD PLATED 0.76µm MIN THK. OVER NICKEL
 1.27µm MIN. THK.
 SOLDER TAILS, TIN PLATED 3.05µm MIN THK. OVER NICKEL
 1.27µm MIN. THK.
 GUIDE PIN: NICKEL PLATED 1.27µm THK.

4 MOUNTING FLANGES ACCEPT M3 OR #4-40 SCREWS, (USER SUPPLIED)

- ITEMS PROVIDED TO THIS SPECIFICATION TO BE PERMANENTLY IDENTIFIED PER THE FOLLOWING IDENTIFIER:

YEAR WEEK

TYCO ELECTRONICS P/N DATE CODE (e.g. 0413)

XXXXXXXX-X

XXXX

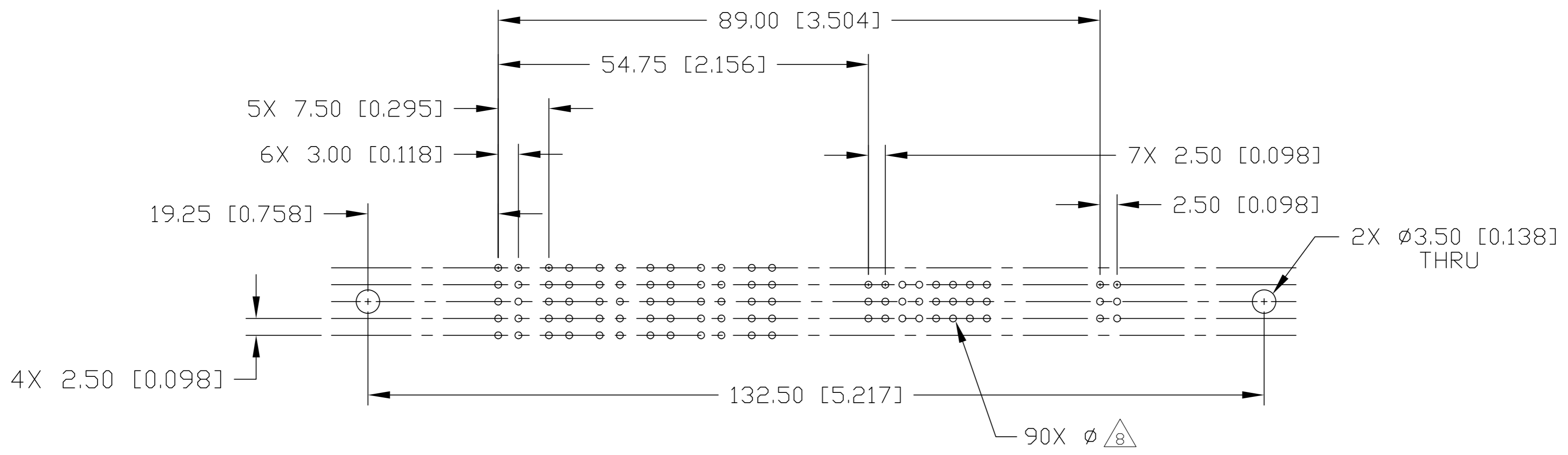
- THIS CONNECTOR MATES WITH PIN CONNECTOR PN 6651981-1

AS SHOWN	6651982-1
DESCRIPTION	PART NUMBER

THIS DRAWING IS A CONTROLLED DOCUMENT.		DWN R.GRZYBOWSKI 24MAY2007	Tyco Electronics Corporation Harrisburg, PA 17105-3608	
DIMENSIONS: mm		CHK P.DAMATO 24MAY07	NAME S.FLICKINGER	
TOLERANCES UNLESS OTHERWISE SPECIFIED:		APVD S.FLICKINGER 24MAY07	PRODUCT SPEC	
0 PLC ± -		APPLICATION SPEC		
1 PLC ± .5 [02]		WEIGHT -		
2 PLC ± .25 [010]		SIZE A2		
3 PLC ± -		CAGE CODE 00779		
4 PLC ± -		DRAWING NO C=6651982		
ANGLES ± .5		RESTRICTED TO -		
FINISH -		SCALE 3:1 SHEET 1 of 3 REV A		
MATERIAL -		CUSTOMER DRAWING		

THIS DRAWING IS UNPUBLISHED. RELEASED FOR PUBLICATION
 © COPYRIGHT BY TYCO ELECTRONICS CORPORATION. ALL RIGHTS RESERVED.

LOC	DIST	REVISIONS			
P	LTR	DESCRIPTION	DATE	DWN	APVD
GP	00	SEE SHEET 1	-	-	-



PRINTED CIRCUIT LAYOUT

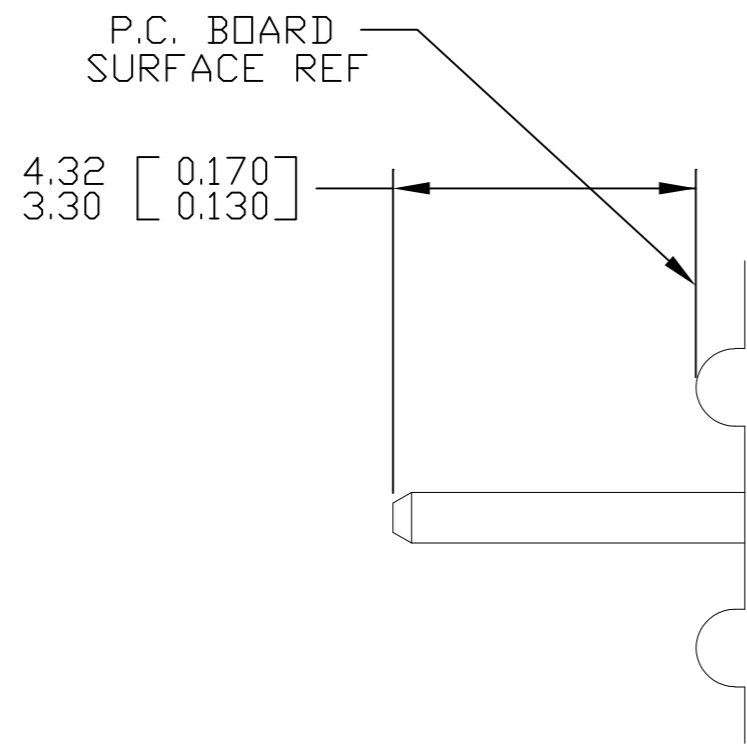
CONNECTOR	CATALOG MODULE #	QTY	SIZE NO.	CONTACT QTY	MATING PIN	MAX. CURRENT (PER CONTACT)	CONTACT SPACING	VOLTAGE RATING*
SOCKET	FP100	6	8	6	1.25 X 7.00 [.049 X .276]	35 AMPERES	7.50 [2.953]	250 VOLTS
	FP301	1	22	24	.64 [0.025] SQ.	3 AMPERES	2.50 [0.0984]	125 VOLTS
	FP313	1	22	6	.64 [0.025] SQ.	3 AMPERES	2.50 [0.0984]	125 VOLTS
	FP511	2	STRAIGHT 250V SPACER					
	FP503	2	STRAIGHT GUIDE PIN					
	FP500	1	LEFT MOUNTING FLANGE					
	FP501	1	RIGHT MOUNTING FLANGE					

THIS DRAWING IS A CONTROLLED DOCUMENT.

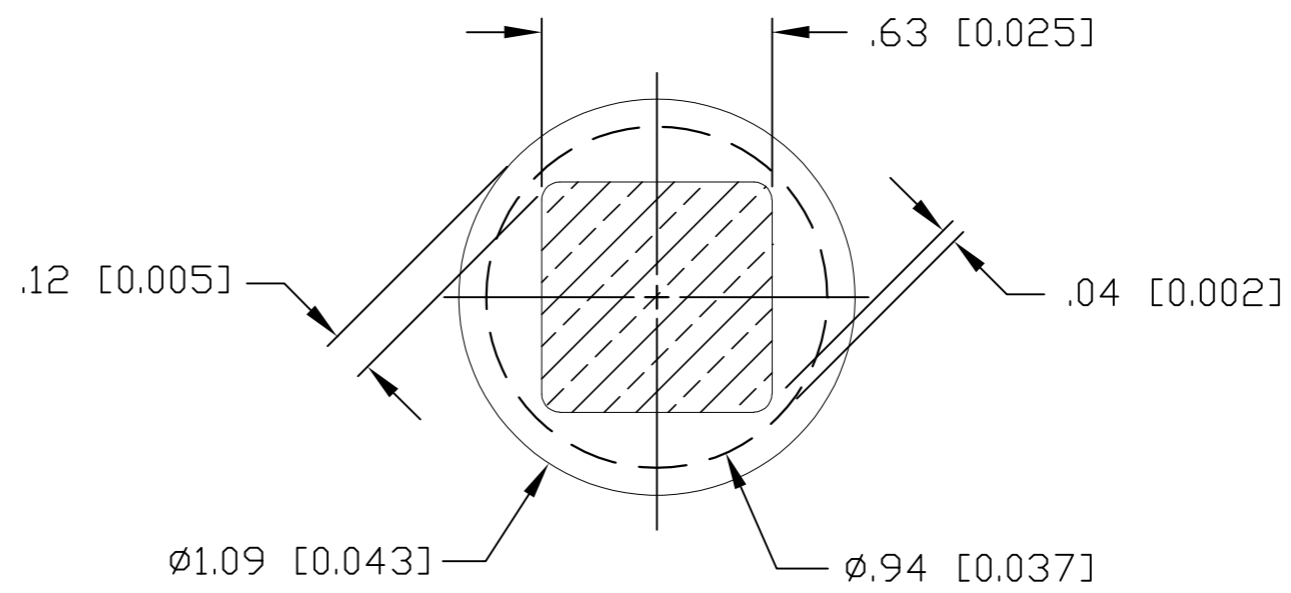
DWN	R.GRZYBOWSKI	24MAY2007	Tyco Electronics Corporation Harrisburg, PA 17105-3608			
CHK	P.DAMATO	24MAY07				
APVD	S.FLICKINGER	24MAY07				
PRODUCT SPEC	NAME					
APPLICATION SPEC	NAME		SOCKET CONNECTOR STRAIGHT, SOLDER TAILS FLATPAQ			
MATERIAL	FINISH	WEIGHT	SIZE	CAGE CODE	DRAWING NO	RESTRICTED TO
-	-	-	A2	00779	C=6651982	-
CUSTOMER DRAWING			SCALE	SHEET	REV	
			3:1	2 OF 3	A	

THIS DRAWING IS UNPUBLISHED. RELEASED FOR PUBLICATION
 © COPYRIGHT BY TYCO ELECTRONICS CORPORATION. ALL RIGHTS RESERVED.

LOC	DIST	REVISIONS			
P	LTR	DESCRIPTION	DATE	DWN	APVD
GP	00	SEE SHEET 1	-	-	-



7. SOLDER PIN DETAIL



△ 8 SOLDER TERMINATION AREA
 RECOMMENDED PRINTED CIRCUIT HOLE

FINISHED HOLE: ø1.02 [0.040] ±.08 [0.003]
 DRILLED HOLE: ø1.15 [0.0453] ±.013 [0.0005]
 COPPER PLATE: .025 [0.0010] MINIMUM (PER SURFACE)
 TIN PLATE: .008 [0.0003] MINIMUM (PER SURFACE)

THIS DRAWING IS A CONTROLLED DOCUMENT.		DWN R.GRZYBOWSKI 24MAY2007	Tyco Electronics Corporation Harrisburg, PA 17105-3608	
DIMENSIONS: mm		CHK P.DAMATO 24MAY07	NAME	
TOLERANCES UNLESS OTHERWISE SPECIFIED:		APVD S.FLICKINGER 24MAY07	SOCKET CONNECTOR STRAIGHT, SOLDER TAILS FLATPAQ	
0 PLC ± - 1 PLC ± .5 [02] 2 PLC ± .25 [010] 3 PLC ± - 4 PLC ± - ANGLES ± .5		PRODUCT SPEC APPLICATION SPEC	SIZE A2	RESTRICTED TO
MATERIAL	FINISH	WEIGHT	CAGE CODE 00779	DRAWING NO C=6651982
-	-	-	SCALE 3:1	SHEET 3 OF 3
CUSTOMER DRAWING			REV A	

X-ON Electronics

Largest Supplier of Electrical and Electronic Components

Click to view similar products for [Heavy Duty Power Connectors](#) category:

Click to view products by [TE Connectivity](#) manufacturer:

Other Similar products are found below :

[647757-1](#) [6643411-1](#) [6646058-2](#) [6646137-1](#) [6646138-1](#) [6646479-1](#) [6646608-1](#) [6646786-1](#) [6646940-1](#) [6651091-1](#) [6651525-1](#) [6651529-1](#)
[6651788-1](#) [696475-1](#) [702-32-01109](#) [703-25-02205](#) [73000005059](#) [73000005642](#) [73080255059](#) [73080965046](#) [765-15-0080A](#) [765-16-0080B](#)
[765-18-0080D](#) [829992-1](#) [902-77-02113](#) [PS00/A0620/6300](#) [PS25/A0420/63](#) [129-1J](#) [1409400](#) [AN0024023](#) [E6374G1](#) [e6389g2](#) [157-43GW8](#)
[MS3117-14AC](#) [1643543-1](#) [1650540-1](#) [1651811-2](#) [1766260-1](#) [1766282-1](#) [1766966-1](#) [1791340000](#) [NLDFT-3-BL-L-S120-M40A](#) [NLDFT-N-](#)
[W-L-C240-M40B](#) [NLS-2-R-C240-M40B](#) [NLS-N-W-C240-M40B](#) [NPS-3-BL-T6](#) [1986615-1](#) [2-1589900-8](#) [2199314-1](#) [KA8102](#)