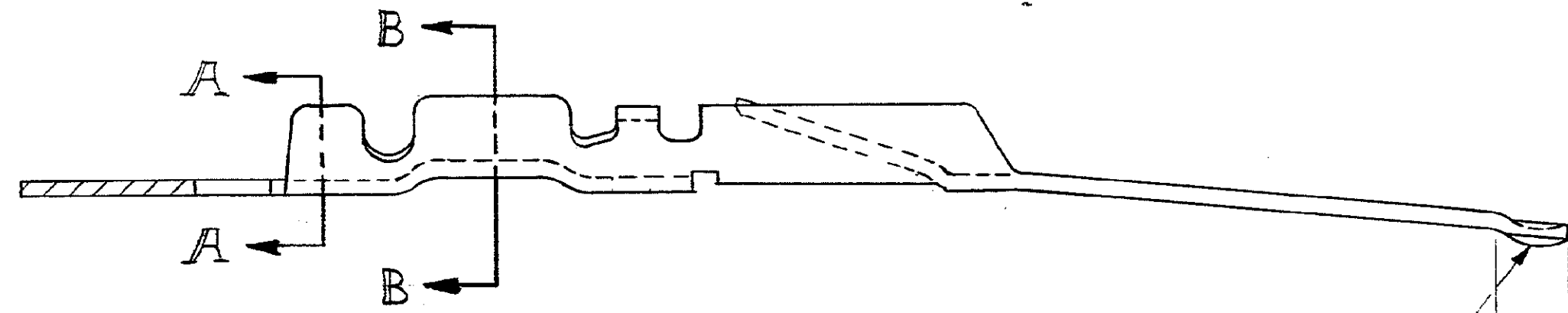
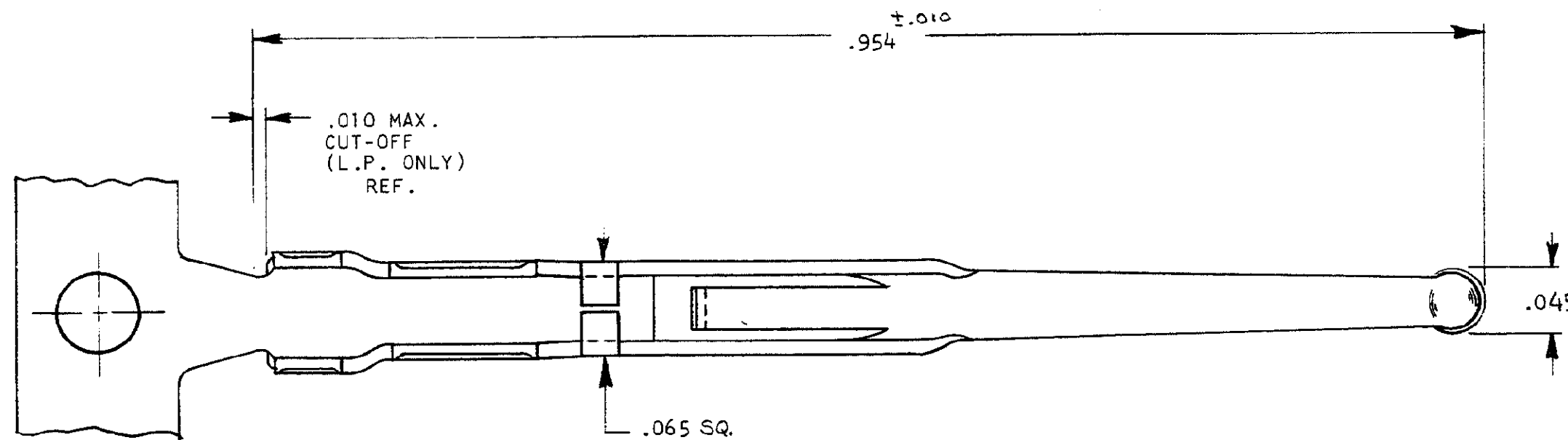


DRAWING MADE IN THIRD ANGLE PROJECTION

© COPYRIGHT 1973 BY AMP INCORPORATED, HARRISBURG, PA. ALL INTERNATIONAL RIGHTS RESERVED. AMP INCORPORATED PRODUCTS COVERED BY U. S. AND FOREIGN PATENTS AND/OR PATENTS PENDING.

LOC JIST
R 39

REVISIONS						
P	F	ZONE	LTR	DESCRIPTION	DATE	APPROVED
			O	RELEASED	10-23-73	[Signature]
			A	ADDED -3 ECN C-675	11/24/73	[Signature]
			B	REV. PER ECN C-703	12/11/73	[Signature]
			C	REV. PER ECN C-981	5/11/74	[Signature]
			D	ADDED -4 PER ECN C-663	1/22/75	[Signature]
			E	ADDED -5 & -6 PER ECN E-685	10/21/76	[Signature]
			F	.045 WAS .050 ECN F-055	5/14/77	[Signature]
			G	REV. PER ECN G-132	11/17/77	[Signature]
			H	REV. PER ECN J-877	1/30/82	[Signature]
			J	REV. PER ECN K-550	2/22/82	[Signature]
			K	REV. PER ECN R-2586	1-14-87	[Signature]
			L	OBSOLETE -4, -5 & -6 / R-2520	1-21-87	[Signature]

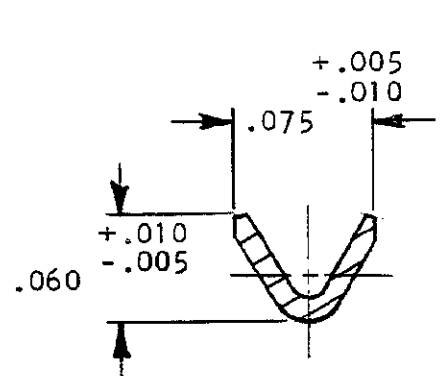


- 66555-2 1. AS SHOWN:
- 66555-3 1. SAME AS -2 EXCEPT:
2. LOOSE PIECE
- ~~OBSOLETE~~ SAME AS -2 EXCEPT:
2. REVERSE REEL
- ~~OBSOLETE~~ SAME AS -2 EXCEPT Δ
- ~~OBSOLETE~~ SAME AS -5 EXCEPT:
2. LOOSE PIECE

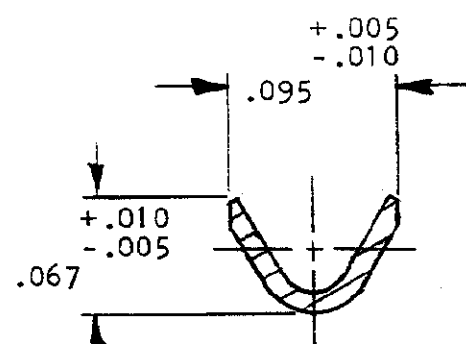
.050 MIN. SELECTIVE GOLD PLATE AREA, CONTACT SIDE ONLY
PLATING THICKNESS MEASUREMENT POINT

- Δ SELECTIVELY PLATE GOLD PER MIL-G-45204 OVER NICKEL PER QQ-N-290.
- Δ SELECTIVELY PLATE .000050 GOLD PER MIL-G-45204 OVER NICKEL PER QQ-N-290.

STOCK THICKNESS: $\pm .0005$
.0126



SECTION B-B



SECTION A-A

UNLESS OTHERWISE SPECIFIED DIMENSIONS ARE IN INCHES. TOLERANCES ON: DECIMALS $\pm .005$ ANGLES \pm	CONTRACT NO DR [Signature] 10-23-73	PART NO	
	CHK [Signature] 10/20/73	AMP INCORPORATED Harrisburg, Pa.	
MATERIAL COPPER ALLOY PER QQ-B-750	APPD [Signature] 10-23-73	NAME ACTIVE CONTACT -STRIP-	
FINISH SEE CALL OUT	APPR [Signature] 1/31/73	SIZE CODE IDENT NO C 00779	DRAWING NO 66555
	OTHER APPD	SCALE 10-1	SHEET 1 OF 1

CUST # 66555

CUSTOMER DRAWING

X-ON Electronics

Largest Supplier of Electrical and Electronic Components

Click to view similar products for [FFC & FPC Connectors](#) category:

Click to view products by [TE Connectivity](#) manufacturer:

Other Similar products are found below :

[HFW11R-1STE1H1LF](#) [FH29B-100S-0.2SHW\(99\)](#) [FA5S008HP1](#) [FH29B-120S-0.2SHW\(99\)](#) [FH29B-80S-0.2SHW\(99\)](#) [FHS-16](#) [FPH-2022G](#)
[52610-1075](#) [52610-1275](#) [52610-1934](#) [XF3M\(1\)-1415-1B-R100](#) [501864-3091-TR225](#) [0525594033](#) [086210010340800](#) [086222026001800](#)
[52271-2869-CUT-TAPE](#) [62684-36210E9ALF](#) [52610-1675](#) [52746-1671-TR250](#) [AYF330735](#) [10051922-2810EHLF](#) [6-520415-9](#) [BD021-09A-](#)
[A1-0350-0200-0550-LD](#) [SFV6R-1STE9HLF](#) [XF3M-2915-1B-R100](#) [1658549-1](#) [62674-221121ALF](#) [151660622](#) [842-816-2630-035](#)
[AYF530665TA](#) [AYF351525](#) [046296011930846+](#) [AYF352325A](#) [046254020000800+](#) [FH19C-13S-0.5SH\(99\)](#) [FH39J-51S-0.3SHW\(99\)](#)
[AYF355125A](#) [AYF530365TA](#) [FH29B-44S-0.2SHW\(99\)](#) [SFW5R-2STAE9LF](#) [AYF351125A](#) [AYF350725A](#) [62684-502100AHLF](#) [FH39-61S-](#)
[0.3SHW\(99\)](#) [AYF414035A](#) [10064555-172520HLF](#) [AYF212335A](#) [504754-2500](#) [SFW7S-2STME1LF](#) [FH39-45S-0.3SHW\(99\)](#)