

THIS DRAWING IS UNPUBLISHED.

RELEASED FOR PUBLICATION

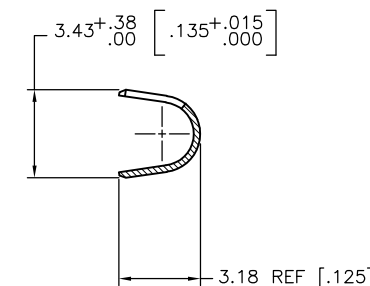
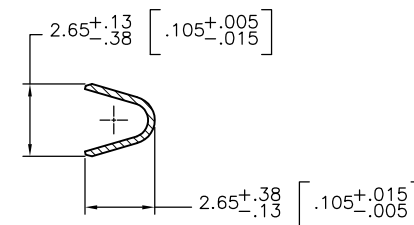
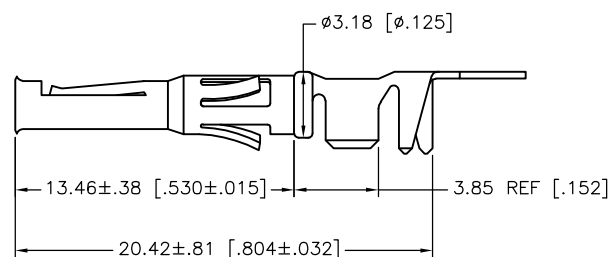
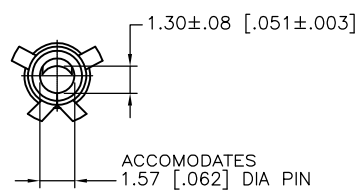
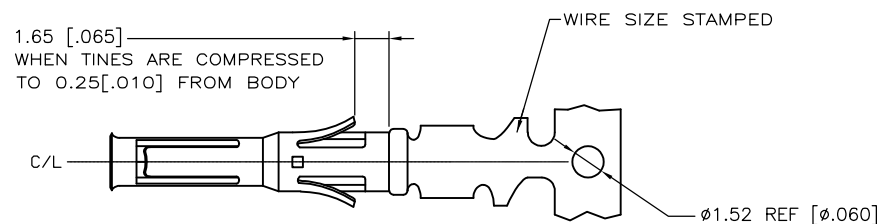
ALL RIGHTS RESERVED.

© COPYRIGHT - By -

LOC FT DIST 0

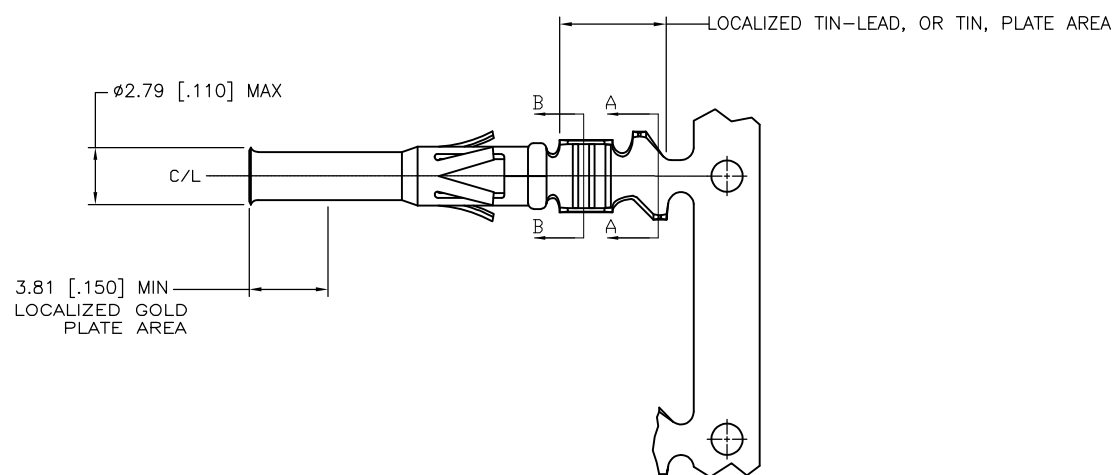
REVISIONS

P	LTR	DESCRIPTION	DATE	DWN	APVD
	D1	REVISED PER ECO-11-004917	11MAR11	RK	HMR



SECTION B-B

SECTION A-A



1. WIRE RANGE 22-18 AWG.
  2. INSULATION RANGE 2.79-1.27 [.110-050] DIA.
  3. FOR LOOSE PIECE PART SEE DWG 66592.
- ⚠ 0.76µm [.000030] MIN GOLD IN LOCALIZED GOLD PLATE AREA, 1.27µm [.000050] MIN TIN-LEAD IN LOCALIZED TIN-LEAD PLATE AREA, BOTH OVER 1.27µm [.000050] MIN NICKEL.
  - ⚠ TIN PLATED.
  - ⚠ GOLD PLATING PER MIL-G-45204, TIN PER MIL-T-10727 AND NICKEL PER QQ-N-290.
  - ⚠ 0.76µm [.000030] MIN GOLD IN LOCALIZED GOLD PLATE AREA, 1.27µm [.000050] MIN TIN IN LOCALIZED TIN PLATE AREA, BOTH OVER 1.27µm [.000050] MIN NICKEL.

DESCRIPTION	FINISH	
REVERSE REELED FOR MINI-APPLICATOR	⚠	66582-7
REVERSE REELED FOR MINI-APPLICATOR	⚠	66582-4
-	⚠	66582-3
REVERSE REELED FOR MINI-APPLICATOR	⚠	66582-2
-	⚠	66582-1

OBSOLETE

THIS DRAWING IS A CONTROLLED DOCUMENT.		DWN V. FURLER 15MAY2003	TE Connectivity	
DIMENSIONS: mm [INCHES]		CHK G. STEINHAUER 16MAY03		
TOLERANCES UNLESS OTHERWISE SPECIFIED:		APVD G. STEINHAUER 16MAY03	NAME CONTACT, SOCKET, STRIP, TYPE VI, MULTIMATE	
0 PLC ± - 1 PLC ± - 2 PLC ± 0.13 [.005] 3 PLC ± - 4 PLC ± - ANGLES ± -		PRODUCT SPEC -	SIZE A3	
MATERIAL BRASS MIL-C-50		APPLICATION SPEC -	CAGE CODE 00779	DRAWING NO C-66582
FINISH SEE TABLE ⚠		WEIGHT -	RESTRICTED TO -	
CUSTOMER DRAWING			SCALE 8.5:1	SHEET 1 OF 1
			REV D1	

## X-ON Electronics

Largest Supplier of Electrical and Electronic Components

*Click to view similar products for [Standard Circular Contacts](#) category:*

*Click to view products by [TE Connectivity](#) manufacturer:*

Other Similar products are found below :

[RC16M23J](#) [133780-1](#) [RM20M13D28](#) [RM24M9D28](#) [RMMX110-1D28](#) [MS3474W10-6P L/C](#) [ELFH02211](#) [ELVP16100E](#) [164-901-CD](#)  
[EN3545007SCE](#) [BV002BSQ20049CZ](#) [BV002SSQ160404CZ](#) [1900ND05S1B00B](#) [166566-1](#) [1900ND04S1X00D](#) [ST-JL05-16S-C3-100](#) [ST-](#)  
[JL05-20S-C1-100](#) [ST-JL05-20S-C2-100](#) [T01-CRIMP-S03](#) [APK-SA16A07-002](#) [27963-15T12](#) [CONT-JL05-08S-C2-10](#) [CONT-JL05-12S-C1-](#)  
[10](#) [RC16M-23T](#) [RFD26L-1D28](#) [BV002ASJ16049CW](#) [33505815019](#) [JN1-22-20S-R-PKG100](#) [031-50213](#) [031-50565](#) [031-50794](#) [ELFH08251](#)  
[ELFP0641GE](#) [SJS861301M](#) [ST-JL05-16S-C1-100](#) [ST-JL05-20P-C1-100](#) [82911466K](#) [ESLM03200](#) [192991-0087](#) [192900-0570](#) [ELFH07251](#)  
[44-100-1414P-1000-101](#) [T3P16FC3LZ](#) [ST-JL05-16S-C2-3500](#) [ZP-4016-10NF](#) [CONT-JL05-12P-C1-10](#) [RM20M12G8D28](#) [031-50676](#)  
[12115010110](#) [RJFTVC2MG](#)