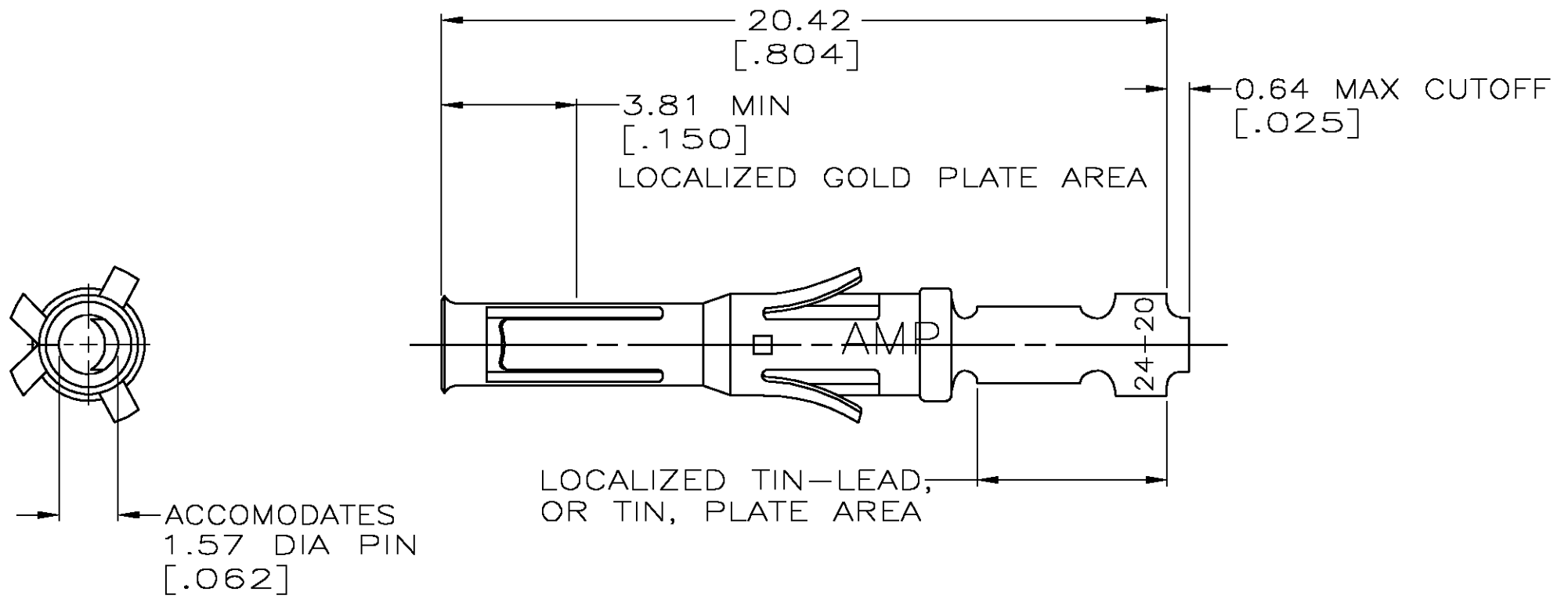


THIS DRAWING IS UNPUBLISHED. RELEASED FOR PUBLICATION  
 © COPYRIGHT BY TYCO ELECTRONICS CORPORATION. ALL RIGHTS RESERVED.

LOC	DIST	REVISIONS					
BD	39	P	LTR	DESCRIPTION	DATE	DWN	APVD
		G		0G3B-0317-03	24APR03	TK	GS



1. WIRE RANGE 24-20 AWG.
2. INSULATION RANGE 1.02-2.03 [.040-.080] DIA.
3. 0.76 μm [.000030] MIN GOLD IN LOCALIZED GOLD PLATE AREA, 1.27 μm [.000050] MIN TIN-LEAD IN LOCALIZED TIN-LEAD PLATE AREA, BOTH OVER 1.27 μm [.000050] MIN NICKEL.
4. TIN PLATED.
5. GOLD PLATING PER MIL-G-45204, TIN PER MIL-T-10727 AND NICKEL PER QQ-N-290.
6. 0.76 μm [.000030] MIN GOLD IN LOCALIZED GOLD PLATE AREA, 1.27 μm [.000050] MIN TIN IN LOCALIZED TIN PLATE AREA, BOTH OVER 1.27 μm [.000050] MIN NICKEL.

1-66584-0	6	66594-4
66584-4	3	66594-2
66584-2	4	66594-1
STRIP REF	FINISH	PART NO

THIS DRAWING IS A CONTROLLED DOCUMENT.		DWN D.HARDY 06/15/94	Tyco Electronics Corporation Harrisburg, Pa													
DIMENSIONS: INCHES		CHK R.STONE 06/22/94														
TOLERANCES UNLESS OTHERWISE SPECIFIED:		APVD G.STEINHAUER 06/27/94	NAME CONTACT, SOCKET, LOOSE PIECE, TYPE VI, MULTIMATE													
<table border="0"> <tr><td>0 PLC</td><td>± -</td></tr> <tr><td>1 PLC</td><td>± -</td></tr> <tr><td>2 PLC</td><td>± 0.13 [.005]</td></tr> <tr><td>3 PLC</td><td>± -</td></tr> <tr><td>4 PLC</td><td>± -</td></tr> <tr><td>ANGLES</td><td>± -</td></tr> </table>		0 PLC	± -	1 PLC	± -	2 PLC	± 0.13 [.005]	3 PLC	± -	4 PLC	± -	ANGLES	± -	PRODUCT SPEC -	SIZE A3	
0 PLC	± -															
1 PLC	± -															
2 PLC	± 0.13 [.005]															
3 PLC	± -															
4 PLC	± -															
ANGLES	± -															
MATERIAL BRS PER MIL-C-50		APPLICATION SPEC -	CAGE CODE 00779	DRAWING NO C-66594												
FINISH 5 SEE TABLE		WEIGHT -	RESTRICTED TO -													
CUSTOMER DRAWING			SCALE 6:1	SHEET 1 OF 1												
			REV G													

## X-ON Electronics

Largest Supplier of Electrical and Electronic Components

*Click to view similar products for [Standard Circular Contacts](#) category:*

*Click to view products by [TE Connectivity](#) manufacturer:*

Other Similar products are found below :

[RC16M23J](#) [133780-1](#) [RM20M13D28](#) [RM24M9D28](#) [RMMX110-1D28](#) [ELFH02211](#) [ELVP16100E](#) [164-901-CD](#) [BACS16X1A](#)  
[EN3545007SCE](#) [BV002BSQ20049CZ](#) [BV002SSQ160404CZ](#) [1900ND05S1B00B](#) [SJS862201](#) [166566-1](#) [1900ND04S1X00D](#) [ST-JL05-16S-](#)  
[C3-100](#) [ST-JL05-20S-C1-100](#) [ST-JL05-20S-C2-100](#) [T01-CRIMP-S03](#) [APK-SA16A07-002](#) [27963-15T12](#) [CONT-JL05-08S-C2-10](#) [CONT-](#)  
[JL05-12S-C1-10](#) [RC16M-23T](#) [RFD26L-1D28](#) [BV002ASJ16049CW](#) [33505815019](#) [JN1-22-20S-R-PKG100](#) [031-50213](#) [031-50794](#)  
[ELFH08251](#) [ELFP0641GE](#) [SJS861301M](#) [ST-JL05-16S-C1-100](#) [ST-JL05-20P-C1-100](#) [82911466K](#) [82911467NK](#) [ESLM03200](#) [192991-0087](#)  
[192900-0570](#) [ELFH07251](#) [M12883/40-07S](#) [BACS16X3A](#) [T3P16FC3LZ](#) [ST-JL05-16S-C2-3500](#) [ZP-4016-10NF](#) [CONT-JL05-12P-C1-10](#)  
[RM20M12G8D28](#) [031-50676](#)