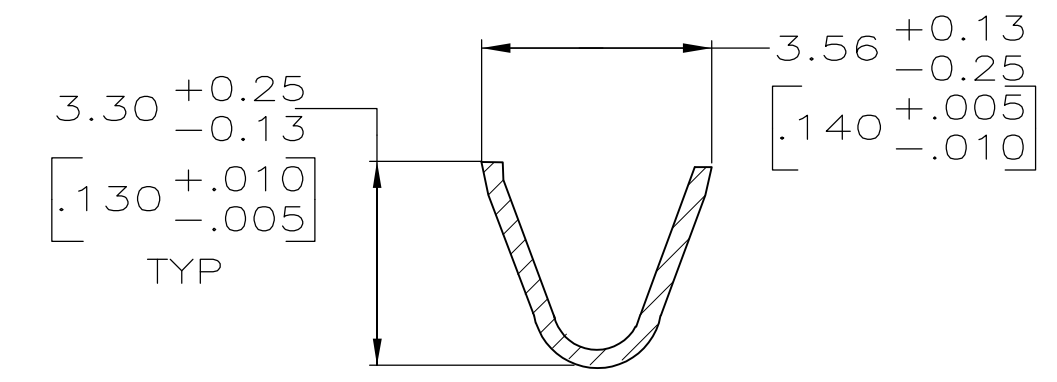
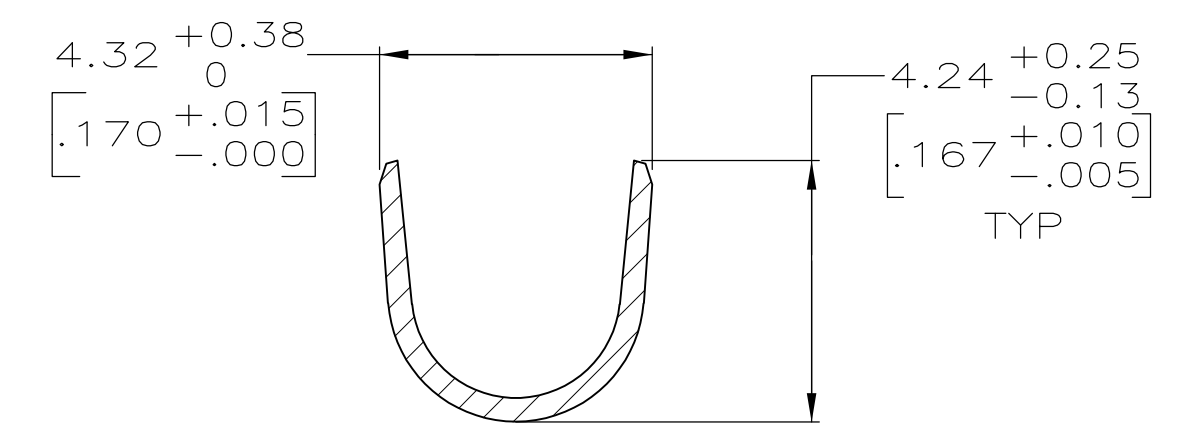
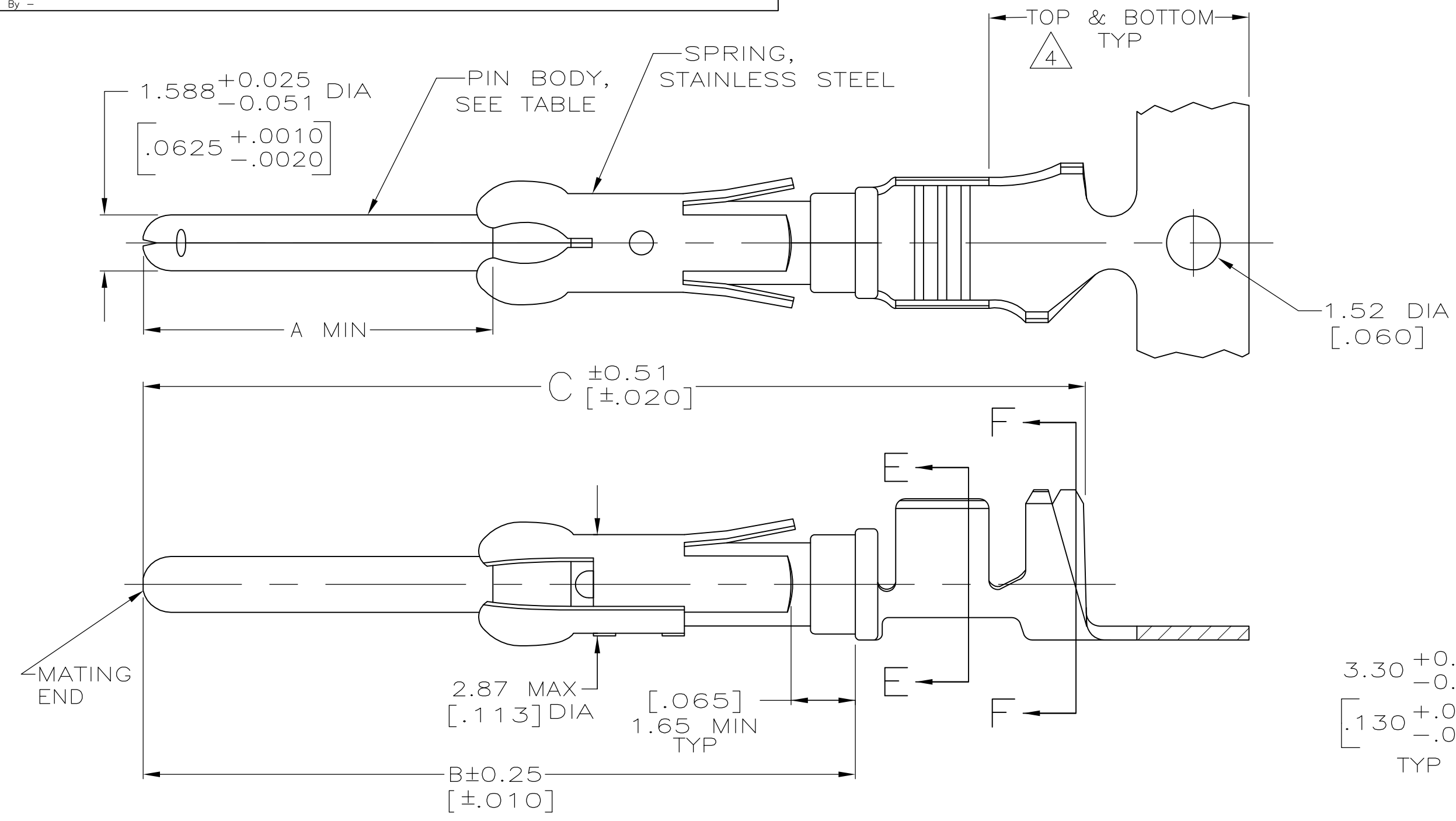


THIS DRAWING IS UNPUBLISHED. RELEASED FOR PUBLICATION
 © COPYRIGHT - By - ALL RIGHTS RESERVED.

LOC	DIST	REVISIONS			
P	LTR	DESCRIPTION	DATE	DWN	APVD
FT	0	REVISED PER ECO-12-012316	05JUL12	KH	MZ



- $\triangle 1$ REELED FOR MINI-APPLICATOR.
- $\triangle 2$ $0.76\mu\text{m}$ $[\pm.000030]$ MIN PRECIOUS METAL PLATE ON MATING END FOR A LENGTH OF 5.08 $[\pm.200]$ MIN OVER $1.27\mu\text{m}$ $[\pm.000050]$ MIN NICKEL PLATE. GOLD FLASH ALL OVER. CONFORMS TO THE REQUIREMENTS OF TE CONNECTIVITY PRODUCT SPEC 108-10042, BASED ON EIA/ECA-364-1000.01A (CONTROLLED ENVIRONMENT APPLICATIONS).
- $\triangle 3$ $1.27\mu\text{m}$ $[\pm.000050]$ MIN TIN-LEAD PER MIL-T-10727 OVER $1.27\mu\text{m}$ $[\pm.000050]$ MIN NICKEL PER QQ-N-290.
- $\triangle 4$ GOLD PLATING NEED NOT APPEAR IN THIS AREA.
- $\triangle 5$ BRASS
- $\triangle 6$ PHOSPHOR BRONZE
- 7 WIRE RANGE 14-18 AWG.
- 8 INSULATION RANGE $2.79[\pm.110]$ - $3.81[\pm.150]$ DIA.
- $\triangle 9$ $0.38\mu\text{m}$ $[\pm.000015]$ MIN GOLD PER MIL-G-45204 ON MATING END FOR A LENGTH OF 5.08 $[\pm.200]$ MIN, $1.27\mu\text{m}$ $[\pm.000050]$ MIN TIN-LEAD PER MIL-T-10727 FOR A LENGTH OF 5.69 $[\pm.224]$ MIN ON OPPOSITE END, BOTH OVER $1.27\mu\text{m}$ $[\pm.000050]$ MIN NICKEL PER QQ-N-290 ON ENTIRE CONTACT.
- $\triangle 10$ OBSOLETE PART NUMBER.
- $\triangle 11$ $1.27\mu\text{m}$ $[\pm.000050]$ MIN TIN PER MIL-T-10727 OVER $1.27\mu\text{m}$ $[\pm.000050]$ MIN NICKEL PER Q-N-290.
- $\triangle 12$ COPPER NICKEL ALLOY.
- $\triangle 13$ $0.38\mu\text{m}$ $[\pm.000015]$ MIN GOLD PER MIL-G-45204 ON MATING END FOR A LENGTH OF 5.08 $[\pm.200]$ MIN. WITH GOLD FLASH ON THE REMAINDER, OVER $1.27\mu\text{m}$ $[\pm.000050]$ MIN NICKEL PER QQ-N-290.
- $\triangle 14$ PRELIMINARY - NOT FOR PRODUCTION.

- $\triangle 15$ OBSOLETE PARTS: OBSOLETE CIS STREAMLINING PER D.RENAUD/D.SINISI
- $\triangle 16$ $0.76\mu\text{m}$ $[\pm.000030]$ MIN PRECIOUS METAL PLATE ON MATING END FOR A LENGTH OF 5.08 $[\pm.200]$ MIN WITH $1.27\mu\text{m}$ $[\pm.000050]$ MIN MATTE TIN PLATE IN WIRE CRIMP AREA, BOTH OVER $1.27\mu\text{m}$ $[\pm.000050]$ MIN NICKEL PLATE. CONFORMS TO THE REQUIREMENTS OF TE CONNECTIVITY PRODUCT SPEC 108-10042, BASED ON EIA/ECA-364-1000.01A (CONTROLLED ENVIRONMENT APPLICATIONS).

	26.75[1.053]	20.24[.797]	9.91[.390]	$\triangle 1$	$\triangle 13$	$\triangle 12$	-	$\triangle 14$	1-66597-2
	26.75[1.053]	20.24[.797]	9.91[.390]	$\triangle 1$	$\triangle 11$	$\triangle 12$	1-66602-0		1-66597-1
	26.75[1.053]	20.24[.797]	9.91[.390]	$\triangle 1$	$\triangle 2$	$\triangle 12$	66602-9		1-66597-0
$\triangle 15$ OBSOLETE	26.75[1.053]	20.24[.797]	9.91[.390]	$\triangle 1$	$\triangle 11$	$\triangle 6$	-		66597-9
	26.75[1.053]	20.24[.797]	9.91[.390]	$\triangle 1$	$\triangle 11$	$\triangle 5$	66602-8		66597-8
OBSOLETE	26.75[1.053]	20.24[.797]	9.91[.390]	$\triangle 1$	$\triangle 9$	$\triangle 5$	66602-5		66597-7
OBSOLETE	30.43[1.198]	23.93[.942]	13.59[.535]	$\triangle 1$	$\triangle 3$	$\triangle 5$	-		66597-6
OBSOLETE	26.75[1.053]	20.24[.797]	9.91[.390]	$\triangle 1$	$\triangle 2$	$\triangle 6$	66602-4		66597-5
OBSOLETE	26.75[1.053]	20.24[.797]	9.91[.390]	$\triangle 1$	$\triangle 3$	$\triangle 6$	66602-3		66597-4
	26.75[1.053]	20.24[.797]	9.91[.390]	$\triangle 1$	$\triangle 16$	$\triangle 5$	66602-2		66597-2
	26.75[1.053]	20.24[.797]	9.91[.390]	$\triangle 1$	$\triangle 3$	$\triangle 5$	66602-1		66597-1
	C	B	A	REELING	PIN BODY FINISH	PIN BODY	LOOSE PIECE REF		PART NO

THIS DRAWING IS A CONTROLLED DOCUMENT.

DIMENSIONS: mm [INCHES]	TOLERANCES UNLESS OTHERWISE SPECIFIED: 0 PLC ± - 1 PLC ± - 2 PLC ± 0.13[.005] 3 PLC ± - 4 PLC ± - ANGLES ± -	DWN R.SHIREY 7-22-91 CHK R.STONE 8-15-91 APVD J.WESTMAN 8-19-91 PRODUCT SPEC APPLICATION SPEC WEIGHT -	NAME SIZE A2 CAGE CODE 00779 DRAWING NO C=66597 RESTRICTED TO -
MATERIAL SEE CALLOUTS	FINISH SEE TABLE	CUSTOMER DRAWING	SCALE 8:1 SHEET 1 of 1 REV W

TE Connectivity
 PIN ASSEMBLY, .062, TYPE III+

X-ON Electronics

Largest Supplier of Electrical and Electronic Components

Click to view similar products for [Standard Circular Contacts](#) category:

Click to view products by [TE Connectivity](#) manufacturer:

Other Similar products are found below :

[RC16M23J](#) [133780-1](#) [RM20M13D28](#) [RM24M9D28](#) [RMMX110-1D28](#) [ELFH02211](#) [ELVP16100E](#) [164-901-CD](#) [BACS16X1A](#)
[EN3545007SCE](#) [BV002BSQ20049CZ](#) [BV002SSQ160404CZ](#) [1900ND05S1B00B](#) [SJS862201](#) [166566-1](#) [1900ND04S1X00D](#) [ST-JL05-16S-](#)
[C3-100](#) [ST-JL05-20S-C1-100](#) [ST-JL05-20S-C2-100](#) [T01-CRIMP-S03](#) [APK-SA16A07-002](#) [27963-15T12](#) [CONT-JL05-08S-C2-10](#) [CONT-](#)
[JL05-12S-C1-10](#) [RC16M-23T](#) [RFD26L-1D28](#) [BV002ASJ16049CW](#) [33505815019](#) [JN1-22-20S-R-PKG100](#) [031-50213](#) [031-50794](#)
[ELFH08251](#) [ELFP0641GE](#) [SJS861301M](#) [ST-JL05-16S-C1-100](#) [ST-JL05-20P-C1-100](#) [82911466K](#) [82911467NK](#) [ESLM03200](#) [192991-0087](#)
[192900-0570](#) [T3P16FC3LZ](#) [ST-JL05-16S-C2-3500](#) [ZP-4016-10NF](#) [CONT-JL05-12P-C1-10](#) [RM20M12G8D28](#) [031-50676](#) [12115010110](#)
[RJFTVC2MG](#) [CAP-DACMDPC2](#)