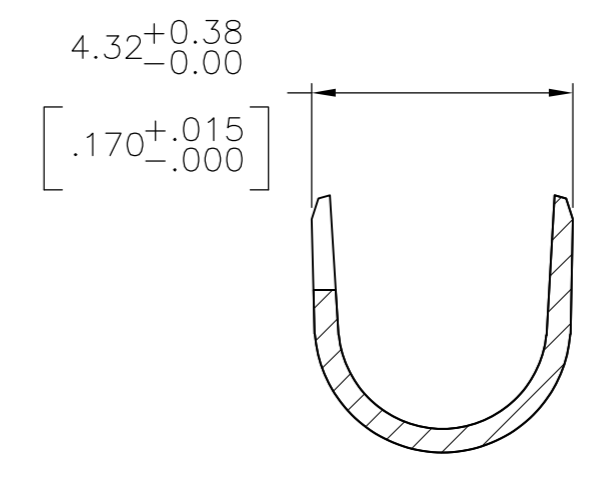
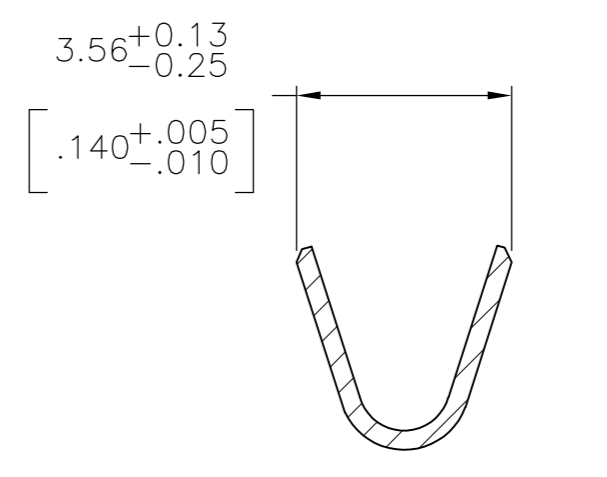
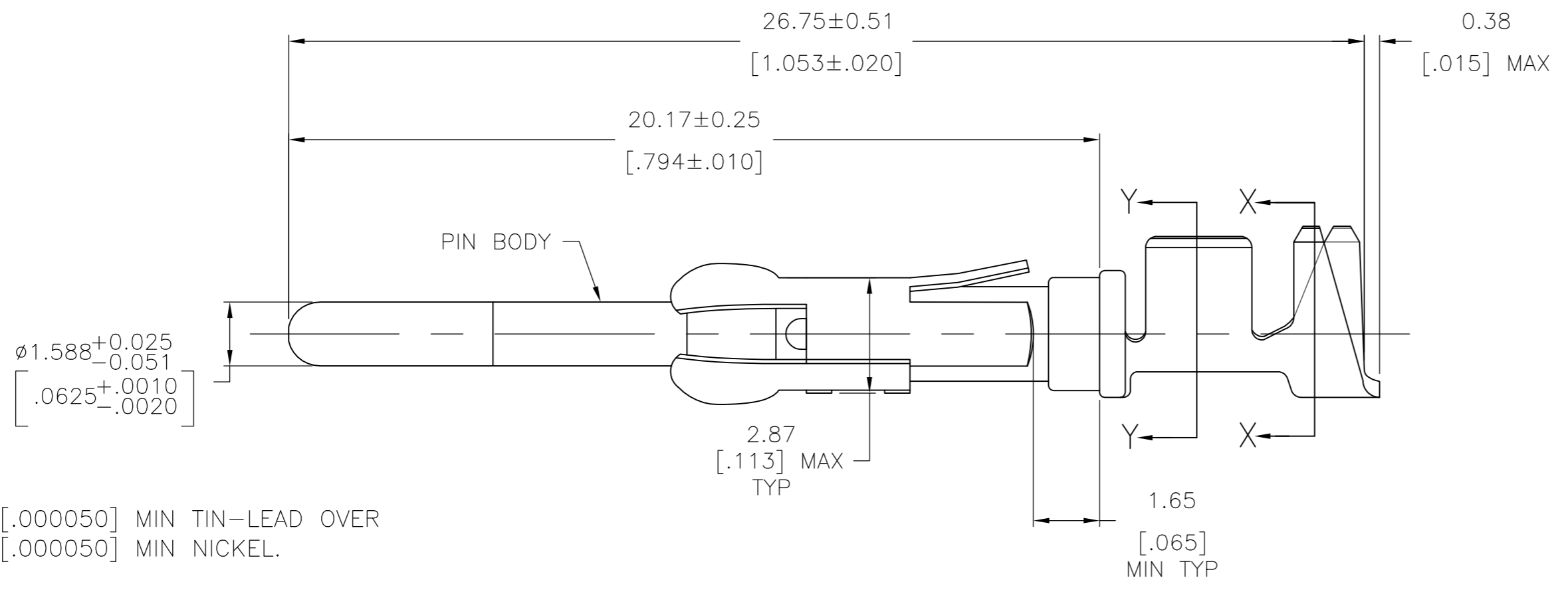
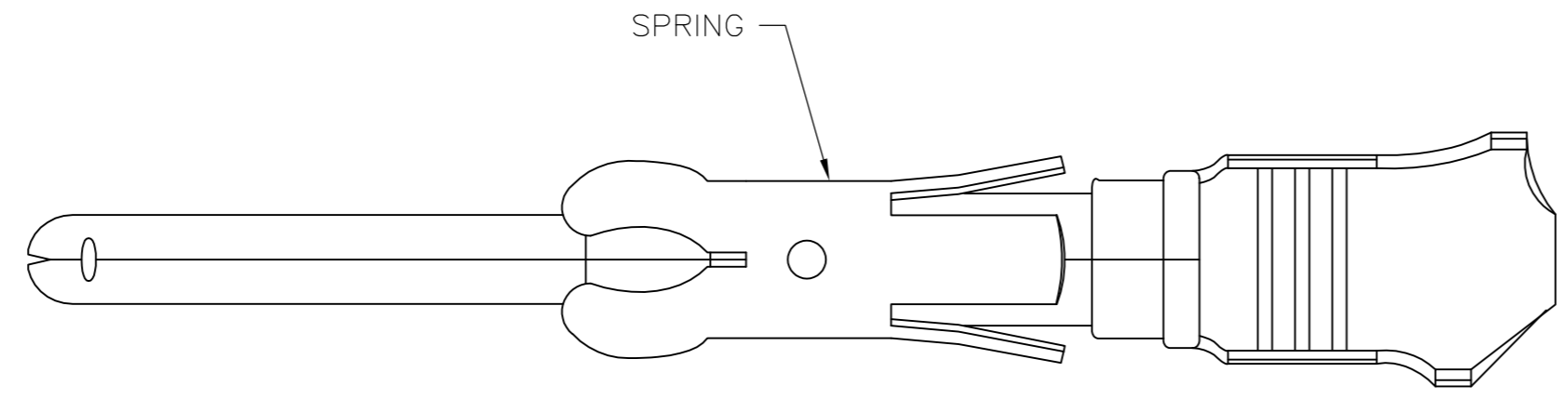


THIS DRAWING IS UNPUBLISHED. RELEASED FOR PUBLICATION  
 © COPYRIGHT - By - ALL RIGHTS RESERVED.

LOC	DIST	REVISIONS					
FT	0	P	LTR	DESCRIPTION	DATE	DWN	APVD
		W		REVISED PER ECO-12-012316	05JUL12	KH	MZ



- 1 1.27µm [.000050] MIN TIN-LEAD OVER  
1.27µm [.000050] MIN NICKEL.
- 2 0.76µm [.000030] MIN PRECIOUS METAL PLATE ON MATING END FOR A LENGTH OF 5.08 [.200] MIN OVER 1.27µm [.000050] MIN NICKEL PLATE. GOLD FLASH ALL OVER. CONFORMS TO THE REQUIREMENTS OF TE CONNECTIVITY PRODUCT SPEC 108-10042, BASED ON EIA/ECA-364-1000.01A ( CONTROLLED ENVIRONMENT APPLICATIONS ).
- 3 BRASS PER MIL-C-50.
- 4 PHOSPHOR BRONZE PER QQ-B-750.
- 5 WIRE RANGE 14-18 AWG.
- 6 INSULATION RANGE 2.79[.110]-3.81[.150] DIA.
- 7 0.38µm [.000015] MIN GOLD PER MIL-G-45204 IN LOCALIZED PLATE AREA, 1.27µm [.000050] MIN TIN-LEAD PER MIL-T-10727 FOR A LENGTH OF 5.69 [.224] MIN ON OPPOSITE END, BOTH OVER 1.27µm [.000050] MIN NICKEL PER QQ-N-290 ON ENTIRE CONTACT.
- 8 1.27µm [.000050] MIN TIN OVER  
1.27µm [.000050] MIN NICKEL.
- 9 CU-NI ALLOY
- 10 0.76µm [.000030] MIN PRECIOUS METAL PLATE ON MATING END FOR A LENGTH OF 5.08 [.200] MIN WITH 1.27µm [.000050] MIN MATTE TIN PLATE IN WIRE CRIMP AREA, BOTH OVER 1.27µm [.000050] MIN NICKEL PLATE. CONFORMS TO THE REQUIREMENTS OF TE CONNECTIVITY PRODUCT SPEC 108-10042, BASED ON EIA/ECA-364-1000.01A ( CONTROLLED ENVIRONMENT APPLICATIONS ).

OBSOLETE  
 OBSOLETE  
 OBSOLETE

SMALL PACK	3	8	66597-8	1-66602-1
STANDARD	9	8	1-66597-1	1-66602-0
STANDARD	9	2	1-66597-0	66602-9
STANDARD	3	8	66597-8	66602-8
SMALL PACK	3	10	66597-2	66602-7
SMALL PACK	3	1	66597-1	66602-6
OBSOLETE STANDARD	3	7	66597-7	66602-5
OBSOLETE STANDARD	4	2	66597-5	66602-4
OBSOLETE STANDARD	4	1	66597-4	66602-3
STANDARD	3	10	66597-2	66602-2
STANDARD	3	1	66597-1	66602-1
MATERIAL	MATERIAL	FINISH	STRIP P/N REF	

THIS DRAWING IS A CONTROLLED DOCUMENT.

DIMENSIONS: mm [INCHES]	TOLERANCES UNLESS OTHERWISE SPECIFIED: 0 PLC ± - 1 PLC ± - 2 PLC ± 0.13[.005] 3 PLC ± - 4 PLC ± - ANGLES ± -	DWN H MOLL 10-2-90 CHK J.MCCLINTON 12-15-90 APVD A.BOUILLIANNE 12-10-90 PRODUCT SPEC APPLICATION SPEC WEIGHT -	TE Connectivity PIN ASSEMBLY, LOOSE PIECE, TYPE III+
MATERIAL SPRING: SSTL	FINISH PIN BODY:SEE TBL	SIZE A2 CAGE CODE 00779 DRAWING NO C-66602	RESTRICTED TO -

CUSTOMER DRAWING SCALE 8:1 SHEET 1 of 1 REV W

## X-ON Electronics

Largest Supplier of Electrical and Electronic Components

*Click to view similar products for [Standard Circular Contacts](#) category:*

*Click to view products by [TE Connectivity](#) manufacturer:*

Other Similar products are found below :

[RC16M23J](#) [133780-1](#) [RM20M13D28](#) [RM24M9D28](#) [RMMX110-1D28](#) [MS3474W10-6P L/C](#) [ELFH02211](#) [ELVP16100E](#) [164-901-CD](#)  
[EN3545007SCE](#) [BV002BSQ20049CZ](#) [BV002SSQ160404CZ](#) [1900ND05S1B00B](#) [166566-1](#) [1900ND04S1X00D](#) [ST-JL05-16S-C3-100](#) [ST-JL05-20S-C1-100](#) [ST-JL05-20S-C2-100](#) [T01-CRIMP-S03](#) [APK-SA16A07-002](#) [27963-15T12](#) [CONT-JL05-08S-C2-10](#) [CONT-JL05-12S-C1-10](#) [RC16M-23T](#) [RFD26L-1D28](#) [BV002ASJ16049CW](#) [JN1-22-20S-R-PKG100](#) [031-50213](#) [031-50565](#) [031-50794](#) [SJS861301M](#) [ST-JL05-16S-C1-100](#) [ST-JL05-20P-C1-100](#) [82911466K](#) [192991-0087](#) [192900-0570](#) [44-100-1414P-1000-101](#) [T3P16FC3LZ](#) [ST-JL05-16S-C2-3500](#)  
[ZP-4016-10NF](#) [CONT-JL05-12P-C1-10](#) [RM20M12G8D28](#) [031-50676](#) [12115010110](#) [RJFTVC2MG](#) [CAP-DACMDPC2](#) [031-50675-002](#)  
[CAP-DD1FDPC2](#) [CAP-DACMDPC1](#) [031-50966-010](#)