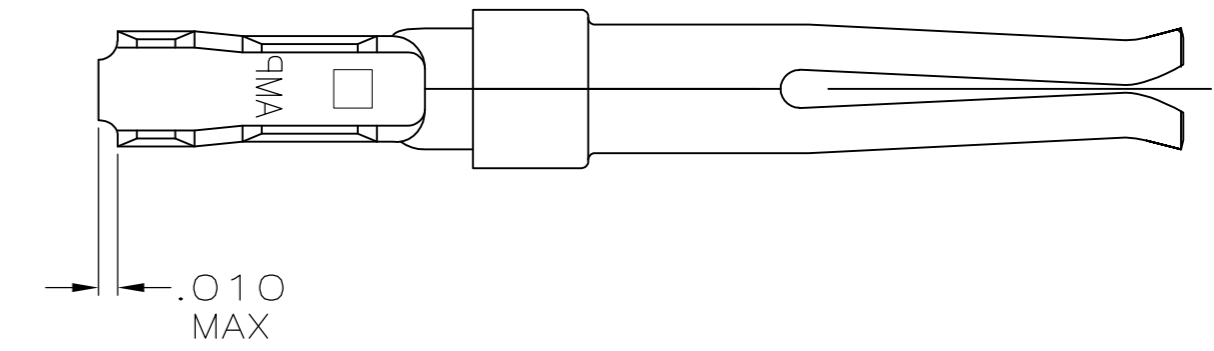
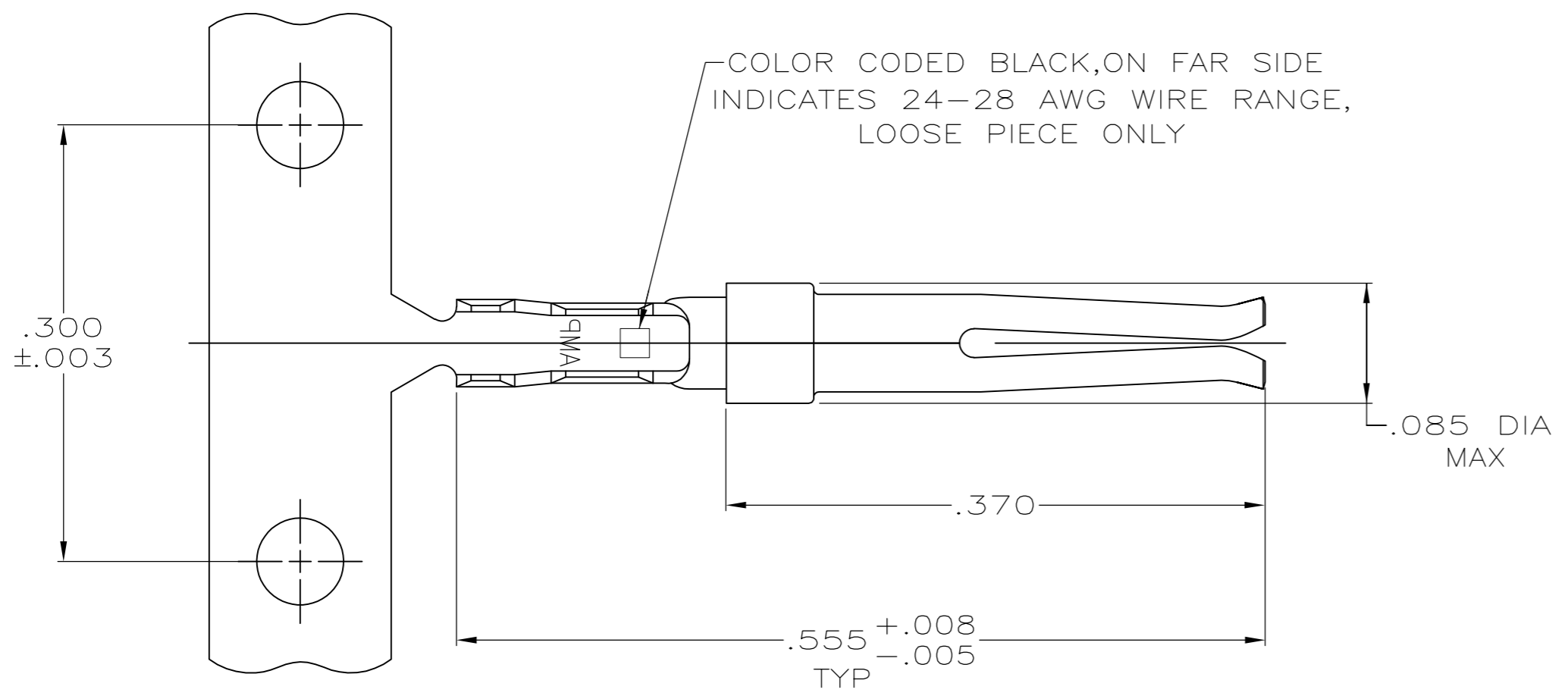
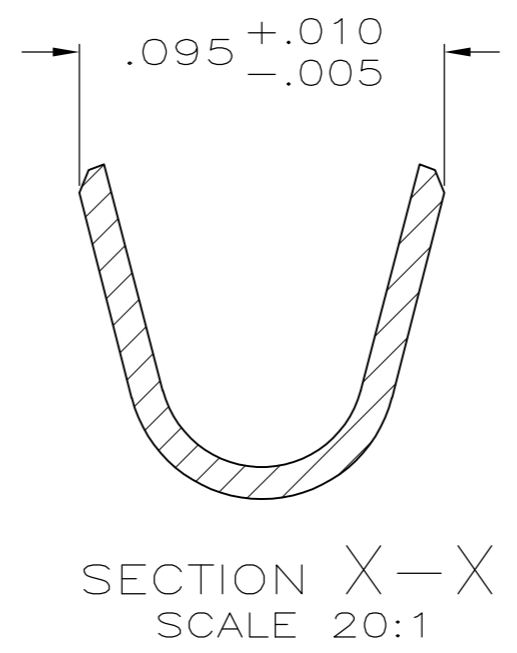
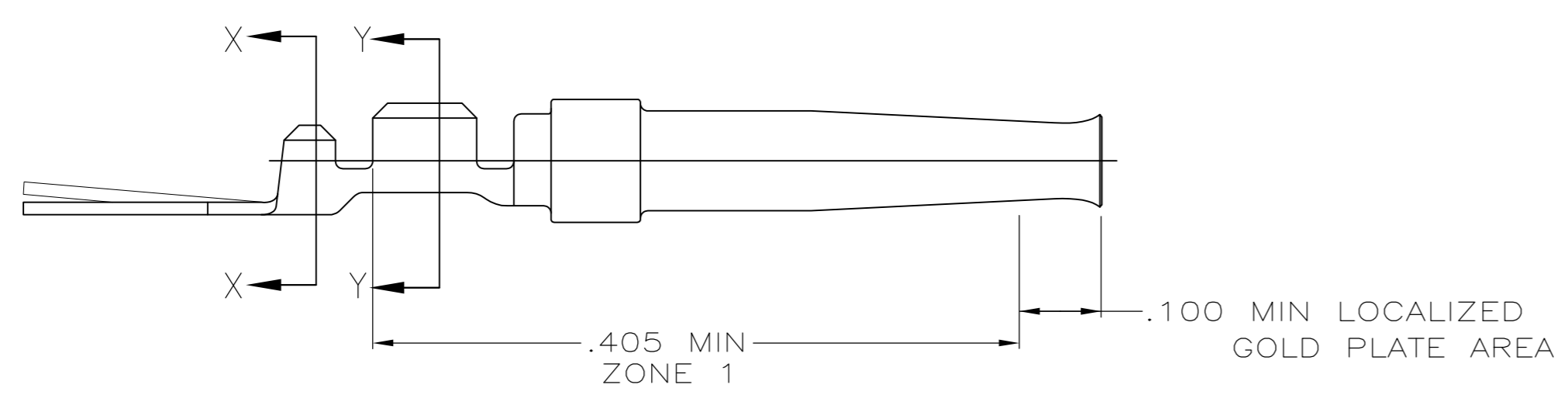


THIS DRAWING IS UNPUBLISHED. RELEASED FOR PUBLICATION  
 © COPYRIGHT - By - ALL RIGHTS RESERVED.

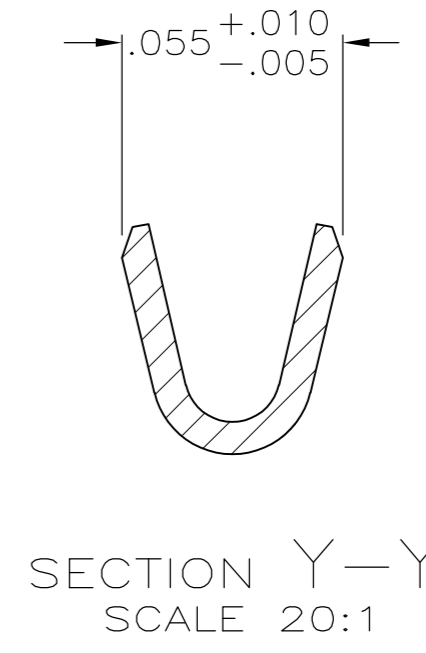
LOC	DIST	REVISIONS					
GP	00	P	LTR	DESCRIPTION	DATE	DWN	APVD
		N		REVISED PER ECO-12-021696	27FEB2013	CJV	CWR



DETAIL Z



SECTION X-X  
SCALE 20:1



SECTION Y-Y  
SCALE 20:1

- 1 GOLD PLATING PER MIL-G-45204  
NICKEL PLATING PER QQ-N-290  
TIN PLATING PER MIL-T-10727.
- 2 .000030 MIN GOLD IN LOCALIZED PLATE AREA, .000100 MIN TIN ON WIRE BARRELS,  
ALL OVER .000050 MIN NICKEL.
- 3 GOLD FLASH IN LOCALIZED PLATE AREA, .000100 MIN TIN ON WIRE BARRELS, ALL  
OVER .000030 MIN NICKEL.
- 4. CRIMP STRIP USING AMP MINI APPLICATOR.
- 5. CRIMP LOOSE PIECE USING AMP HAND TOOL ONLY.
- 6. CONTACT ACCEPTS WIRE RANGE OF 24-28 AWG AND INSULATION RANGE OF .050-.060.
- 7 PLATED WITH .000030 GOLD ON INSIDE OF LOCALIZED GOLD PLATE AREA, GOLD  
FLASH ON ZONE 1, ALL OVER .000050 NICKEL UNDERPLATE.  
-OR-  
GOLD FLASH OVER PALLADIUM NICKEL .000030 TOTAL ON INSIDE OF LOCALIZED GOLD  
PLATE AREA, GOLD FLASH ON ZONE 1, ALL OVER .000050 NICKEL UNDERPLATE.

SUPERSEDED BY 66683-4	2	SEE DETAIL Z	1-66683-2
OBSOLETE	2	-	1-66683-0
SUPERSEDED BY 66683-4	3	SEE DETAIL Z	66683-9
OBSOLETE	3	-	66683-7
	4	SEE DETAIL Z	66683-4
	7	-	66683-2
FINISH	LOOSE PIECE	PART NUMBER	

THIS DRAWING IS A CONTROLLED DOCUMENT. DIMENSIONING AND TOLERANCING PER ASME Y14.5M-2009		DWN C.REIFSNYDER 23 JAN 96	TE Connectivity	
DIMENSIONS: INCHES		CHK R.STONE 26 MAR 96	NAME	
TOLERANCES UNLESS OTHERWISE SPECIFIED:		APVD P.FEINBERG 04 APR 96	SOCKET CONTACT, SIZE 20 DF, AMPLIMITE™	
0 PLC ± -	1 PLC ± -	PRODUCT SPEC	SIZE	CAGE CODE
2 PLC ± -	3 PLC ± .005	APPLICATION SPEC	A2	00779
4 PLC ± -	ANGLES ± -	FINISH	SCALE	DRAWING NO
MATERIAL PHOSPHOR BRONZE PER QQ-B-750	FINISH SEE TABLE	WEIGHT	10:1	C=66683
CUSTOMER DRAWING			SHEET	REV
			1 of 1	N

## X-ON Electronics

Largest Supplier of Electrical and Electronic Components

*Click to view similar products for [D-Sub Contacts](#) category:*

*Click to view products by [TE Connectivity](#) manufacturer:*

Other Similar products are found below :

[173112-0723](#) [173112-0393](#) [173112-0389](#) [173112-0750](#) [173112-0912](#) [D02-22-22P-10000](#) [D02-22-26S-10000](#) [FMP009P104](#) [FMP010P104](#)  
[FMP010S104](#) [FMP016P104](#) [FMP051S110](#) [FMX006S128B](#) [131A11039X](#) [131J21029X](#) [132J22039X](#) [132A11029X](#) [132A11049X](#)  
[132C12029X](#) [RMPIR01S02E2RLF](#) [DM53744-1](#) [1757912-1](#) [188582-000](#) [162A11839X](#) [162A11889X](#) [1757913-1](#) [FMP006S110](#)  
[FMP008P104](#) [FMP009S104](#) [FMP139S115](#) [212558-1](#) [D02-22-26P-10000](#) [L17DM53744217](#) [030-1955-000](#) [030-50634](#) [053744-0098](#)  
[601064N004](#) [601098N003](#) [6-745288-2](#) [D-610-10CS2962](#) [86303057NLF](#) [DM537425001NCLF](#) [173112-0045](#) [162A11819X](#) [1731120397](#) [40-](#)  
[9854MP](#) [1-208778-5](#) [1-745288-3](#) [173112-0455](#) [121A05329A](#)