

THIS DRAWING IS UNPUBLISHED. RELEASED FOR PUBLICATION

© COPYRIGHT

| REVISIONS | | | | DATE | APPROVED |
|-----------|---|------|-----|---------------------------|-------------|
| P | F | ZONE | LTR | DESCRIPTION | |
| ✓ | ✓ | F1 | | REVISED PER ECO-11-005294 | 05APR11 HMR |

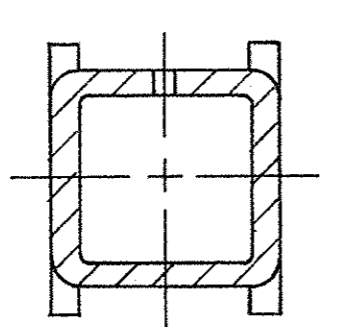
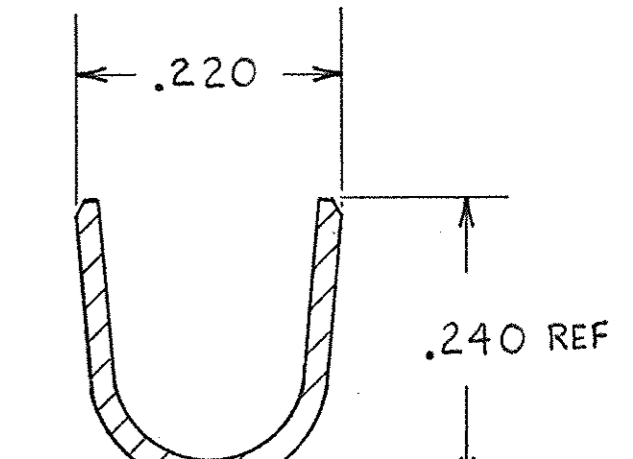
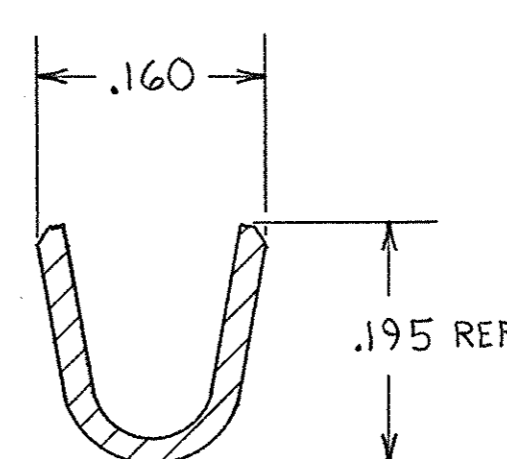
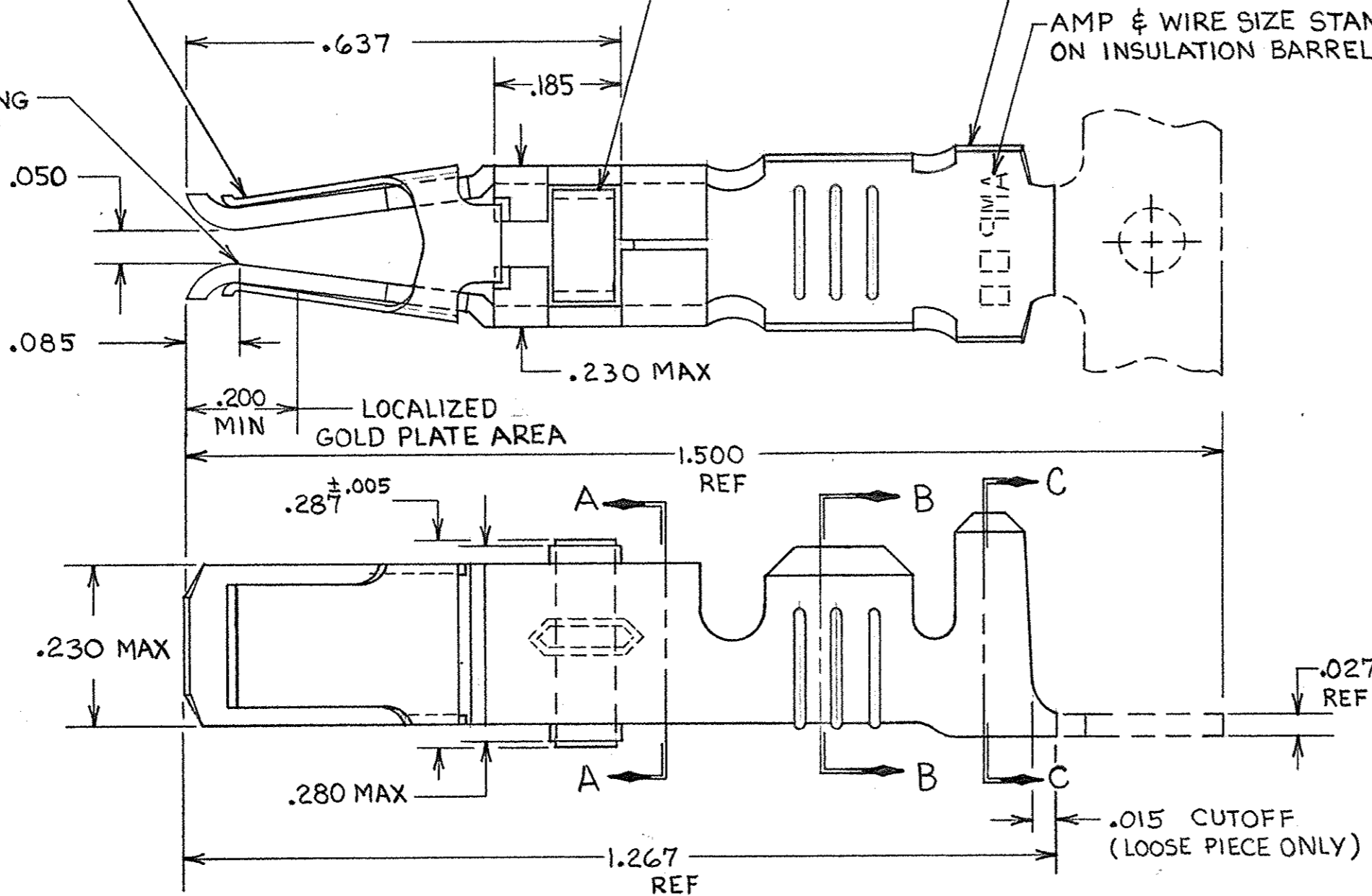
ASSIST SPRING
MATL: STAINLESS STEEL
PER QQ-S-766

TERMINAL LATCH
MATL: NYLON
COLOR: (SEE TABLE)

CONTACT BODY
MATL: COPPER PER QQ-C-576
FINISH: (SEE TABLE)

AMP & WIRE SIZE STAMPED
ON INSULATION BARREL

POINT OF PLATING
MEASUREMENT



SECTION A-A

① REELED FOR USE WITH STANDARD APPLICATORS.

② REELED FOR USE WITH HEAVY DUTY MINI-APPLICATORS.

③ PLATED WITH .000100 MIN SILVER PER QQ-S-365.

④ PLATED WITH .000015 MIN GOLD PER MIL-G-45204 IN THE LOCALIZED GOLD PLATE AREA, GOLD FLASH ON THE REMAINDER, OVER .000030 MIN NICKEL PER QQ-N-290.

⑤ PLATED WITH .000030 MIN GOLD PER MIL-G-45204 IN THE LOCALIZED GOLD PLATE AREA, GOLD FLASH ON THE REMAINDER, OVER .000030 MIN NICKEL PER QQ-N-290.

⑥ PLATED WITH .000050 MIN 93-7% TIN-LEAD ALLOY OVER .000030 MIN NICKEL PER QQ-N-290.

7. WIRE RANGE = 12-16 AWG.

8. INSULATION RANGE = .140-.165 DIA.

⑨ PLATED TIN (NO LEAD). 0.00050 MIN THK PER ASTM-B-595 OVER NICKEL .000030 MIN THK PER QQ-N-290.

| BLACK | ⑨ | 2-66740-1 | 2-66740-0/2 |
|----------------------|--------|---------------------|---------------|
| BLACK | ⑨ | 2-66740-1 | 1-66740-9 |
| BLACK | ⑥ | 66740-8 | 1-66740-2 |
| BLACK | ⑤ | 66740-6 | 1-66740-1 |
| BLACK | ④ | OBSOLETE | 1-66740-0 |
| NATURAL | ③ | 66740-2 | 66740-9 |
| BLACK | ⑥ | 66740-8 | 66740-7 |
| BLACK | ⑤ | 66740-6 | 66740-5 |
| BLACK | ④ | OBSOLETE | 66740-3 |
| NATURAL | ③ | 66740-2 | 66740-1 |
| TERMINAL LATCH COLOR | FINISH | LOOSE PIECE PART NO | STRIP PART NO |

| | | | | |
|--|-------------|-------------|--|------------|
| UNLESS OTHERWISE SPECIFIED DIMENSIONS ARE IN INCHES. TOLERANCES ON: DECIMALS ±.010 ANGLES ±.010 | CONTRACT NO | | | |
| | DR | 9-25-85 | | |
| | MATERIAL | SEE CALLOUT | NAME | |
| | FINISH | SEE DASH NO | FEMALE TYPE XII CONTACT ASSEMBLY, WITH ASSIST SPRING | |
| OTHER APPD | | SIZE | FSCM NO | DRAWING NO |
| | | C | 00779 | 66740 |
| | | SCALE NTS | | SHEET |

66740

X-ON Electronics

Largest Supplier of Electrical and Electronic Components

Click to view similar products for [Pin & Socket Connectors](#) category:

Click to view products by [TE Connectivity](#) manufacturer:

Other Similar products are found below :

[6450822-1](#) [770392-1](#) [794042-1](#) [796885-1](#) [8-794535-1](#) [PLR3455ACS-222](#) [R929991004](#) [R929993003](#) [1403611-1](#) [1-480349-5](#) [152302-5](#)
[153211-2](#) [1586092-1](#) [1586129-1](#) [1586681-4](#) [1586700-1](#) [1586368-1](#) [1586380-1](#) [1586616-1](#) [1586680-5](#) [16-06-0038](#) [164164-5](#) [1-6609930-1](#)
[172296-1](#) [19-09-2035](#) [200503-1](#) [200788-2](#) [2029090-4](#) [2029095-4](#) [925061-7](#) [293734-4](#) [293737-2](#) [1-765362-4](#) [1871534-1](#) [200833-4](#)
[2008625-2](#) [2029027-2](#) [2029096-4](#) [R929991000](#) [R929991002](#) [R929993000](#) [319-10-101-00-005000](#) [319-10-102-00-001000](#) [319-10-104-00-001000](#) [319-10-105-00-001000](#) [319-10-108-00-001000](#) [319-10-112-00-006000](#) [39-01-8019](#) [319-10-101-00-001000](#) [319-10-102-00-005000](#)