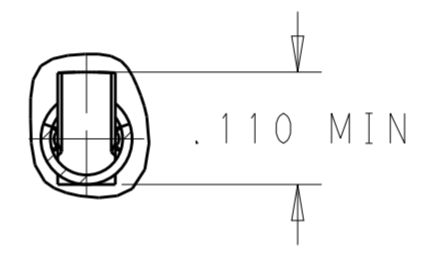
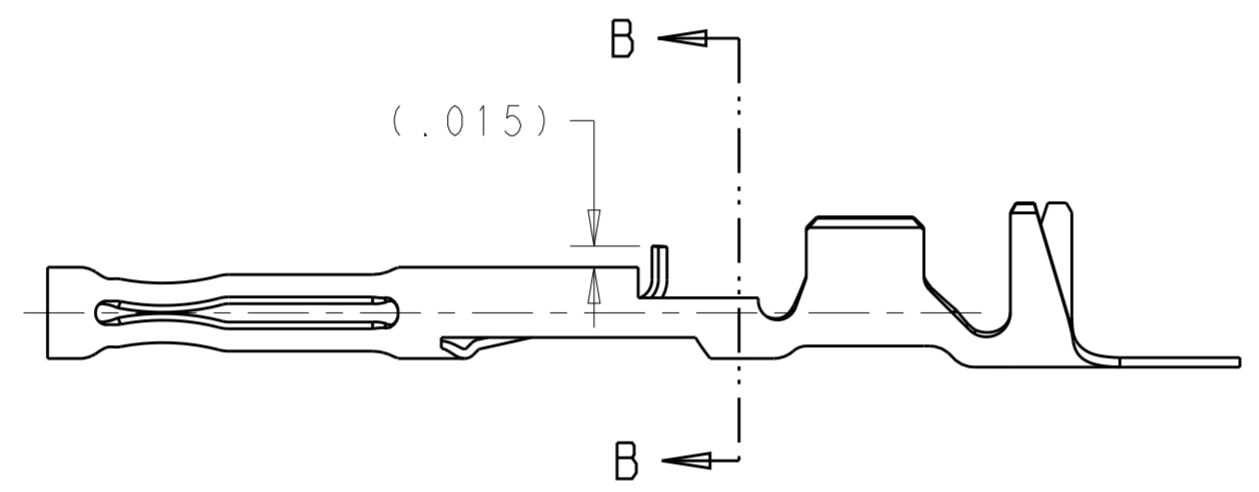
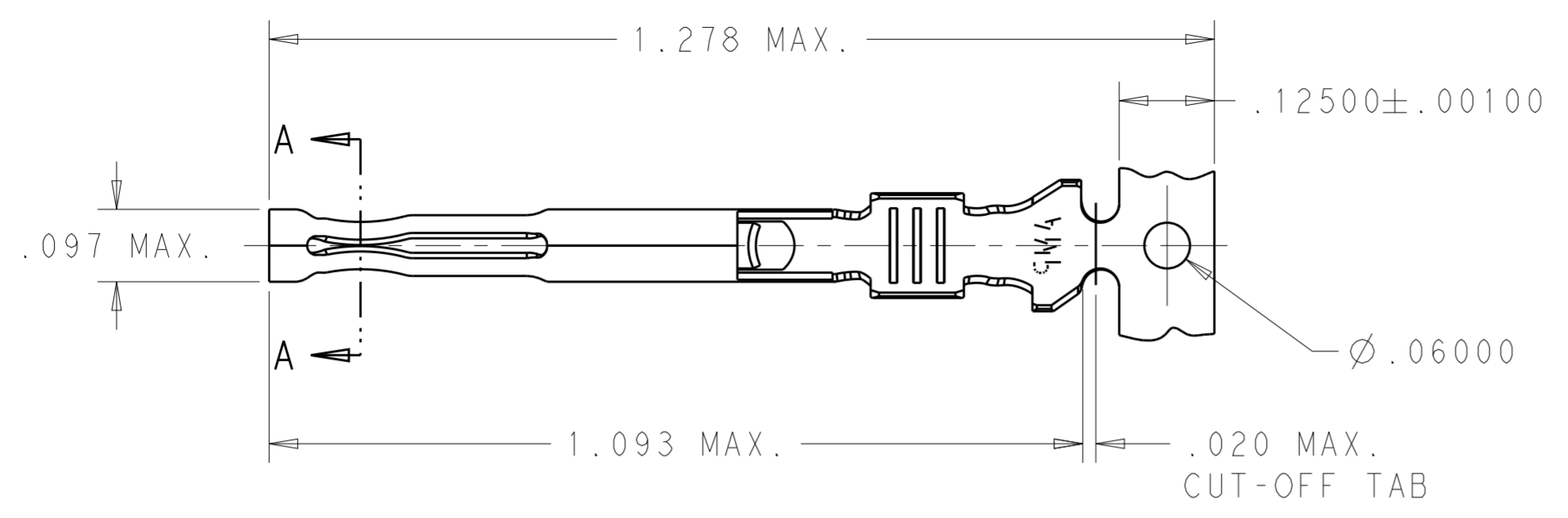


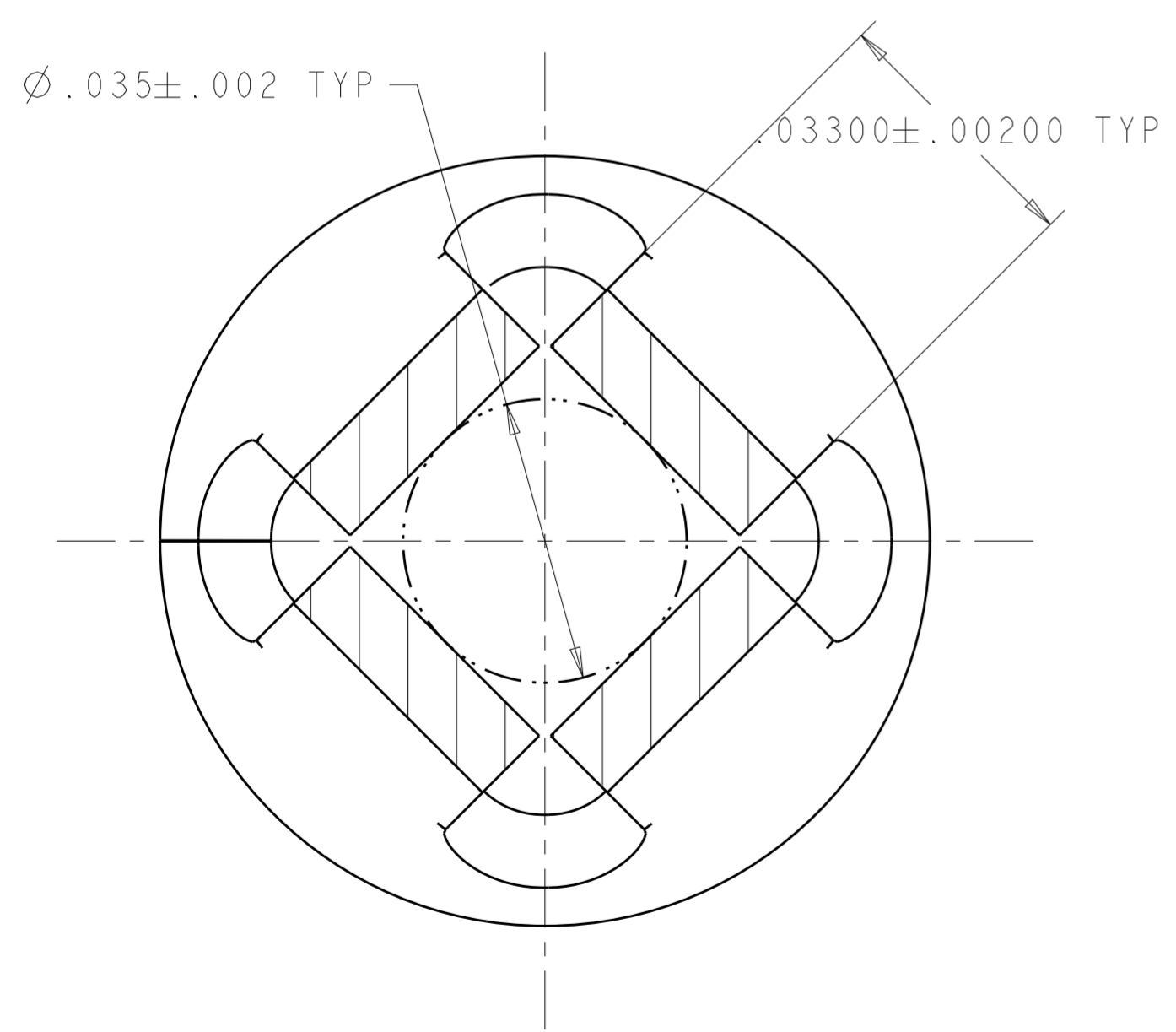
THIS DRAWING IS UNPUBLISHED. RELEASED FOR PUBLICATION 2012  
 © COPYRIGHT 2012 BY TE CONNECTIVITY ALL RIGHTS RESERVED.

LOC	DIST	REVISIONS					
GE	00	P	LTR	DESCRIPTION	DATE	DWN	APVD
		S		REV PER ECO-12-013239	07JUL2012	RGV	DCS
		T		REV PER ECO-17-005979	27APR2017	JM	DS



SECTION B-B

1. PLATE OVER ALL WITH .000050 MIN NICKEL, THEN STRIPE MATING AREA WITH .000030 MIN GOLD, THEN GOLD FLASH OVERALL.
2. WIRE RANGE: 18-16 AWG.
3. INSULATION RANGE: .098-.120 DIA.
4. DIE FEED: .450 ± .003.
5. CONTACT SUPPLIED ON REELS FOR MINI-APPLICATOR.
6. CUMMINS ELECTRONICS MUST BE INFORMED BY WAY OF A PRODUCT CHANGED IDENTIFICATION OF ALL CHANGES TO THE TE CUSTOMER DRAWINGS.
7. RECOMMENDED MATING PIN DIAMETER IS .040 ± .001 AS USED ON 212241 ASSEMBLY.



SECTION A-A  
SCALE 50:1

LOOSE PIECE OF 66773-2	66773-3
AS SHOWN	66773-2
MATERIAL	PART NO

THIS DRAWING IS A CONTROLLED DOCUMENT.		DWN R. VESTAL 29 JUN 2012	TE Connectivity	
DIMENSIONS: inch		CHK D. STRAUSSER 29 JUN 2012		
TOLERANCES UNLESS OTHERWISE SPECIFIED: 0 PLC ± 1 PLC ± 2 PLC ± 3 PLC ±.005 4 PLC ± ANGLES ± FINISH		APVD D. STRAUSSER 29 JUN 2012		
MATERIAL COPPER ALLOY		PRODUCT SPEC - APPLICATION SPEC 114-2125 WEIGHT -		
CUSTOMER DRAWING		SCALE 5:1	NAME SOCKET CONTACT, ECMSC SIZE CAGE CODE DRAWING NO A200779 C-66773 RESTRICTED TO - SHEET 1 OF 1 REV T	

## X-ON Electronics

Largest Supplier of Electrical and Electronic Components

*Click to view similar products for [Automotive Connectors](#) category:*

*Click to view products by [TE Connectivity](#) manufacturer:*

Other Similar products are found below :

[003-018-000](#) [60403001](#) [60993906-B](#) [M902-2131](#) [M902-2161](#) [M902-2344](#) [72.330.1035.1](#) [73.353.4028.0](#) [F119300-B](#) [F166900](#) [F258300-B](#)  
[F358300-B](#) [F407400](#) [F444110](#) [F487000](#) [F509500B-B](#) [827153-1](#) [8N1515-32-24P](#) [9-1326729-8](#) [925474-1](#) [928905-1](#) [964562-4](#) [968782-1](#)  
[GT17SA-8DS-HU](#) [98891-1012](#) [98947-1016](#) [12004147](#) [12004475-L](#) [12010290](#) [12010309-B](#) [12015454](#) [12020219-B](#) [12041318-B](#) [12052225-](#)  
[L](#) [12052466](#) [12064869](#) [12004327-B](#) [12015308](#) [12015384](#) [12015909](#) [1-21030-1](#) [12041254](#) [12041318](#) [12047946-B](#) [12047957](#) [12047957-L](#)  
[12059473](#) [12066261](#) [12110546](#) [12110546-B](#)