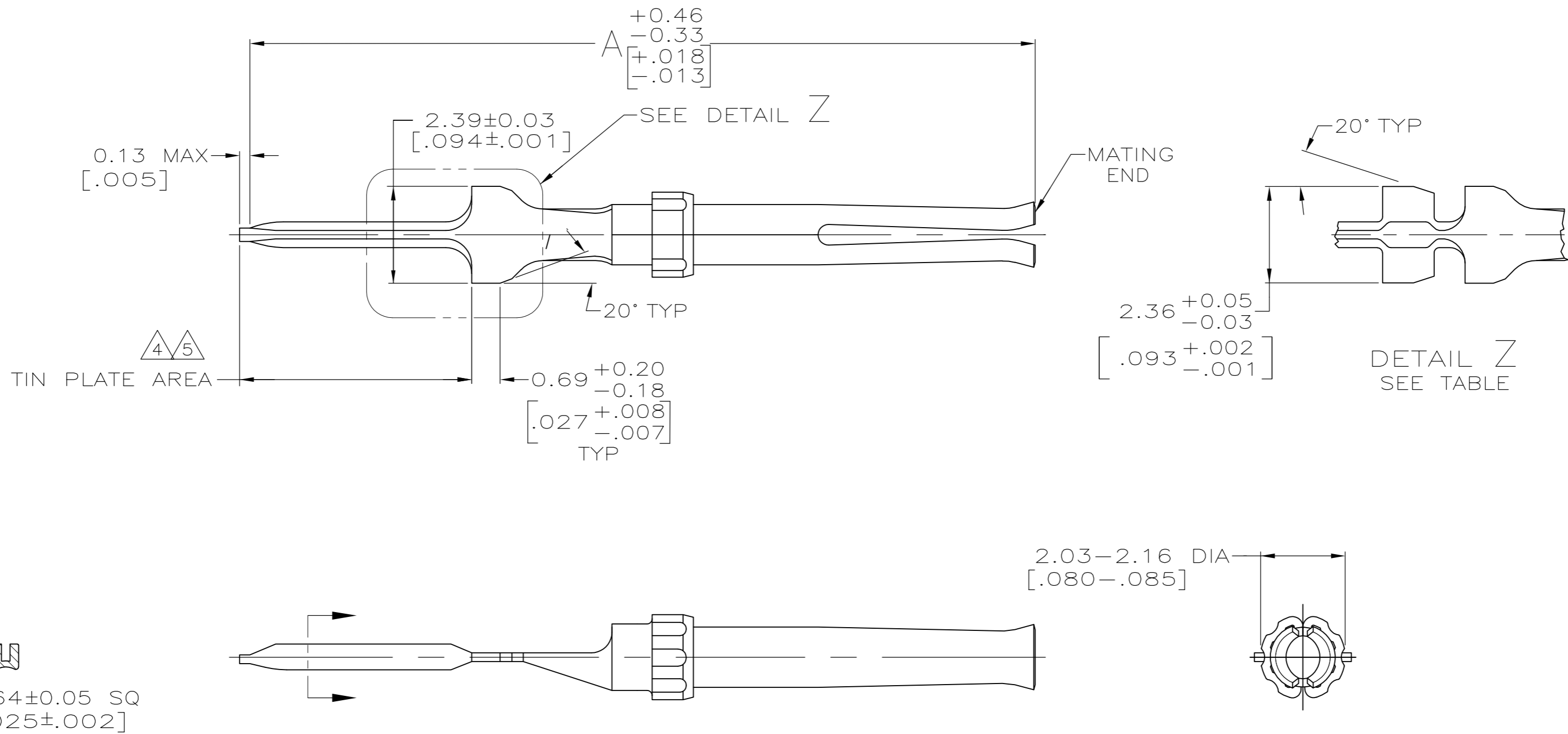


THIS DRAWING IS UNPUBLISHED. RELEASED FOR PUBLICATION
 © COPYRIGHT - By - ALL RIGHTS RESERVED.

LOC		DIST		REVISIONS			
P	LTR	DESCRIPTION	DATE	DWN	APVD		
GP	00	M	REVISED PER ECO-12-021105	27DEC2012	CJV	SLB	



- FOR MATING CONTACT SEE DRAWING 745287.
- TO BE USED FOR REPLACEMENT ONLY.
- PLATED GOLD FLASH FOR LENGTH OF 2.54 [.100] MIN FROM MATING END, 2.54μm [.000100] MIN TIN ON TIN PLATE AREA, ALL OVER 1.27μm [.000050] MIN NICKEL.
- PLATED GOLD FLASH FOR LENGTH OF 2.54 [.100] MIN FROM MATING END 2.54μm [.000100] MIN TIN-LEAD ON TIN PLATE AREA, ALL OVER 1.27μm [.000050] MIN NICKEL.
- PLATED 0.76μm [.000030] GOLD FOR LENGTH OF 2.54 [.100] MIN FROM MATING END, 2.54μm [.000100] MIN TIN-LEAD ON TIN PLATE AREA, ALL OVER 1.27μm [.000050] MIN NICKEL.
- GOLD PLATED AS FOLLOWS:
 PLATED WITH 0.76μm [.000030] GOLD FOR A LENGTH OF 2.54 [.100] MIN FROM MATING END, 2.54μm [.000100] MIN TIN ON TIN PLATE AREA, ALL OVER 1.27μm [.000050] MIN NICKEL.
 OR
 GOLD FLASH OVER PALLADIUM-NICKEL PLATE, 0.76μm [.000030] MIN TOTAL FOR A LENGTH OF 2.54 [.100] MIN FROM MATING END, 2.54μm [.000100] MIN TIN ON TIN PLATE AREA, ALL OVER 1.27μm [.000050] MIN NICKEL.
- MATERIAL: PHOSPHOR BRONZE.

	PER DETAIL Z	26.92 [1.060]	3	7-745288-2
OBSOLETE	AS SHOWN	30.15 [1.187]	6	7-745288-0
	PER DETAIL Z	32.56 [1.282]	6	6-745288-1
	PER DETAIL Z	26.92 [1.060]	6	5-745288-8
	AS SHOWN	19.30 [.760]	6	5-745288-5
OBSOLETE	AS SHOWN	30.15 [1.187]	5	4-745288-4
OBSOLETE	AS SHOWN	21.16 [.833]	5	2-745288-0
OBSOLETE	AS SHOWN	21.16 [.833]	4	1-745288-8
OBSOLETE	PER DETAIL Z	32.56 [1.282]	5	1-745288-2
OBSOLETE	PER DETAIL Z	32.56 [1.282]	4	1-745288-0
OBSOLETE	PER DETAIL Z	26.92 [1.060]	5	745288-8
OBSOLETE	PER DETAIL Z	26.92 [1.060]	4	745288-6
OBSOLETE	AS SHOWN	19.30 [.760]	5	745288-4
OBSOLETE	AS SHOWN	19.30 [.760]	4	745288-2
	RETENTION TINES	A	FINISH	PART NO

THIS DRAWING IS A CONTROLLED DOCUMENT. DIMENSIONING AND TOLERANCING PER ASME Y14.5M-2009

DWN: R.SHIREY 29 JAN 91
 CHK: J.MCCLINTON 06 FEB 91

TE Connectivity

SOCKET CONTACT, SIZE 20 DF, AMPLIMITE

SIZE: A2 CAGE CODE: 00779 C=745288

SCALE: 10:1 SHEET: 1 OF 1 REV: M

CUSTOMER DRAWING

X-ON Electronics

Largest Supplier of Electrical and Electronic Components

Click to view similar products for [D-Sub Contacts](#) category:

Click to view products by [TE Connectivity](#) manufacturer:

Other Similar products are found below :

[D02-22-26S-10000](#) [8656352067LF](#) [131A15029X](#) [132A11019X](#) [132J22039X](#) [132A11029X](#) [132A11049X](#) [1757912-1](#) [188582-000](#)
[162A11889X](#) [1757913-1](#) [212558-1](#) [030-1955-000](#) [053744-0098](#) [053744-0099](#) [053745-0105](#) [053745-0111](#) [601098N003](#) [86303057NLF](#)
[131A11019X](#) [162A11819X](#) [40-9854MP](#) [1-208778-5](#) [FC120N2](#) [MC7526D/AA](#) [MC8122D/AA](#) [FC4010D-15](#) [FC4006D](#) [121A05329A](#)
[164C16669X](#) [86566620064LF](#) [C330-8997-101H](#) [131A13019X](#) [DLS3XS5AK40X](#) [09692825723](#) [030-1954-000](#) [L17DM53744207](#)
[L17RRD1M11400](#) [030-1952-000](#) [1655496](#) [030-1953-000](#) [030-1953-030](#) [132C11039X](#) [132J15019X](#) [132C15019X](#) [132C11019X](#)
[131A10029X](#) [8638PSC2006LF](#) [8656453067LF](#) [86566520064LF](#)