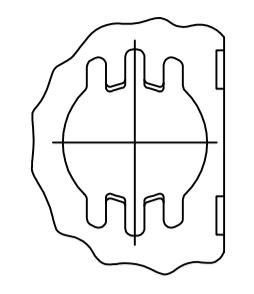
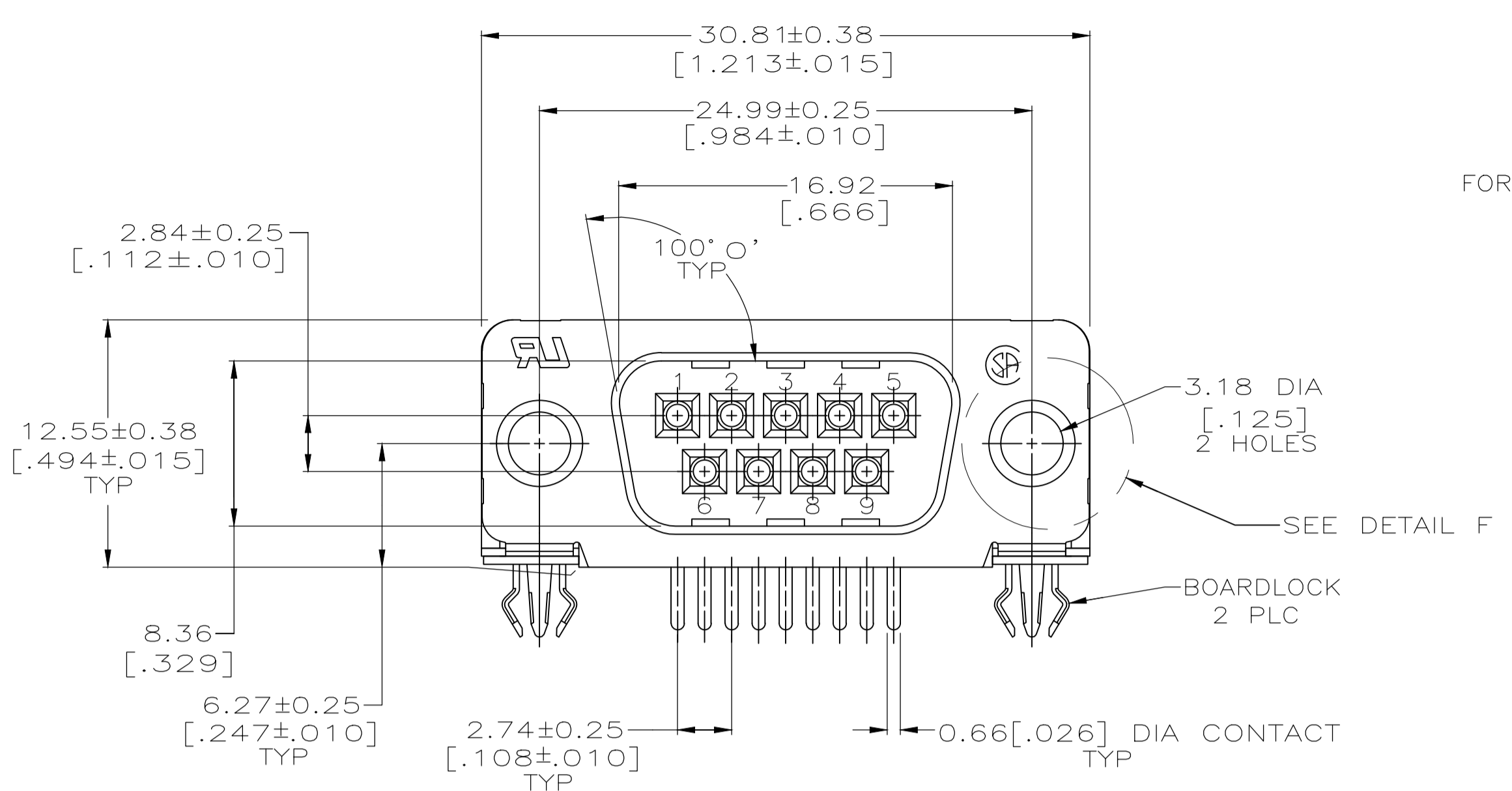
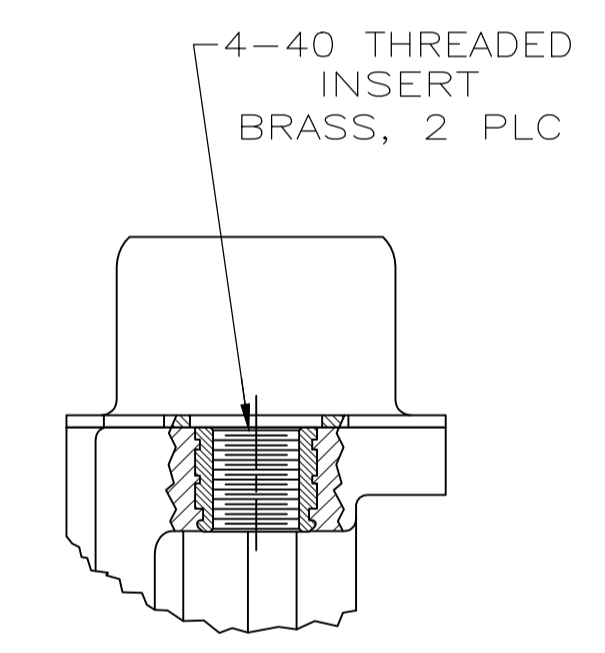
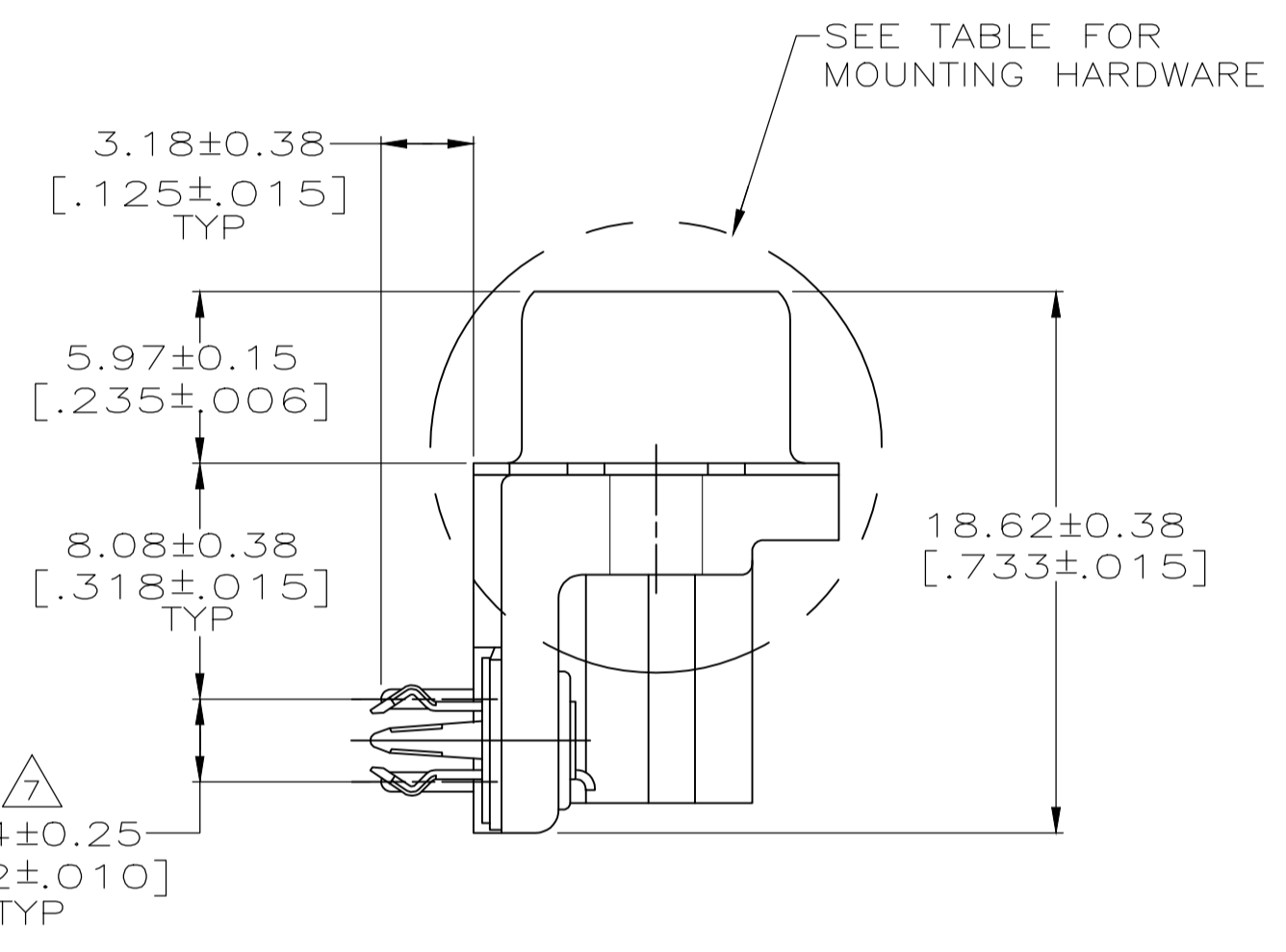
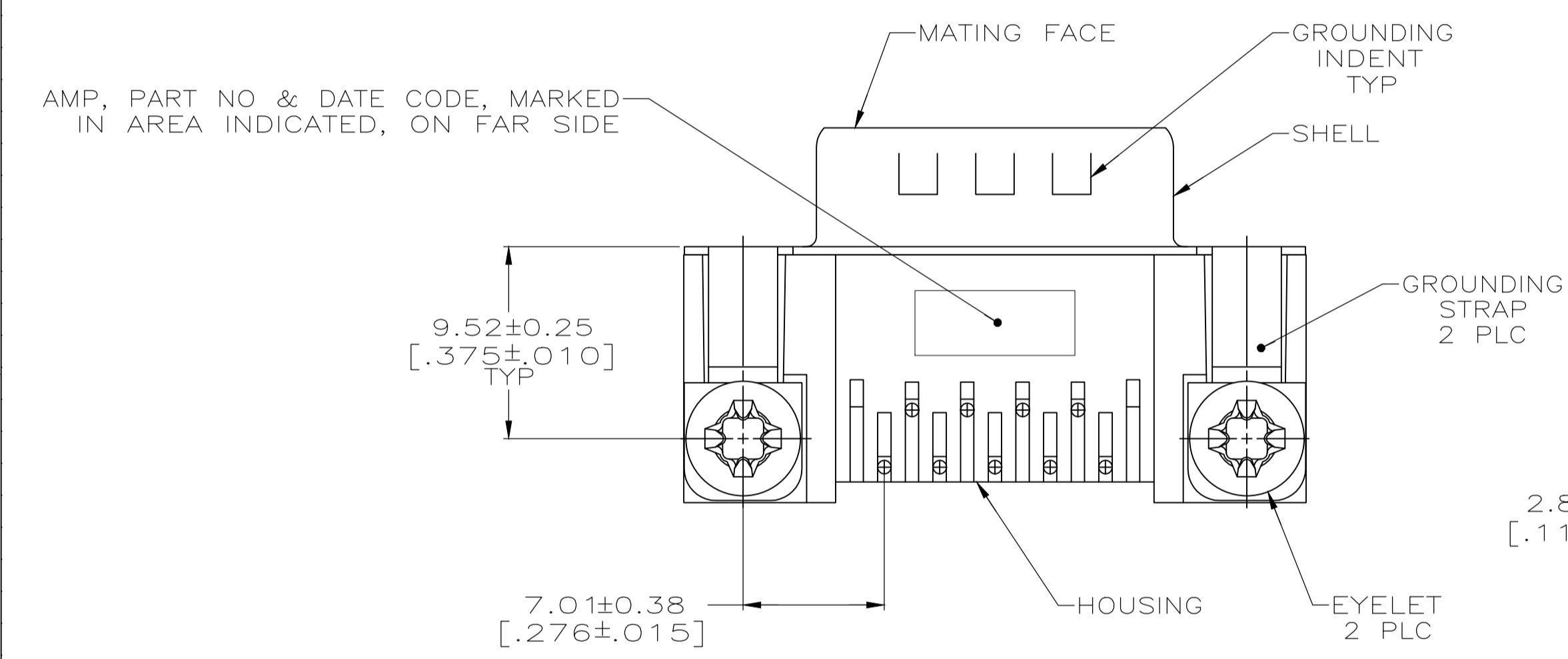


| REVISIONS | | | | |
|-----------|---------------|-------------|-----------|-------|
| P | LTR | DESCRIPTION | DATE | BY |
| AA | ECC-20-006404 | | 27SEP2020 | RR SH |

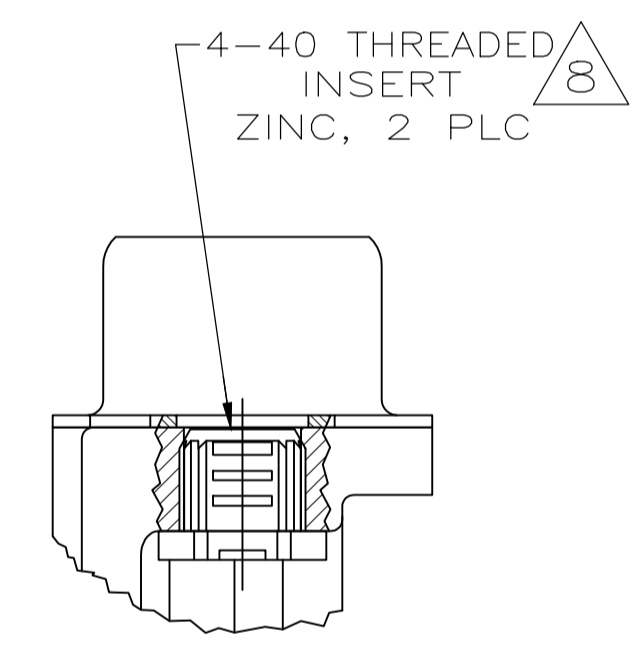


FOR -5 AND -6 ONLY
DETAIL F
2 PLC

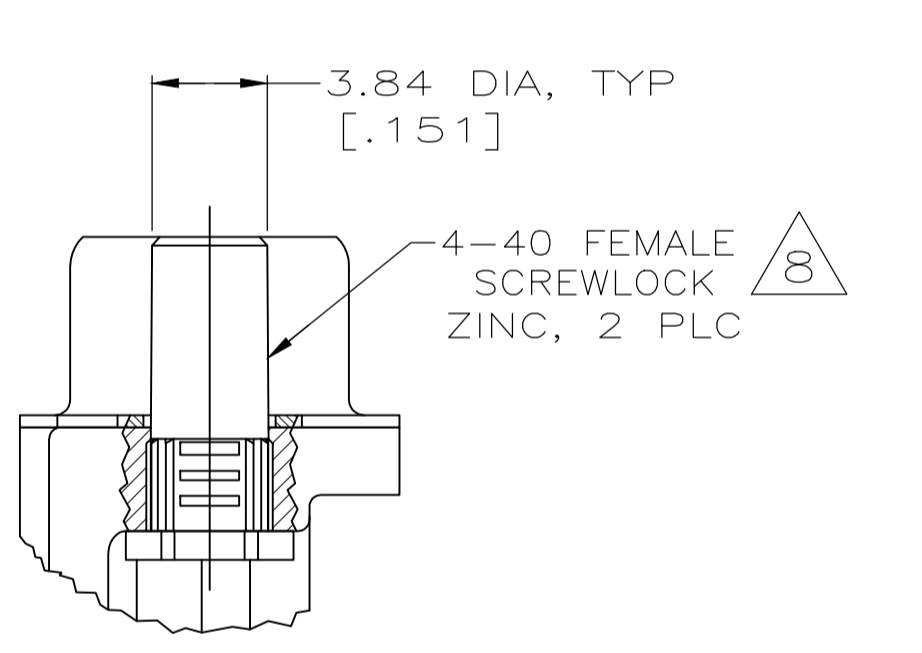
- ① HOUSING: NYLON OR POLYESTER, FLAME RETARDANT 94V-0 RATED, GLASS FILLED, BLACK
SHELLS: CARBON STEEL
CONTACTS: BRASS
BOARDLOCKS: COPPER ALLOY
EYELETS: BRASS
- ② SHELLS: 2.54µm[.000100] MIN TIN OVER 1.27µm[.000050] MIN COPPER.
EYELETS: 5.08µm[.000200] MIN TIN OVER COPPER FLASH.
CONTACTS AND BOARDLOCKS: SEE TABLE.
- ③ GOLD FLASH ON THE MATING SURFACES, 2.54µm[.000100] MIN TIN OR TIN-LEAD PLATE ON THE SOLDER END, 1.27µm[.000050] MIN NICKEL UNDERPLATE ON THE ENTIRE CONTACT.
- ④ 0.76µm[.000030] MIN GOLD PLATE ON THE MATING SURFACES, 2.54µm[.000100] MIN TIN OR TIN-LEAD PLATE ON THE SOLDER END, 1.27µm[.000050] MIN NICKEL UNDERPLATE ON THE ENTIRE CONTACT
-OR-
GOLD FLASH OVER PALLADIUM-NICKEL PLATE, 0.76µm[.000030] MIN TOTAL ON THE MATING SURFACES, 2.54µm[.000100] MIN TIN OR TIN-LEAD PLATE ON THE SOLDER END, 1.27µm[.000050] MIN NICKEL UNDERPLATE ON THE ENTIRE CONTACT.
- ⑤ 5.08µm[.000200] MIN TIN-LEAD OVER 1.27µm[.000050] MIN NICKEL.
- ⑥ 5.08µm[.000200] MIN TIN OVER 1.27µm[.000050] MIN NICKEL.
- ⑦ DIMENSION APPLIES FROM CENTER OF CONTACTS.
- ⑧ CLEAR CHROMATE.
- ⑨ OBSOLETE PARTS: OBSOLETE CIS STREAMLINING PER D.RENAUD/D.SINISI.



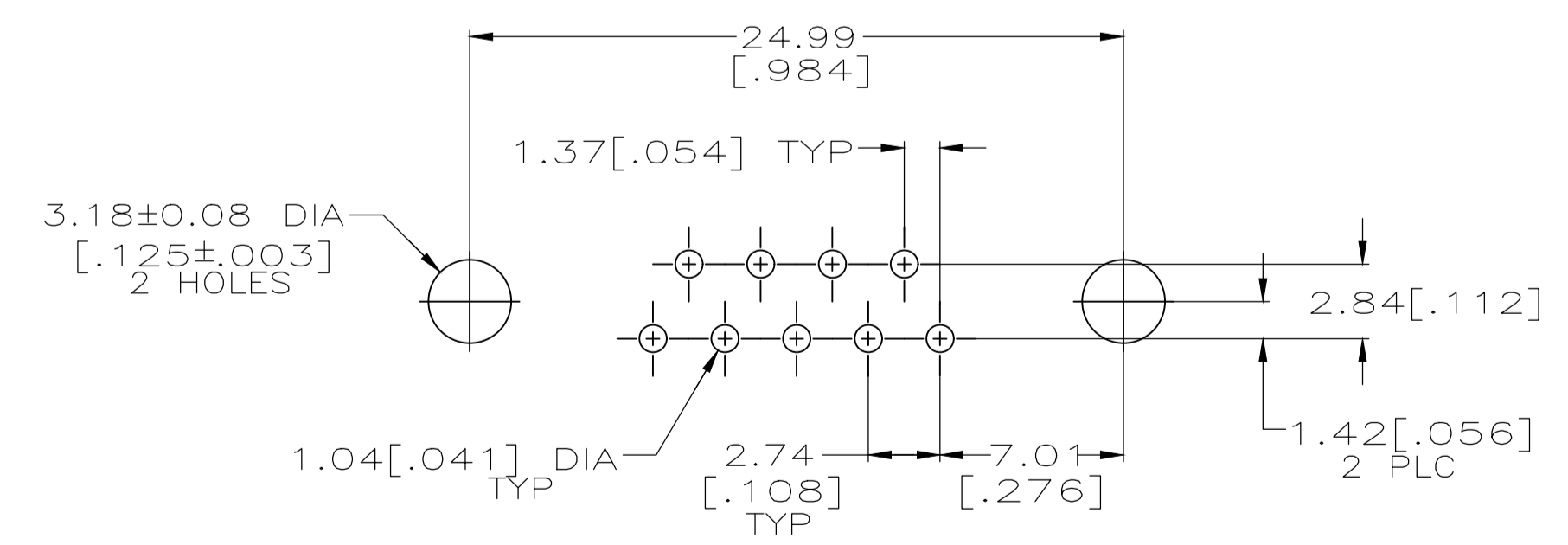
DETAIL C



DETAIL D



DETAIL E



P.C. BOARD MOUNTING DIMENSIONS
P.C. BOARD THICKNESS: 1.57[.062]

| DESCRIPTION | REF | FINISH | CONTACT FINISH | PART NUMBER |
|-----------------------|-------------------|------------------|----------------|-------------|
| TRAY | SEE DETAIL E | ⑥ | ④ | 7-747840-1 |
| - | SEE DETAIL E | ⑥ | ③ | 7-747840-0 |
| TRAY | SEE DETAIL D | ⑥ | ④ | 6-747840-9 |
| TRAY | SEE DETAIL D | ⑥ | ③ | -6-747840-8 |
| OBSOLETE | - | ⑥ | ④ | -6-747840-7 |
| OBSOLETE TRAY SPECIAL | SEE DETAIL D | ⑤ | ④ | 1-747840-2 |
| SUPSD BY 747840-6 | TUBE | ⑤ | ④ | 1-747840-0 |
| SUPSD BY 747840-3 | TUBE | ⑤ | ③ | 747840-9 |
| SUPSD BY 747840-4 | TUBE | ⑤ | ④ | 747840-8 |
| OBSOLETE | SEE DETAIL C | ⑤ | ③ | 747840-7 |
| TRAY | SEE DETAIL E | ⑤ | ④ | 747840-6 |
| - | SEE DETAIL E | ⑤ | ③ | 747840-5 |
| TRAY | SEE DETAIL D | ⑤ | ④ | 747840-4 |
| OBSOLETE TRAY | SEE DETAIL D | ⑤ | ③ | -747840-3- |
| SUPSD BY 5747840-2 | - | ⑤ | ④ | 747840-2 |
| SUPSD BY 5747840-2 | - | ⑤ | ③ | 747840-1 |
| PACKAGING | MOUNTING HARDWARE | BOARDLOCK FINISH | CONTACT FINISH | PART NUMBER |

THIS DRAWING IS A CONTROLLED DOCUMENT. DIMENSIONING AND TOLERANCING PER ASME Y14.5M-2009.

W.G. LENKER 05 OCT 89
R. STONE 05 FEB 90
M.D. GALLOWAY 06 FEB 90

APPROVED: M.D. GALLOWAY
NAME: M.D. GALLOWAY
PRODUCT SPEC: 108-40025
APPLICATION SPEC: 114-40010
WEIGHT: 0.000000
CUSTOMER DRAWING

TE Connectivity

PLUG ASSEMBLY, SIZE 1, 9 POSITION, RIGHT ANGLE, SHELL, .318 SERIES, BOARDLOCKS, Ⓞ

SIZE: A1
SCALE: 4:1
SHEET: 1 of 1
REV: AA

X-ON Electronics

Largest Supplier of Electrical and Electronic Components

Click to view similar products for [D-Sub Standard Connectors](#) category:

Click to view products by [TE Connectivity](#) manufacturer:

Other Similar products are found below :

[56F711-015](#) [012-9507-004](#) [LV242999-142T12](#) [015-0341-000](#) [015-0372-005](#) [015-0372-008](#) [015-8755-001](#) [020419-0104](#) [012-0467-000](#) [012-0515-000](#) [012-9507-034](#) [012-9507-114](#) [020745-0008](#) [609-25P](#) [M24308/2-23Z](#) [CT2-14S-2PCA34](#) [CT2-18-11PCAU](#) [CT6-10SL-3SC](#) [CT6-10SL-4SC](#) [CT6-14S-2SC](#) [CT6E14SA7SC](#) [M83513/01-FC](#) [M83723/76W24619 L/C](#) [M85049/48-3-2F](#) [6STD09PCM99B70X](#) [6STD09SCM99B30X](#) [6STD09SCT99S40X](#) [6STD15PCT99S40X](#) [6STD15SCM99B30X](#) [6STD15SCT99S40X](#) [6STF09PCM05B70X](#) [7-135760-9](#) [MC11E-10-6SN](#) [747552-3](#) [MD1-21PS](#) [MDM-15SCBRM7-F222](#) [MDM96517-699](#) [MDM96521-744](#) [MDVB1-21SL1](#) [MIK0-1-7SH003](#) [MIKQ6-7SH076](#) [MIKQ7-7PH077](#) [MIKQ7-7PH11](#) [MIKQ7-7PH32](#) [MJSV-28SL61](#) [MKJ4A1F14-55S](#) [8-135760-3](#) [8STD09PCM99B30X](#) [PG-KV/PV-16-GROM-SEALING](#) [GDA15P](#)