

THIS DRAWING IS UNPUBLISHED. RELEASED FOR PUBLICATION 20
 © COPYRIGHT 20 BY - ALL RIGHTS RESERVED.

LOC	DIST	REVISIONS					
CE	00	P	LTR	DESCRIPTION	DATE	DWN	APVD
			G	REV PER ECO-13-001189	24JAN2013	JM	TE

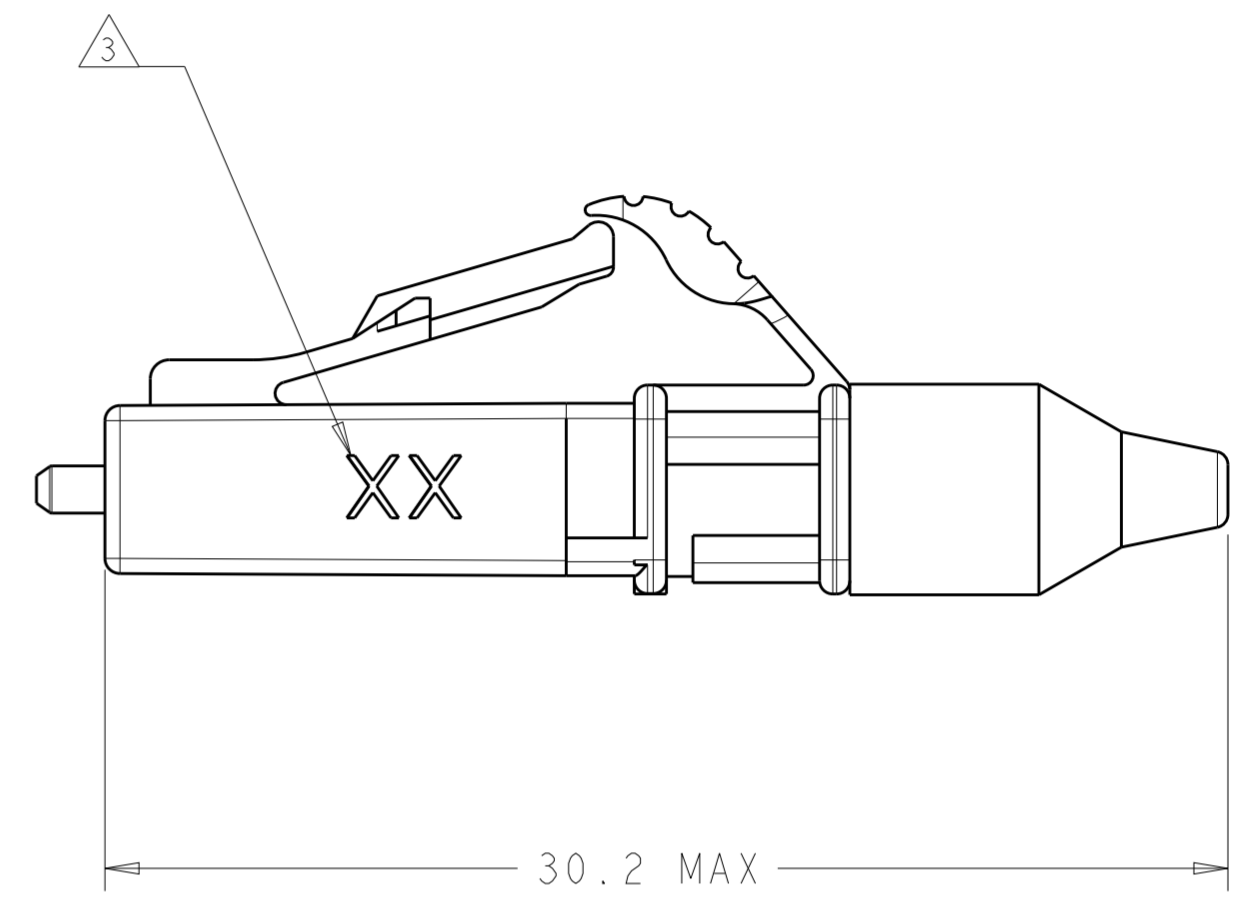
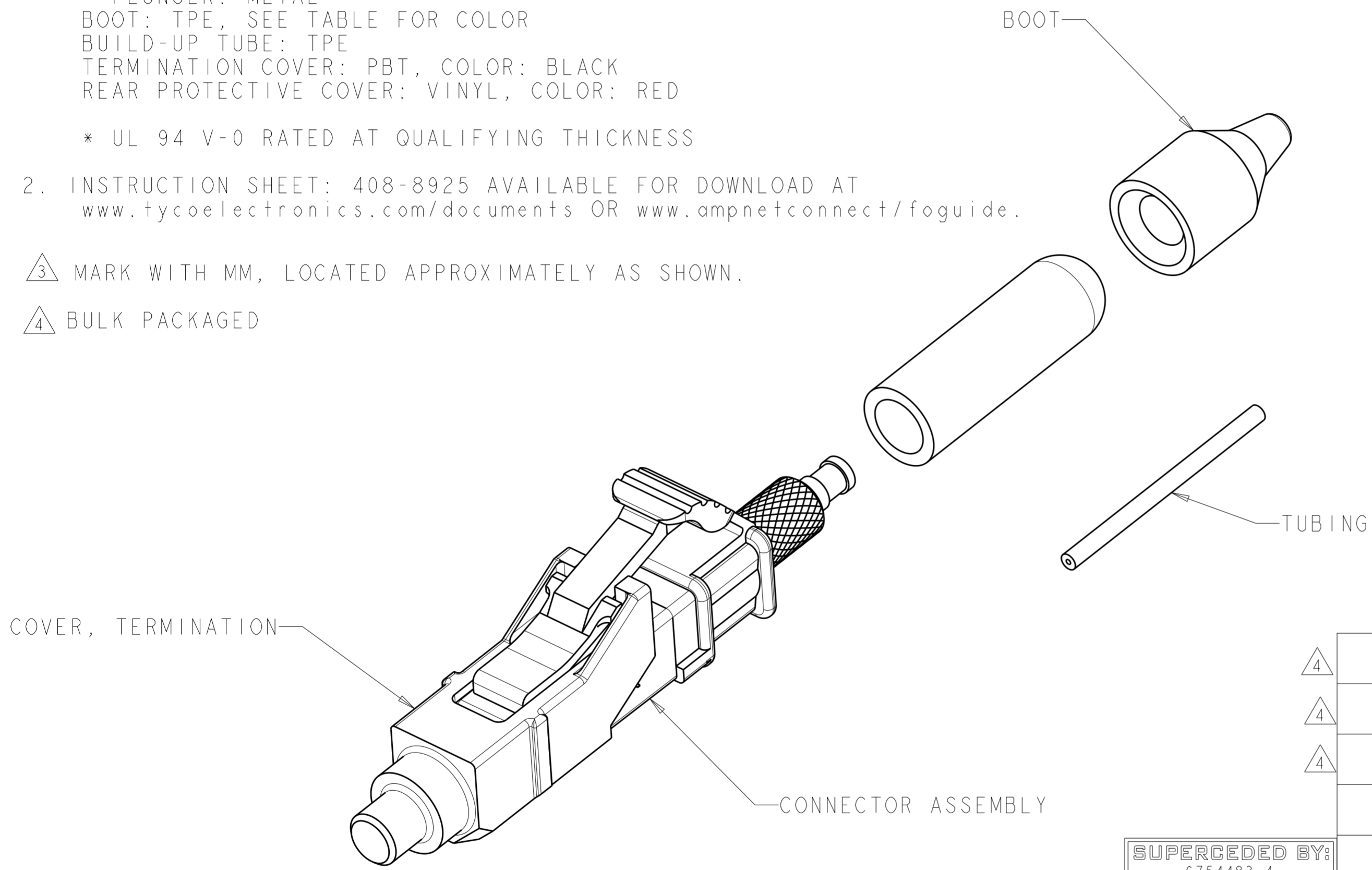
1 MATERIAL:
 CONNECTOR ASSEMBLY:
 CONNECTOR HOUSING: PPSU, COLOR: BEIGE *
 REAR BODY: METAL
 COMPRESSION SPRING: METAL
 FERRULE SUB ASSEMBLY: ZIRCONIA/ METAL
 INTERNAL SPLICE: PEI *
 PLUNGER: METAL
 BOOT: TPE, SEE TABLE FOR COLOR
 BUILD-UP TUBE: TPE
 TERMINATION COVER: PBT, COLOR: BLACK
 REAR PROTECTIVE COVER: VINYL, COLOR: RED

* UL 94 V-0 RATED AT QUALIFYING THICKNESS

2. INSTRUCTION SHEET: 408-8925 AVAILABLE FOR DOWNLOAD AT
www.tycoelectronics.com/documents OR www.ampnetconnect/foguide.

3 MARK WITH MM, LOCATED APPROXIMATELY AS SHOWN.

4 BULK PACKAGED



4	BEIGE	62.5/125um	6754483-7
4	BLACK	50/125um	6754483-6
4	AQUA	XG 50/125um	6754483-5
	AQUA	XG 50/125um	6754483-4
	GRAY	XG 50/125um	6754483-3
	BLACK	50/125um	6754483-2
	BEIGE	62.5/125um	6754483-1
	BOOT COLOR	DESCRIPTION	PART NO.

SUPERCEDED BY:
6754483-4

THIS DRAWING IS A CONTROLLED DOCUMENT.

DWN D ERDMAN 24DEC2005	TE Connectivity					
CHK M GURRERI 24DEC2005						
APVD BAECHTLE 24DEC2005						
NAME KIT, CONNECTOR, LightCrimp Plus LC SIMPLEX, MM 250-900um BUFFER						
DIMENSIONS: mm	TOLERANCES UNLESS OTHERWISE SPECIFIED:	PRODUCT SPEC	SIZE	CAGE CODE	DRAWING NO	RESTRICTED TO
0 PLC ±-	1 PLC ±0.5	-	A2	00779	C-6754483	-
2 PLC ±0.13	3 PLC ±0.013	APPLICATION SPEC	SCALE	SHEET	OF	REV
4 PLC ±0.0001	ANGLES ±-	-	5:1	1	1	G
MATERIAL	FINISH	WEIGHT	CUSTOMER DRAWING			

X-ON Electronics

Largest Supplier of Electrical and Electronic Components

Click to view similar products for [Fibre Optic Connectors](#) category:

Click to view products by [TE Connectivity](#) manufacturer:

Other Similar products are found below :

[0004700001](#) [6100-R](#) [6313](#) [F709034706](#) [F709722200](#) [F709730000](#) [F718183204](#) [F727403500](#) [F727752800](#) [8119](#) [9440F20-27S-190](#) [944-120-6001](#) [9441F10SL-3S](#) [9444W28-21S](#) [9444W36-10S](#) [9446F10SL-4S](#) [9446W20-16S](#) [953-101-5310-P](#) [954-101-57202B](#) [A0270169](#) [12-9122](#) [12-5702](#) [AX101713](#) [AX102420](#) [AX103923](#) [AX104024](#) [AX104193](#) [AX104230](#) [AX104562](#) [AX105203-B25](#) [AX105205-S1](#) [EHSC2M](#) [181-011-126](#) [181-011-S](#) [181-057-126](#) [HRFC-R2\(40\)](#) [NKSOPBUY](#) [20500002116](#) [2064996-1](#) [20800001065](#) [2170](#) [9132](#) [2612](#) [2620](#) [9291](#) [9440F16-10S](#) [9440F20-18S](#) [9446F16-10S-190](#) [953-106-50231](#) [953-120-5003](#)