

THIS DRAWING IS UNPUBLISHED. RELEASED FOR PUBLICATION 20
 © COPYRIGHT 20 ALL RIGHTS RESERVED.

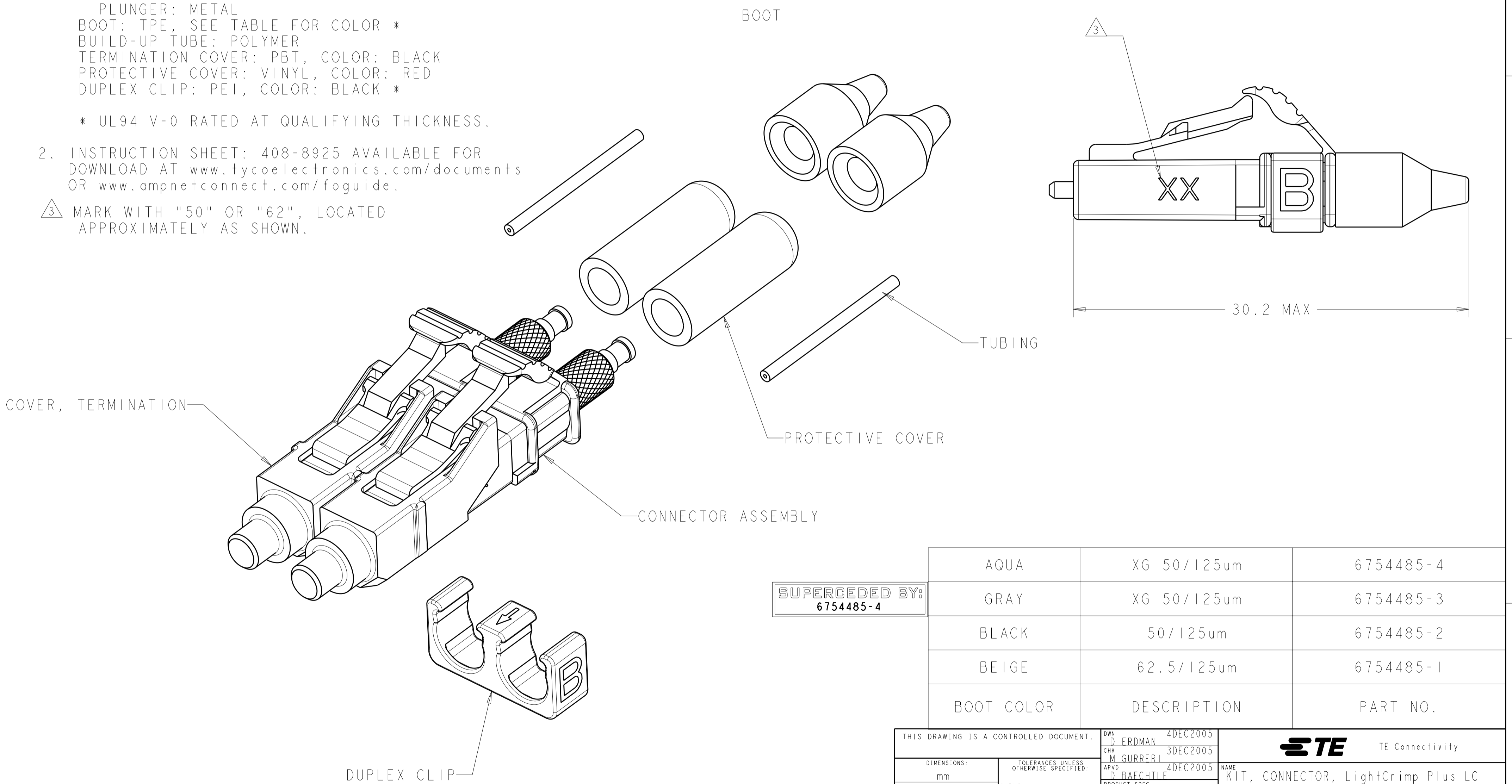
LOC	DIST	REVISIONS			
P	LTR	DESCRIPTION	DATE	DWN	APVD
CE	00	F3	REVISED PER ECO-11-005139	27APR2011	RK HMR

1 MATERIAL:
 CONNECTOR ASSEMBLY:
 CONNECTOR HOUSING: PPSU, COLOR: BEIGE *
 REAR BODY: METAL
 COMPRESSION SPRING: METAL
 FERRULE SUB ASSEMBLY: ZIRCONIA/ METAL
 INTERNAL SPLICE: PEI *
 PLUNGER: METAL
 BOOT: TPE, SEE TABLE FOR COLOR *
 BUILD-UP TUBE: POLYMER
 TERMINATION COVER: PBT, COLOR: BLACK
 PROTECTIVE COVER: VINYL, COLOR: RED
 DUPLEX CLIP: PEI, COLOR: BLACK *

* UL94 V-0 RATED AT QUALIFYING THICKNESS.

2. INSTRUCTION SHEET: 408-8925 AVAILABLE FOR
 DOWNLOAD AT www.tycoelectronics.com/documents
 OR www.amphenolconnect.com/foguide.

3 MARK WITH "50" OR "62", LOCATED
 APPROXIMATELY AS SHOWN.



SUPERCEDED BY:
6754485-4

BOOT COLOR	DESCRIPTION	PART NO.
AQUA	XG 50/125um	6754485-4
GRAY	XG 50/125um	6754485-3
BLACK	50/125um	6754485-2
BEIGE	62.5/125um	6754485-1

THIS DRAWING IS A CONTROLLED DOCUMENT.		DWN D. ERDMAN 14DEC2005	STE TE Connectivity	
DIMENSIONS: mm		CHK M. GURRERI 13DEC2005		
TOLERANCES UNLESS OTHERWISE SPECIFIED:		APVD D. BAECHTLE 14DEC2005	NAME KIT, CONNECTOR, LightCrimp Plus LC	
0 PLC ±-		PRODUCT SPEC	DUPLEX, MM	
1 PLC ±0.5		APPLICATION SPEC	250-900um BUFFER	
2 PLC ±0.13		WEIGHT	SIZE A2	CAGE CODE C-6754485
3 PLC ±0.013		CUSTOMER DRAWING	SCALE 4:1	SHEET 1 OF 1
4 PLC ±0.0001				REV F3
ANGLES ±				
FINISH				

X-ON Electronics

Largest Supplier of Electrical and Electronic Components

Click to view similar products for [Fibre Optic Connectors](#) category:

Click to view products by [TE Connectivity](#) manufacturer:

Other Similar products are found below :

[0004700001](#) [6100-R](#) [6313](#) [F709034706](#) [F709722200](#) [F709730000](#) [F718183204](#) [F727403500](#) [F727752800](#) [8119](#) [9440F20-27S-190](#) [944-120-6001](#) [9441F10SL-3S](#) [9444W28-21S](#) [9444W36-10S](#) [9446F10SL-4S](#) [9446W20-16S](#) [953-101-5310-P](#) [954-101-57202B](#) [A0270169](#) [12-9122](#) [12-5702](#) [AX101713](#) [AX102420](#) [AX103923](#) [AX104024](#) [AX104193](#) [AX104230](#) [AX104498](#) [AX104562](#) [AX105203-B25](#) [AX105205-S1](#) [EHSC2M](#) [181-011-126](#) [181-011-S](#) [181-057-126](#) [HRFC-R2\(40\)](#) [NKSOPBUY](#) [20500002116](#) [2064996-1](#) [20800001065](#) [2170](#) [9132](#) [2612](#) [2620](#) [9291](#) [9440F16-10S](#) [9440F20-18S](#) [9446F16-10S-190](#) [953-106-50231](#)