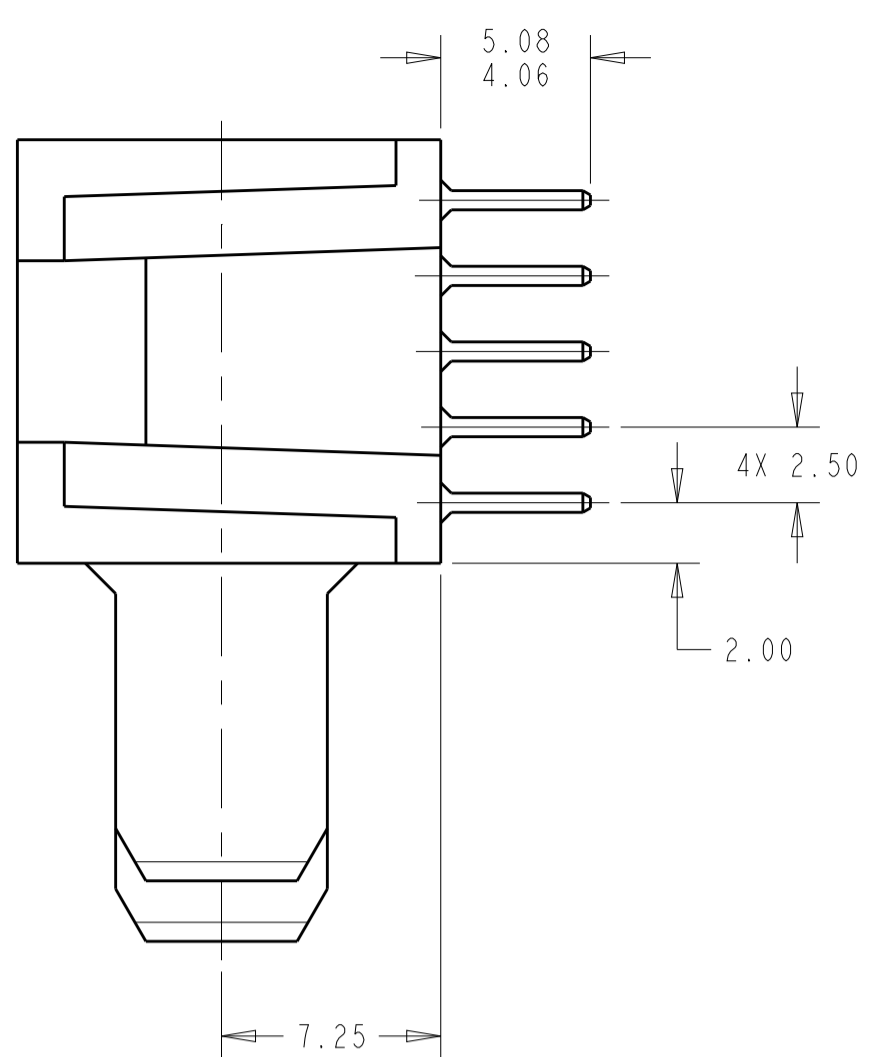
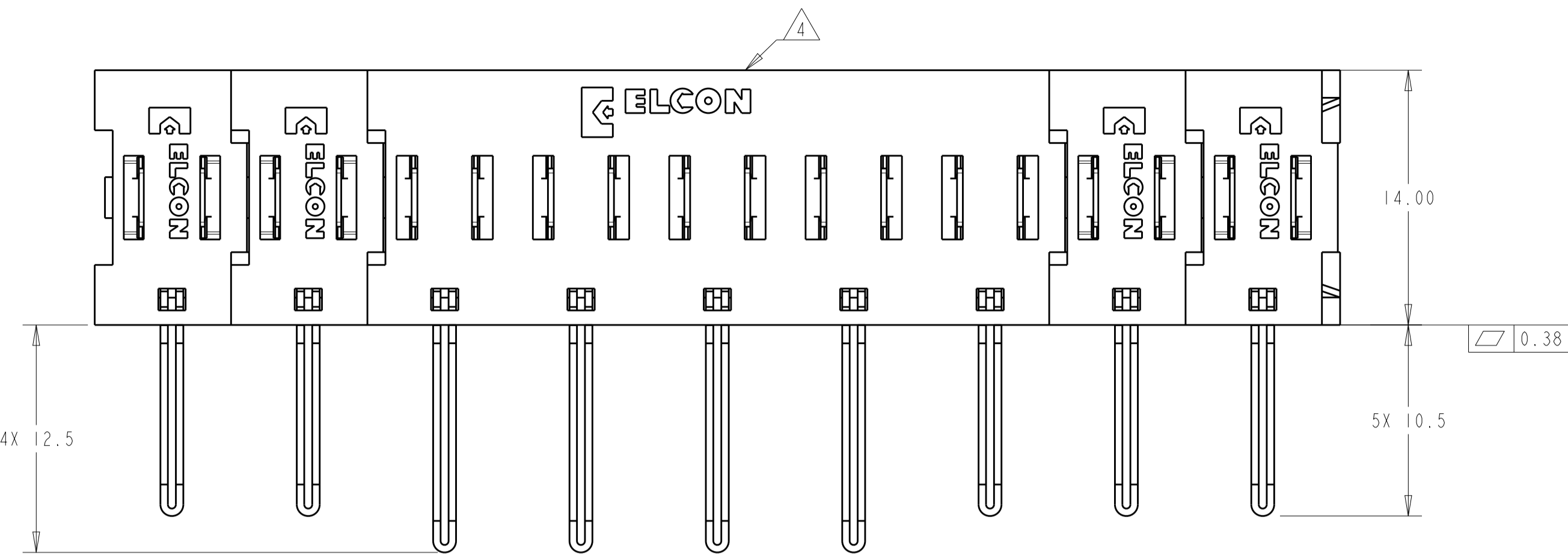
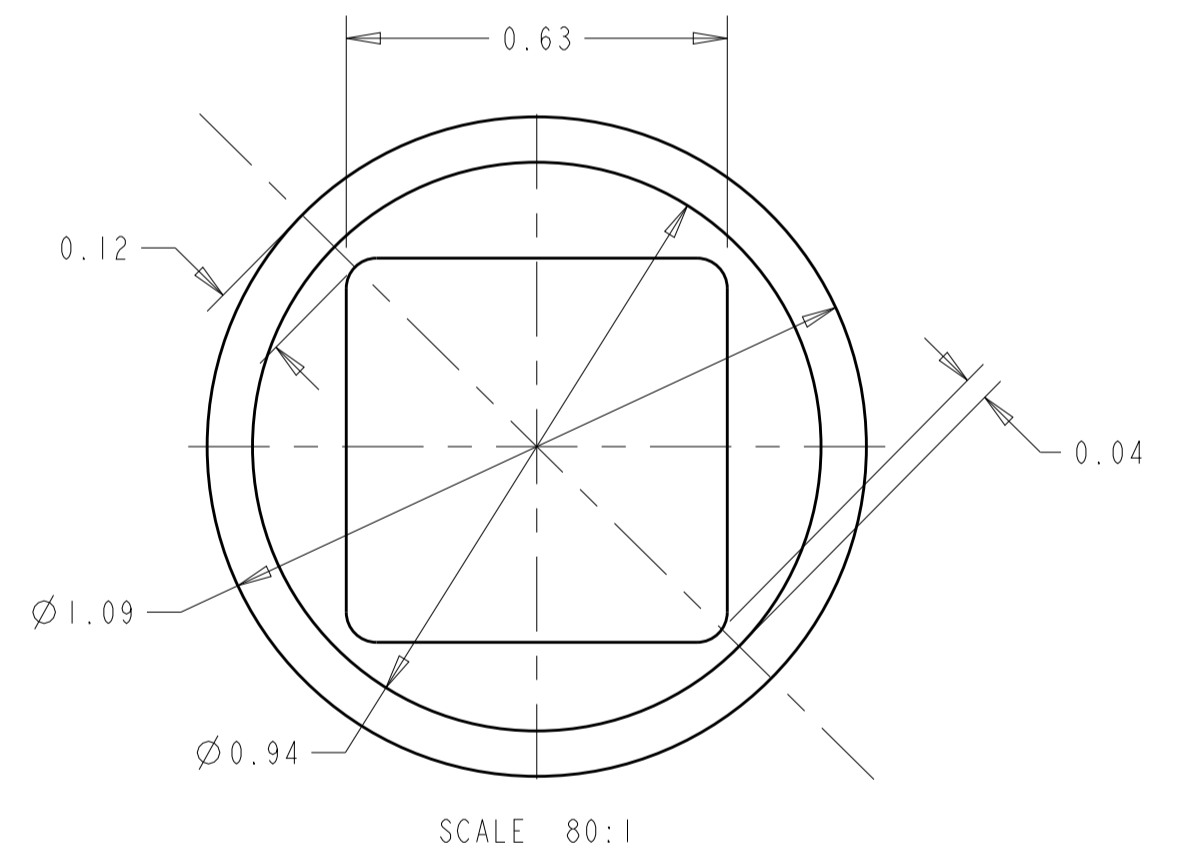
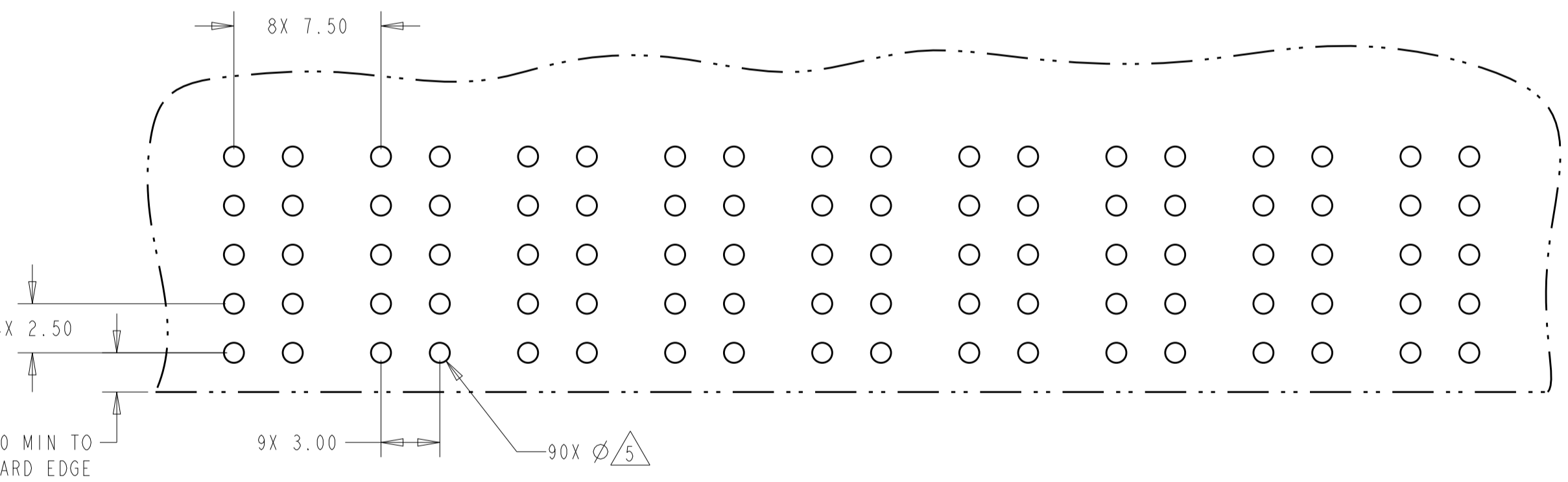
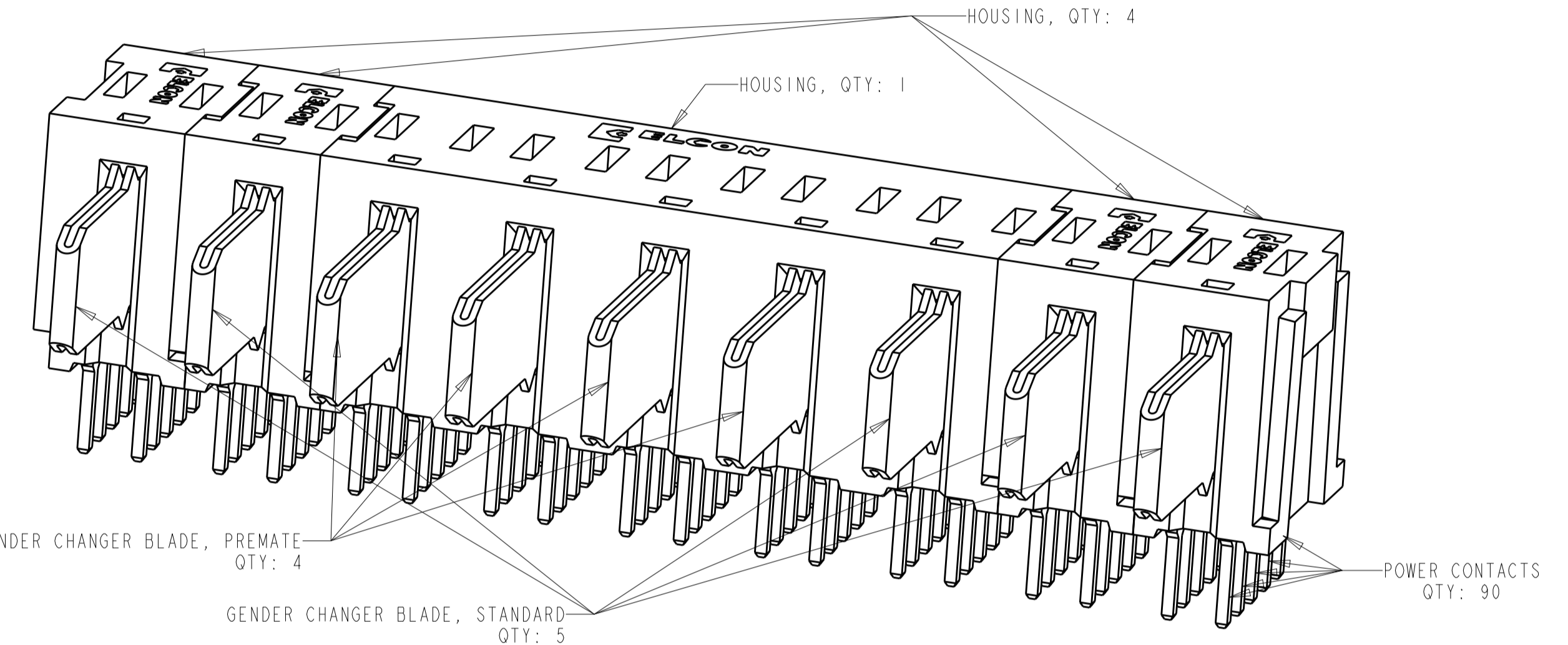
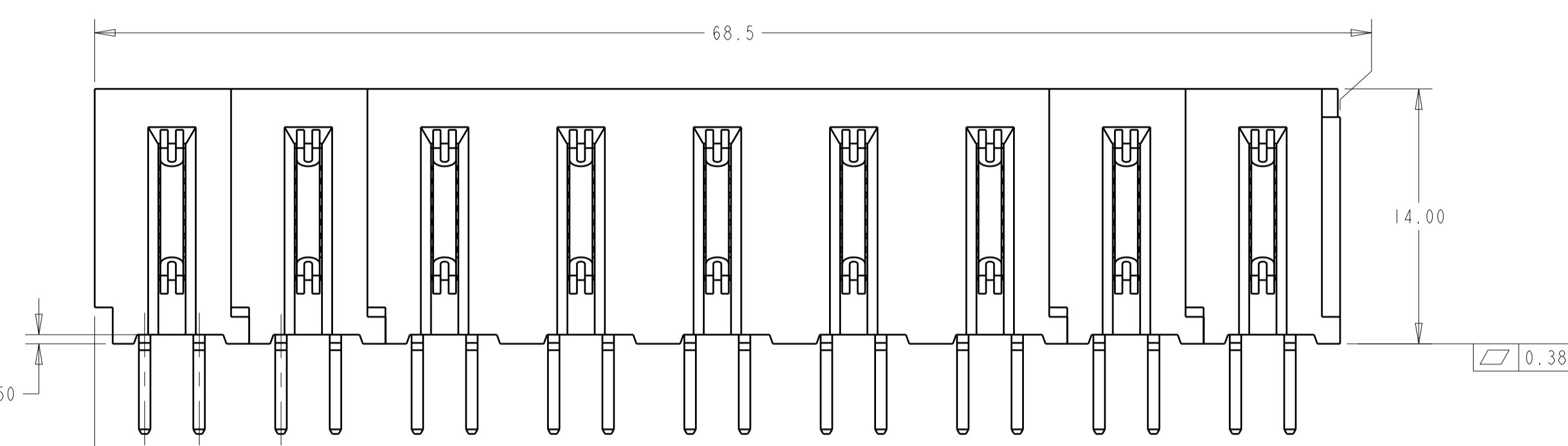


| REVISIONS | | | | |
|-----------|------|-------------|-----------|--------|
| P. | LTN. | DESCRIPTION | DATE | APP'D. |
| A | | RELEASED | 15JAN2015 | LAW DO |



- PART NUMBER CHANGES AND/OR DESIGN CHANGES AFFECTING ITEM INTERCHANGEABILITY REQUIRE PRIOR TO CONNECTIVITY APPROVAL AND AUTHORIZATION BY REVISION TO THIS DRAWING
 - MATERIAL:
HOUSING - THERMOPLASTIC, GLASS REINFORCED, COLOR: BLACK, UL94v-0 FLAMMABILITY RATED
GENDER CHANGER - COPPER ALLOY
POWER CONTACTS - PHOSPHOR BRONZE ALLOY
CROWN BAND - BERYLLIUM COPPER
 - FINISH:
GENDER CHANGER AND CROWN BAND - 0.76µm MIN GOLD PLATE OVER 1.27µm MIN NICKEL
SOLDER TAILS - 3.05µm MIN TIN OVER 1.27µm NICKEL
- △ TE CONNECTIVITY, PART NUMBER AND DATE CODE LOCATED IN THE APPROXIMATE AREA SHOWN
 △ SEE PRINTED CIRCUIT BOARD LAYOUT AND SOLDER TERMINATION VIEW



△ SOLDER TERMINATION AREA
 RECOMMENDED PRINTED CIRCUIT SOLDER HOLE
 FINISHED HOLE: $\varnothing 1.02 \pm 0.08$
 DRILLED HOLE: $\varnothing 1.15 \pm 0.013$
 COPPER PLATE: 0.025 MIN
 TIN PLATE: 0.008 MIN (PER SURFACE)

PRINTED CIRCUIT BOARD LAYOUT
 COMPONENT SIDE

| CONNECTOR | TE PART NUMBER | ELCON PART NUMBER | CATALOG MODULE # | MODULE QTY | CONTACT QTY | SIZE NO | MATING PIN (mm) | MAX CURRENT (PER CONTACT) | CONTACT SPACING (mm) | VOLTAGE RATING |
|-----------|----------------|-------------------|------------------|------------|-------------|---------|-----------------|---------------------------|----------------------|----------------|
| PIN | 6766041-1 | 279-1167-00100A | FP105 FP106 | 5 4 | 5 4 | 8 | 1.25 X 7.00 | 35 AMPS | 7.50 | 250 VOLTS |

6766041-1
 PART NUMBER

THIS DRAWING IS A CONTROLLED DOCUMENT.

DIMENSIONS: mm

TOLERANCES UNLESS OTHERWISE SPECIFIED:

| | |
|--------|-------|
| 0 PLC | ± |
| 1 PLC | ±0.5 |
| 2 PLC | ±0.25 |
| 3 PLC | ± |
| 4 PLC | ± |
| ANGLES | ±0.5° |

MATERIAL: SEE NOTE 1

FINISH: SEE NOTE 2

Customer Drawing

DWN: L.A. WENSEL 14JAN2015
 CHK: D. ORRIS 14JAN2015
 APP'D: S. STRICKLER 14JAN2015

NAME: TOP CONNECTOR ASSEMBLY, PIN, RIGHT ANGLE, SOLDER TAILS, FLATPAQ

SIZE: A1

CAGE CODE: -

DRAWING NO: C=6766041

RESTRICTED TO: -

SCALE: 80:1

SHEET 1 OF 1

REV A

STE TE Connectivity

X-ON Electronics

Largest Supplier of Electrical and Electronic Components

Click to view similar products for [Heavy Duty Power Connectors](#) category:

Click to view products by [TE Connectivity](#) manufacturer:

Other Similar products are found below :

[647757-1](#) [6643411-1](#) [6646058-2](#) [6646137-1](#) [6646138-1](#) [6646479-1](#) [6646608-1](#) [6646786-1](#) [6646940-1](#) [6651091-1](#) [6651525-1](#) [6651529-1](#)
[6651788-1](#) [696475-1](#) [702-32-01109](#) [703-25-02205](#) [73000005059](#) [73000005642](#) [73080255059](#) [73080965046](#) [765-15-0080A](#) [765-16-0080B](#)
[765-18-0080D](#) [829992-1](#) [902-77-02113](#) [PS00/A0620/6300](#) [PS25/A0420/63](#) [129-1J](#) [1409400](#) [AN0024023](#) [E6374G1](#) [e6389g2](#) [157-43GW8](#)
[MS3117-14AC](#) [1643543-1](#) [1650540-1](#) [1651811-2](#) [1766260-1](#) [1766282-1](#) [1766966-1](#) [1791340000](#) [NLDFT-3-BL-L-S120-M40A](#) [NLDFT-N-](#)
[W-L-C240-M40B](#) [NLS-2-R-C240-M40B](#) [NLS-N-W-C240-M40B](#) [NPS-3-BL-T6](#) [1986615-1](#) [2-1589900-8](#) [2199314-1](#) [KA8102](#)