

THIS DRAWING IS UNPUBLISHED. RELEASED FOR PUBLICATION
 © COPYRIGHT - BY TYCO ELECTRONICS CORPORATION. ALL RIGHTS RESERVED.

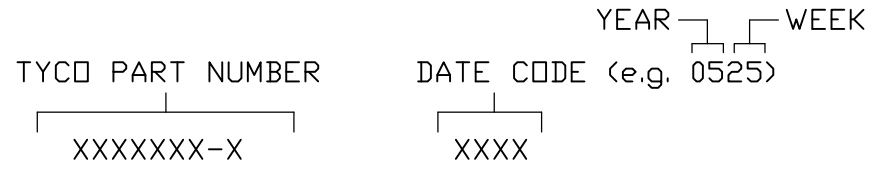
LOC	DIST	REVISIONS					
GP	00	P	LTR	DESCRIPTION	DATE	DWN	APVD
			A	RELEASED	28NOV06	RG	SF

- PART NUMBER CHANGES AND OR DESIGN CHANGES AFFECTING ITEM INTERCHANGEABILITY REQUIRE PRIOR ELCON APPROVAL AND AUTHORIZATION BY REVISION TO THIS DRAWING.
- MATERIALS:
 INSULATORS: THERMOPLASTIC, GLASS REINFORCED, COLOR-BALCK, UL94V-0 FLAMMABILITY RATED.
 POWER CONTACTS: PHOSPHOR BRONZE ALLOY
 COPPER ALLOY
 SIGNAL CONTACTS: BRASS ALLOY
 CROWN BANDS: BERYLLIUM COPPER ALLOY

- FINISHES:
 CONTACTS: GOLD PLATE, .000030" MIN THICK.
 OVER NICKEL PLATE, .000050" MIN THICK.
 TERMINALS: TIN/LEAD (90/10) PLATE, .000100" MIN THICK.
 OVER NICKEL PLATE, .000050" MIN THICK.

4 MOUNTING FLANGES ACCEPT M3 OR #4-40 SCREWS (USER SUPPLIED).


- ITEMS PROVIDED TO THIS SPECIFICATION TO BE PERMANENTLY IDENTIFIED PER THE FOLLOWING IDENTIFIER:



6. MALE POWER PINS ARE I PIECE DESIGN.

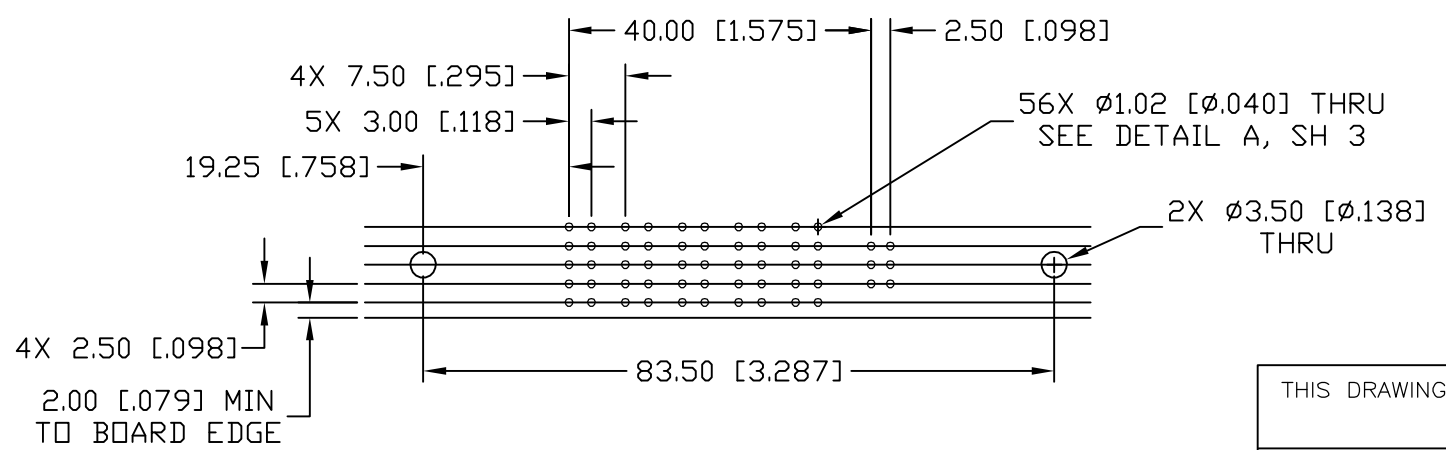
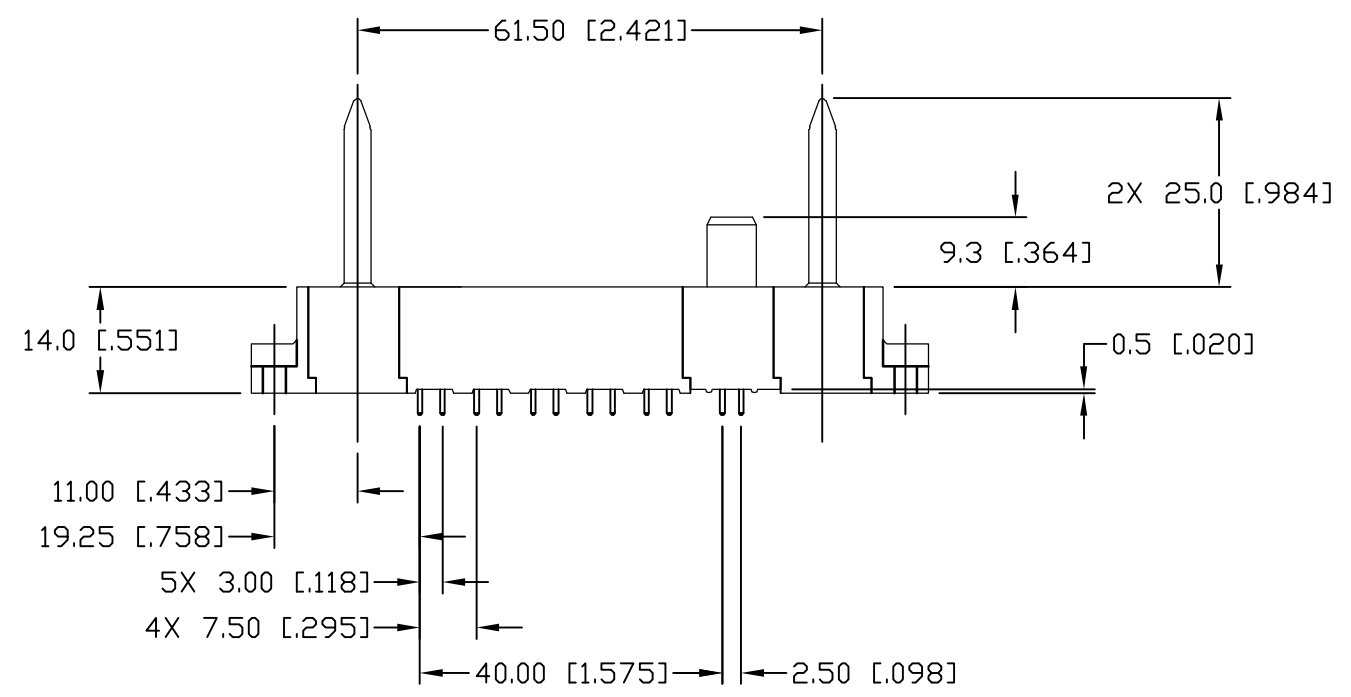
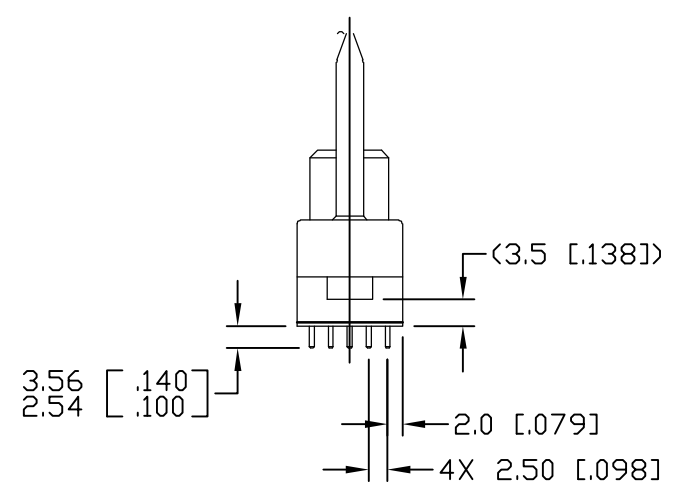
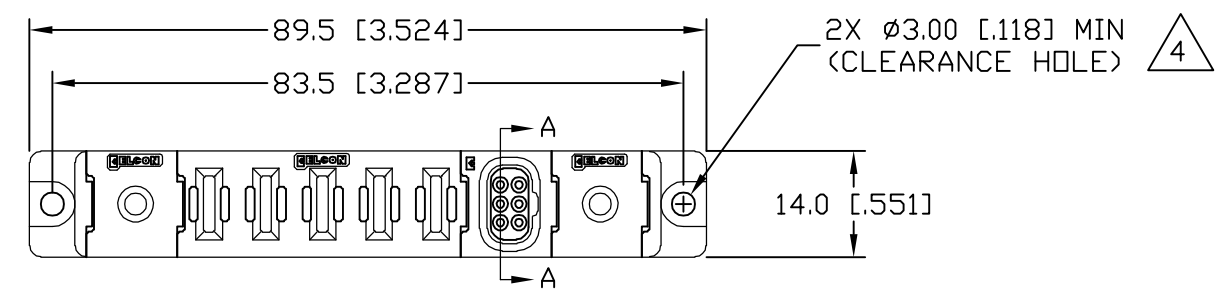
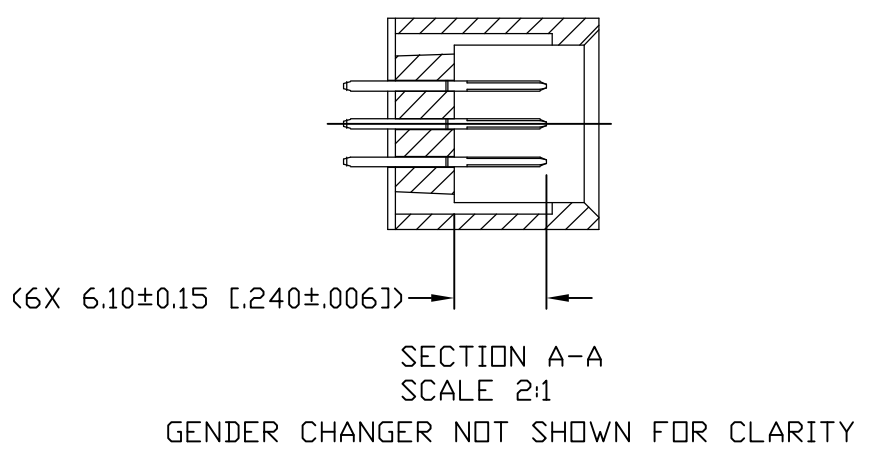
CONNECTOR	CATALOG MODULE #	QTY	SIZE NO.	CONTACT QTY	MATING PIN	MAX CURRENT (PER CONTACT)	CONTACT SPACING	VOLTAGE RATING*
SOCKET	FP1100	5	8	5	1.25 X 7.00 [.049 X .276]	35 AMPERES	7.50 [.2953]	250 VOLTS
	FP1313	1	22	6	0.64 [.025] SQ	3 AMPERES	2.50 [.0984]	125 VOLTS
	FP0503	2	STRAIGHT GUIDE PIN					
	FP0500	1	LEFT MOUNTING FLANGE					
	FP0501	1	RIGHT MOUNTING FLANGE					

AS SHOWN	676605-1
DESCRIPTION	PART NUMBER

THIS DRAWING IS A CONTROLLED DOCUMENT.		DWN R.GRZYBOWSKI 28NOV06	 Tyco Electronics Corporation Harrisburg, PA 17105-3608	
DIMENSIONS: mm		CHK S.FLICKINGER 28NOV06		
TOLERANCES UNLESS OTHERWISE SPECIFIED:		APVD S.FLICKINGER 28NOV06	NAME	
0 PLC ± - 1 PLC ± .5 [.020] 2 PLC ± .25 [.010] 3 PLC ± - 4 PLC ± - ANGLES ± .5		PRODUCT SPEC	CONNECTOR, SOCKET STRAIGHT, SOLDER, SHORT TAIL FLATPAQ	
MATERIAL		APPLICATION SPEC	SIZE	CAGE CODE
FINISH		WEIGHT	A3	00779
		CUSTOMER DRAWING	DRAWING NO	RESTRICTED TO
			C-6766605	
		SCALE 1:1	SHEET 1 OF 3	REV A

THIS DRAWING IS UNPUBLISHED. RELEASED FOR PUBLICATION
 © COPYRIGHT BY TYCO ELECTRONICS CORPORATION. ALL RIGHTS RESERVED.

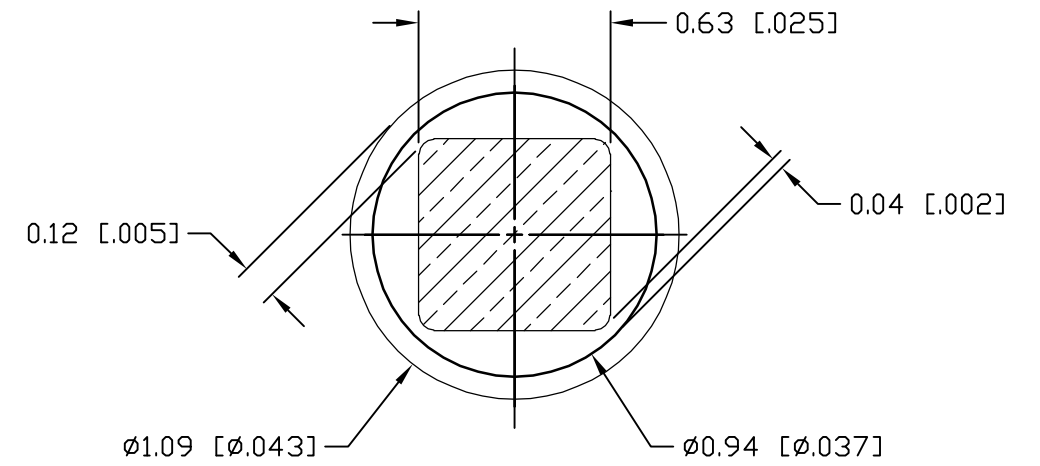
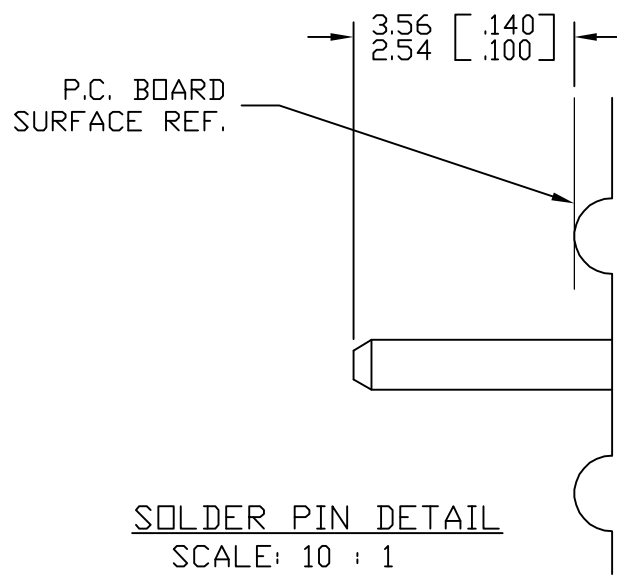
LOC	DIST	REVISIONS					
GP	00	P	LTR	DESCRIPTION	DATE	DWN	APVD
		-	-	SEE SHEET 1	-	-	-



THIS DRAWING IS A CONTROLLED DOCUMENT.		DWN R.GRZYBOWSKI 28NOV06	Tyco Electronics Corporation Harrisburg, PA 17105-3608	
DIMENSIONS: mm		CHK S.FLICKINGER 28NOV06		
TOLERANCES UNLESS OTHERWISE SPECIFIED:		APVD S.FLICKINGER 28NOV06	NAME	
0 PLC ± -		PRODUCT SPEC	CONNECTOR, SOCKET	
1 PLC ± .5 [.020]		APPLICATION SPEC	STRAIGHT, SOLDER, SHORT TAIL	
2 PLC ± .25 [.010]		WEIGHT -	SIZE A3	CAGE CODE 00779
3 PLC ± -		MATERIAL -	DRAWING NO	RESTRICTED TO
4 PLC ± -			C-6766605	-
ANGLES ± .5		CUSTOMER DRAWING		SCALE 1:1
FINISH -		SHEET 2 OF 3		REV A

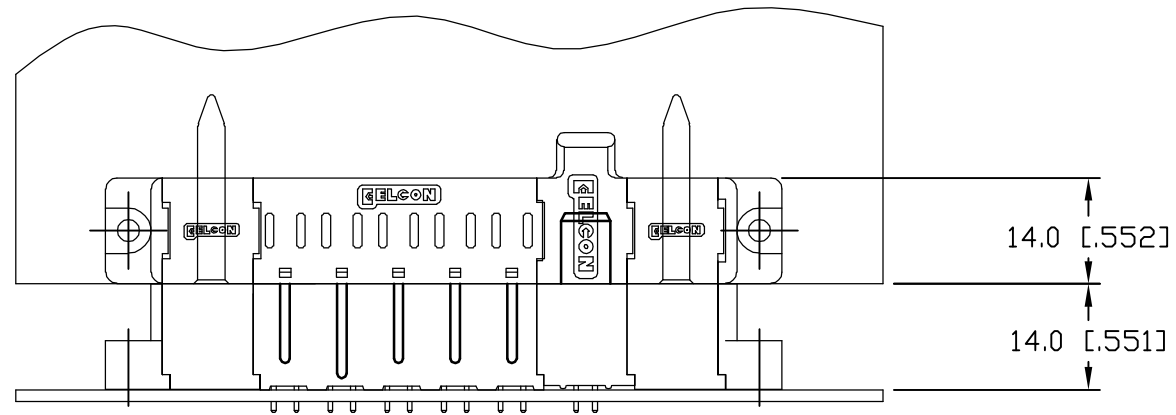
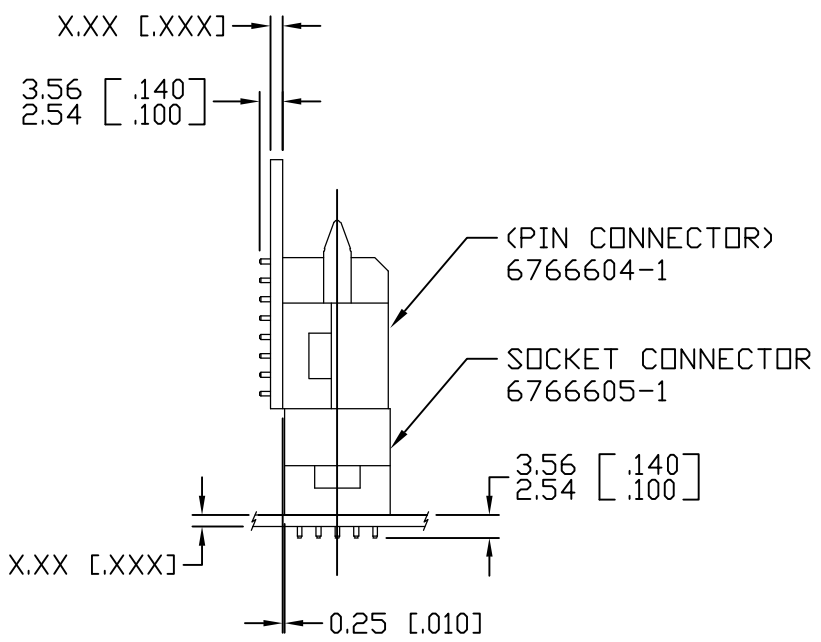
THIS DRAWING IS UNPUBLISHED. RELEASED FOR PUBLICATION
 © COPYRIGHT - BY TYCO ELECTRONICS CORPORATION. ALL RIGHTS RESERVED.

LOC	DIST	REVISIONS					
GP	00	P	LTR	DESCRIPTION	DATE	DWN	APVD
		-		SEE SHEET 1	-	-	-



SOLDER TERMINATION AREA
 SCALE: 40 : 1
 RECOMMENDED PRINTED CIRCUIT HOLE
 FINISHED HOLE: ø1.02 [.040] ± 0.08 [.003]
 DRILLED HOLE: ø1.15 [.0453] ± 0.013 [.0005]
 COPPER PLATE: 0.025 [.0010] MINIMUM (PER SURFACE)
 TIN PLATE: 0.008 [.0003] MINIMUM (PER SURFACE)

DETAIL A



MATED CONDITION

THIS DRAWING IS A CONTROLLED DOCUMENT.		DWN R.GRZYBOWSKI 28NOV06	Tyco Electronics Corporation Harrisburg, PA 17105-3608			
DIMENSIONS: mm		CHK S.FLICKINGER 28NOV06				
TOLERANCES UNLESS OTHERWISE SPECIFIED:		APVD S.FLICKINGER 28NOV06	NAME			
0 PLC ± - 1 PLC ± .5 [.020] 2 PLC ± .25 [.010] 3 PLC ± - 4 PLC ± - ANGLES ± .5		PRODUCT SPEC	CONNECTOR, SOCKET STRAIGHT, SOLDER, SHORT TAIL FLATPAQ			
MATERIAL		APPLICATION SPEC	SIZE	CAGE CODE	DRAWING NO	RESTRICTED TO
-		WEIGHT	A3	00779	C-6766605	-
CUSTOMER DRAWING			SCALE	SHEET	REV	
			1:1	3 OF 3	A	

X-ON Electronics

Largest Supplier of Electrical and Electronic Components

Click to view similar products for [Power to the Board](#) category:

Click to view products by [TE Connectivity](#) manufacturer:

Other Similar products are found below :

[10131318-08512GRLF](#) [6450171-4](#) [6450552-7](#) [6600323-8](#) [6643429-1](#) [6646040-2](#) [6651939-1](#) [6766604-1](#) [120959-1](#) [1393557-2](#) [1393532-2](#)
[1393532-3](#) [1393532-4](#) [1393557-1](#) [1600812-5](#) [1-6450861-2](#) [1645595-1](#) [1743490-1](#) [1744132-7](#) [1761122-1](#) [1766169-1](#) [1766250-1](#) [18362](#)
[1892109-1](#) [1-967627-6](#) [2226808-1](#) [2-6450860-5](#) [2-6450860-6](#) [2-6450870-0](#) [93003-0502](#) [953552-1](#) [1-6450161-4](#) [1-6450850-6](#) [1645526-2](#) [1-](#)
[6600130-0](#) [1743419-1](#) [1766150-1](#) [2005243-2](#) [211110-1](#) [2-6600130-2](#) [TE34-12-16P-F0](#) [51700-10201602AALF](#) [5-6450830-6](#) [5646956-4](#)
[36662-0005](#) [40585-3000](#) [4-6450830-9](#) [4-6600333-3](#) [51142-0214](#) [10125416-4050LF](#)