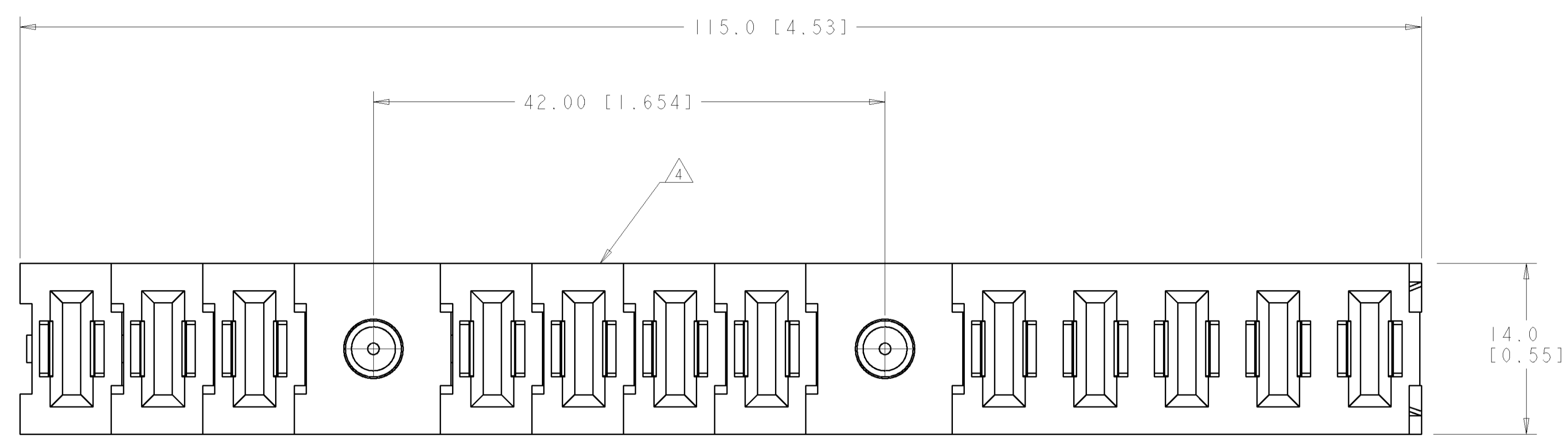


| LOC | DIST | REVISIONS   |          |     |      |
|-----|------|-------------|----------|-----|------|
| P   | LTR  | DESCRIPTION | DATE     | DWN | APVD |
| A   |      | RELEASED    | 28SEP106 | RG  | DO   |
|     |      |             |          |     |      |
|     |      |             |          |     |      |



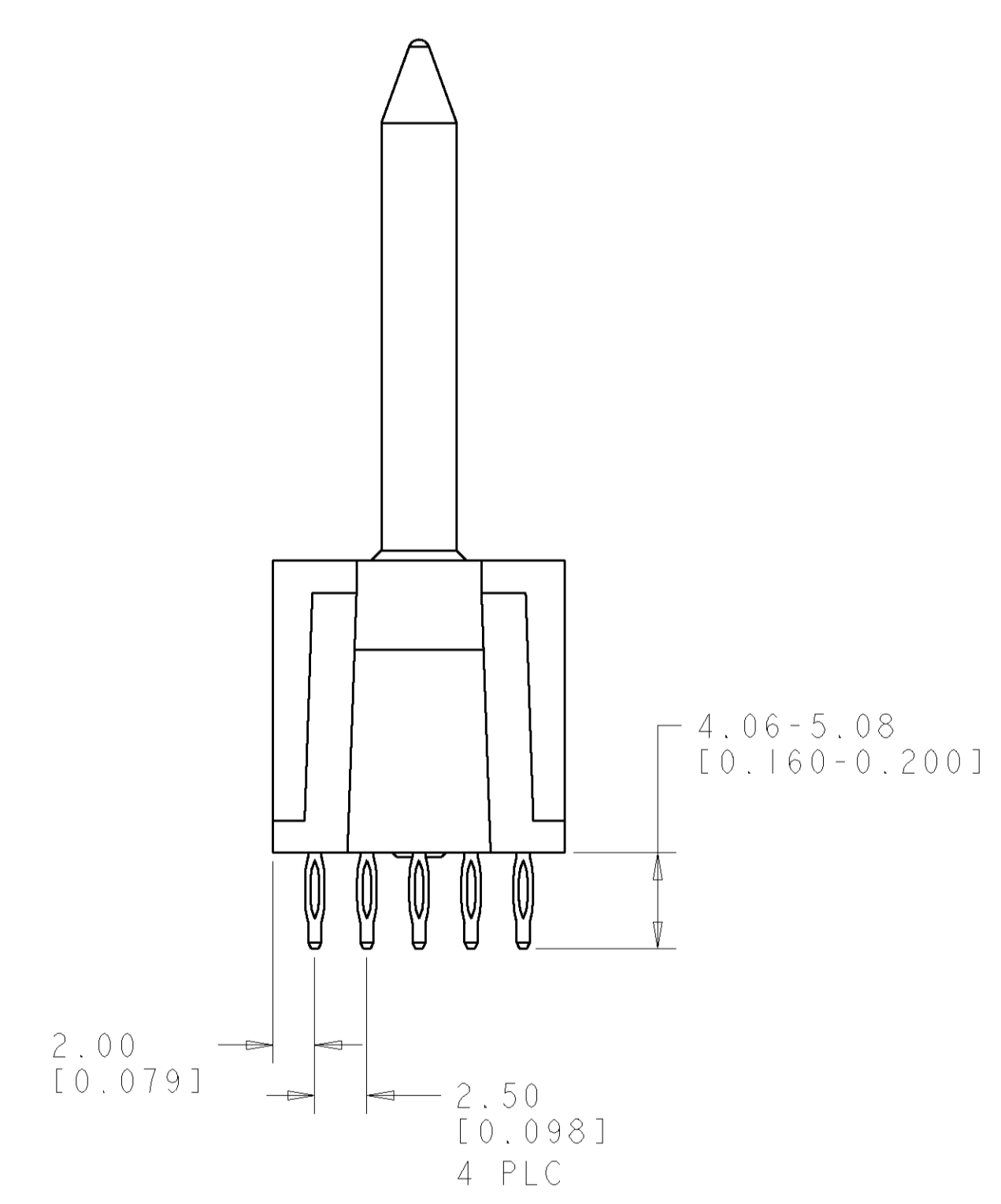
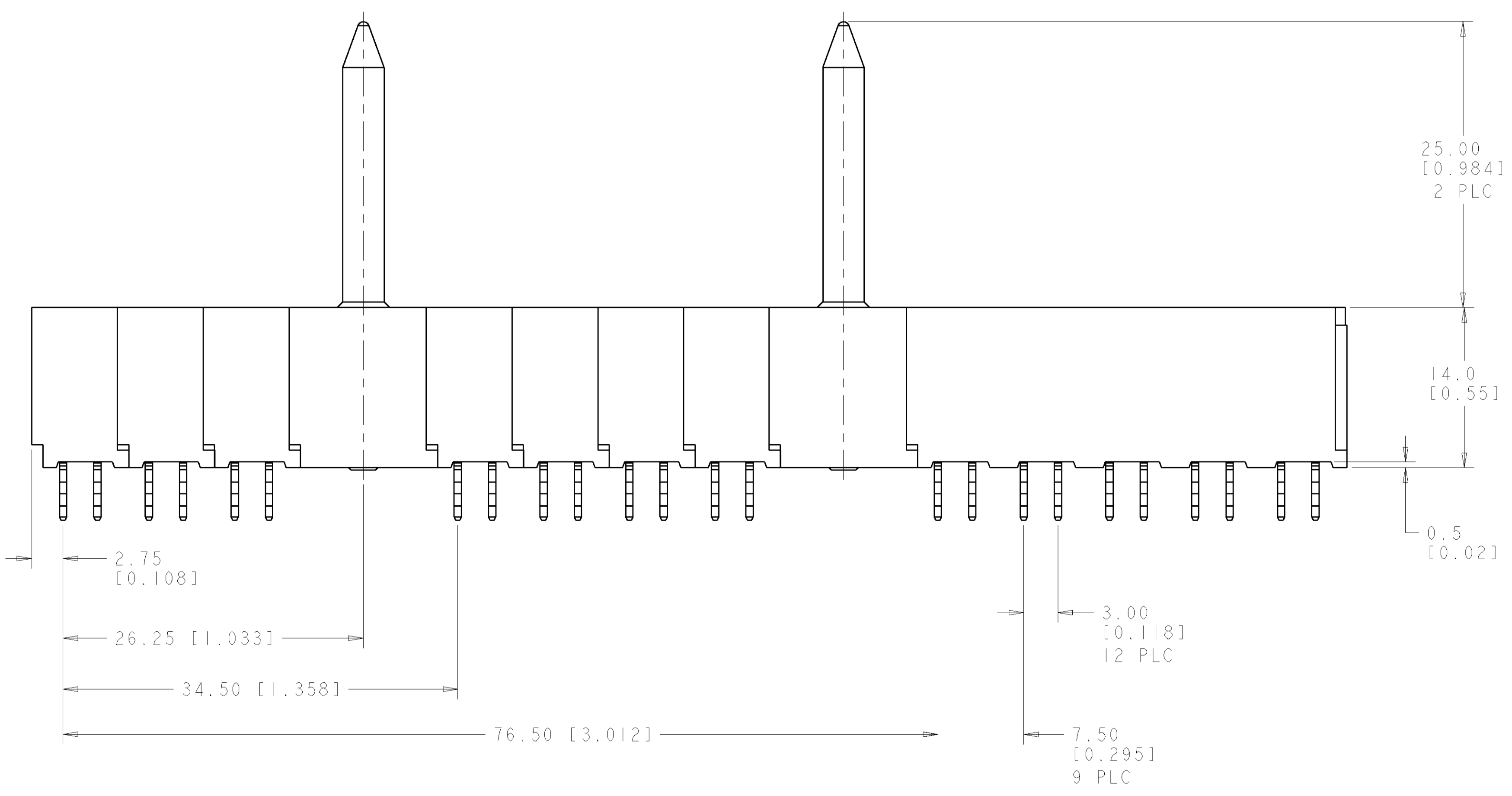
1. PART NUMBER CHANGES AND OR DESIGN CHANGES AFFECTING ITEM INTERCHANGEABILITY REQUIRE PRIOR TYCO APPROVAL AND AUTHORIZATION BY REVISION TO THIS DRAWING.

△ MATERIAL:  
 INSULATORS - THERMOPLASTIC, GLASS REINFORCED, COLOR: BLACK  
 UL94V-0 FLAMMABILITY RATED.  
 POWER CONTACTS: PHOSPHOR BRONZE ALLOY,  
 COPPER ALLOY  
 CROWN BANDS - BERYLLIUM COPPER ALLOY  
 GUIDE PIN - BRASS ALLOY

△ FINISH:  
 CONTACTS - GOLD PLATE .000030" MIN. THK.,  
 OVER NICKEL .000050" MIN. THK.  
 COMPLIANT TAIL, TIN .000040" MIN THK. OVER  
 NICKEL .000050" MIN THK.  
 GUIDE PIN - NICKEL .000050" MIN THK.

△ ITEMS PROVIDED TO THIS SPECIFICATION TO BE PERMANENTLY IDENTIFIED PER THE FOLLOWING IDENTIFIER LABEL

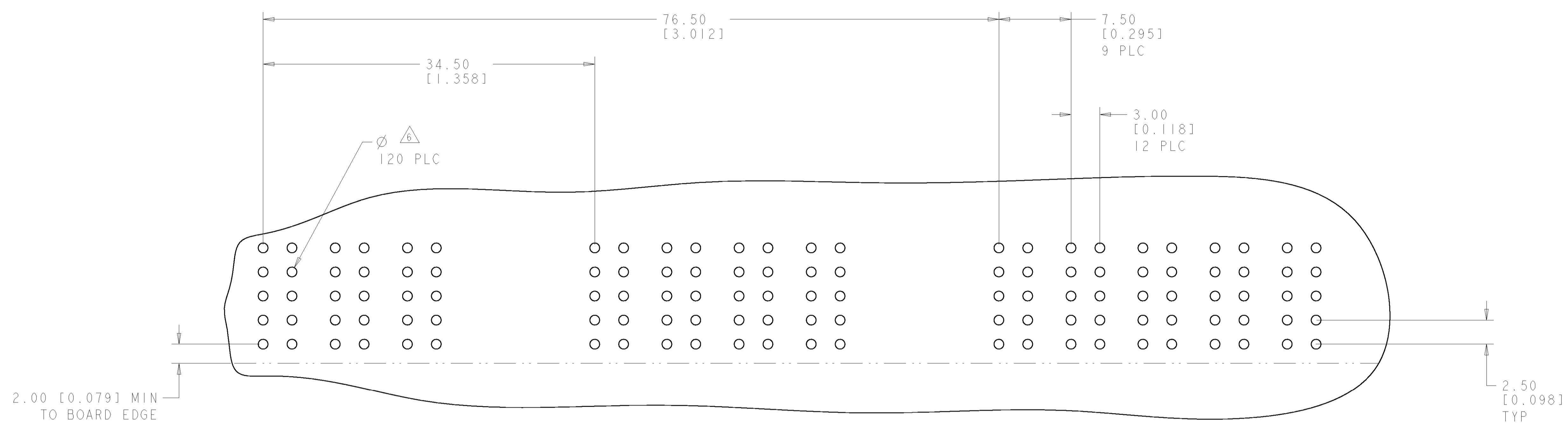
TYCO PART NO.      YEAR      WEEK  
 XXXXXXXX-X      XXXX      (e.g. 0106)



ELCON FLATPAQ

|   |  |   |  |
|---|--|---|--|
| AS SHOWN  |  | 6766638-1   |  |
| DESCRIPTION   |  | PART NUMBER   |  |
| DIMENSIONS: mm [INCHES]<br>TOLERANCES UNLESS OTHERWISE SPECIFIED:<br>0 PLC ±.5<br>1 PLC ±.5<br>2 PLC ±.25<br>3 PLC ±.5<br>4 PLC ±.5<br>ANGLES ±.5 |  | DWN: R. GRZYBOWSKI 28SEP106<br>CHK: P. DAMATO 28SEP106<br>APVD: S. FLICKINGER 28SEP106<br>PRODUCT SPEC: -<br>APPLICATION SPEC: -<br>WEIGHT: -<br>MATERIAL: -<br>FINISH: -<br>CUSTOMER DRAWING |  |
| Tyco Electronics<br>Harrisburg, PA 17105-3608   |  | NAME: CONNECTOR ASSEMBLY, SOCKET STRAIGHT, COMPLIANT TAILS FLATPAQ, PN: 278-1177-10200A<br>SIZE: A   00779   C=6766638<br>SCALE: 4:1 SHEET 1 OF 3 REV A                                       |  |

| LOC |     | DIST        |      | REVISIONS |      |  |  |
|-----|-----|-------------|------|-----------|------|--|--|
| P   | LTR | DESCRIPTION | DATE | DNW       | APVD |  |  |
| -   | -   | SEE SHEET 1 | -    | -         | -    |  |  |

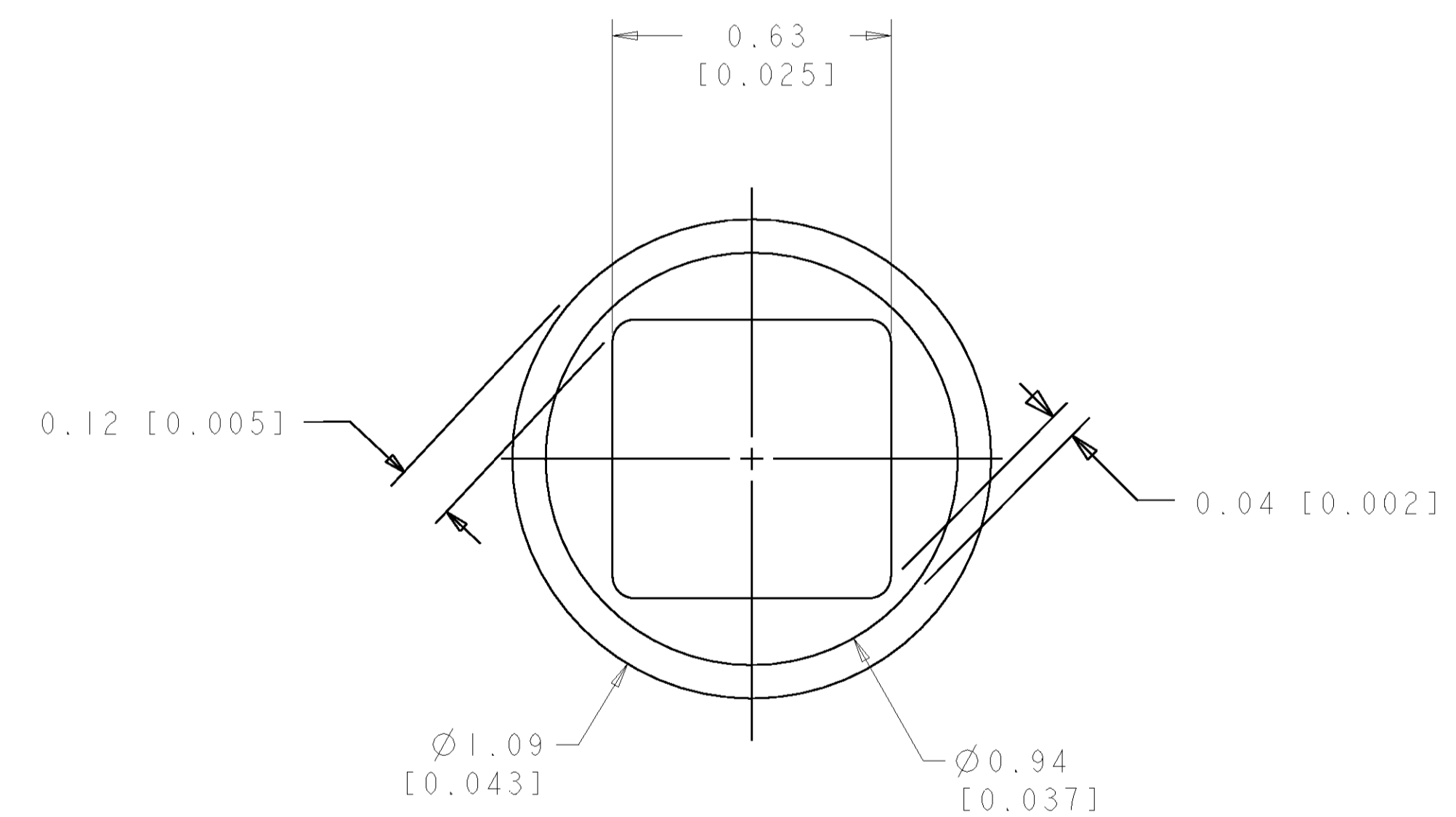
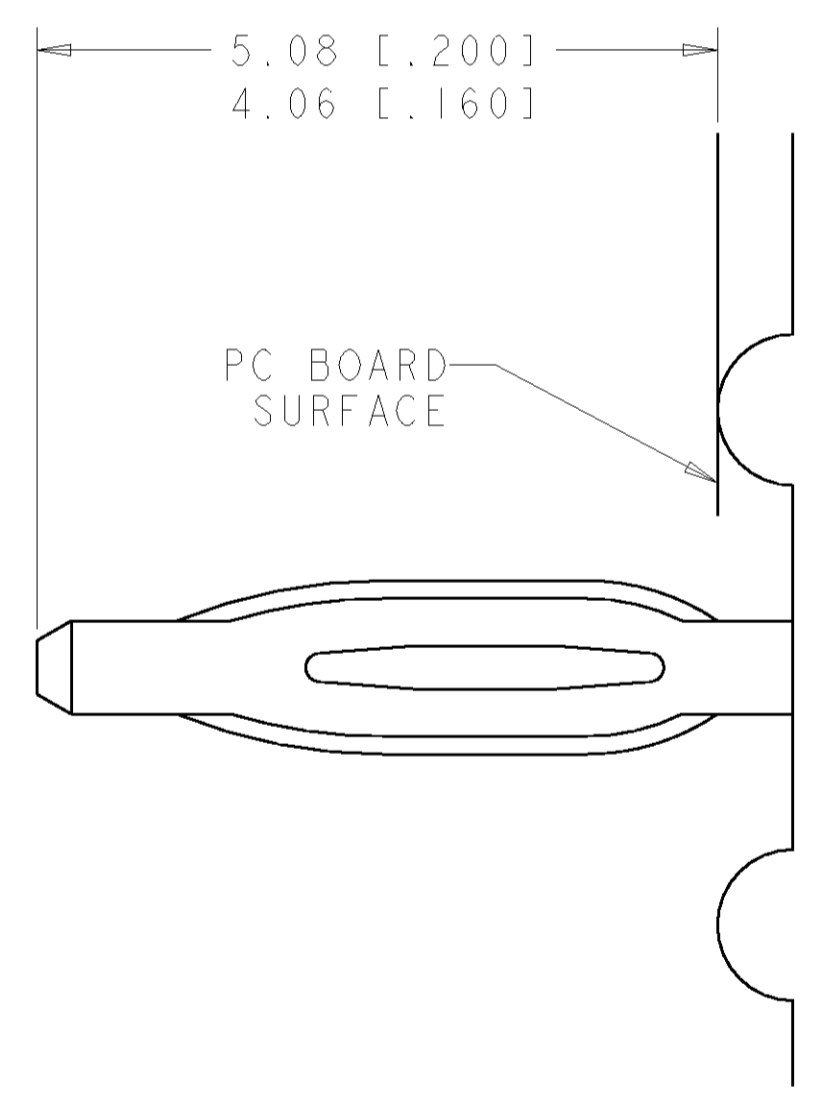


PRINTED CIRCUIT LAYOUT  
 COMPONENT SIDE  
 SCALE 4:1

| CONNECTOR | CATALOG MODULE # | QTY | SIZE NO.           | CONTACT QTY | MAX. CURRENT (PER CONTACT) | CONTACT SPACING | VOLTAGE RATING |  |
|-----------|------------------|-----|--------------------|-------------|----------------------------|-----------------|----------------|--|
| SOCKET    | FP200            | 12  | 8                  | 12          | 35 amps                    | 7.50 [0.2953]   | 250            |  |
|           | FP503            | 2   | STRAIGHT GUIDE PIN |             |                            |                 |                |  |

|   |  |  |  |   |  |
|---|--|--|--|---|--|
| DIMENSIONS: mm [INCHES]<br>TOLERANCES UNLESS OTHERWISE SPECIFIED:<br>0 PLC ±.5<br>1 PLC ±.5<br>2 PLC ±.25<br>3 PLC ±.5<br>4 PLC ±.5<br>ANGLES ±.5<br>MATERIAL -<br>FINISH - |  | DWN: B. GRZYBOWSKI 28SEPT06<br>CHK: P. DAMATO 28SEPT06<br>APVD: S. FLICKINGER 28SEPT06<br>PRODUCT SPEC -<br>APPLICATION SPEC -<br>WEIGHT -<br>CUSTOMER DRAWING |  | NAME: CONNECTOR ASSEMBLY, SOCKET STRAIGHT, COMPLIANT TAILS FLATPAQ, PN: 278-1177-10200A<br>SIZE: A   00779   C=6766638<br>SCALE: 4:1 SHEET 2 OF 3 REV A |  |
|---|--|--|--|---|--|

| LOC | DIST | REVISIONS |     |             |      |     |      |
|-----|------|-----------|-----|-------------|------|-----|------|
|     |      | P         | LTR | DESCRIPTION | DATE | DWN | APVD |
| GP  | 00   | -         | -   | SEE SHEET 1 | -    | -   | -    |
|     |      |           |     |             |      |     |      |
|     |      |           |     |             |      |     |      |



5. COMPLIANT PIN DETAIL  
 SCALE 10:1  
 INSERTION/EXTRACTION FORCES  
 MAXIMUM PUSH IN: 133.3N PER PIN [30 LBS]  
 MINIMUM PUSH OUT: 44.4N PER PIN [10 LBS]

⚠ SOLDER TERMINATION AREA  
 SCALE 40:1  
 RECOMMENDED PRINTED CIRCUIT HOLE  
 COMPLIANT PRESS FIT  
 DRILLED HOLE: Ø1.15 [.0453]±.013 [.0005]  
 COPPER PLATE .025 [.0010] MIN  
 TIN PLATE: .008 [.0003] MIN. (PER SURFACE)

|  |   |  |   |
|--|---|--|---|
| <small>THIS DRAWING IS UNPUBLISHED. RELEASED FOR PUBLICATION. ALL RIGHTS RESERVED. THIS DRAWING IS THE PROPERTY OF TYCO ELECTRONICS CORPORATION. IT IS TO BE USED ONLY FOR THE PURPOSES AND APPLICATIONS SPECIFIED HEREIN. ANY OTHER USE IS STRICTLY PROHIBITED. TYCO ELECTRONICS CORPORATION IS NOT RESPONSIBLE FOR ANY DAMAGE TO PROPERTY OR PERSONS ARISING FROM THE USE OF THIS DRAWING.</small> |   | DWN<br>B. GRZYBOWSKI 28SEPT06<br>CHK<br>P. DAMATO 28SEPT06<br>APVD<br>S. FLICKINGER 28SEPT06 | <b>tyco</b><br>Electronics<br>Tyco Electronics<br>Harrisburg, PA 17105-3608   |
| DIMENSIONS:<br>mm [INCHES]   | TOLERANCES UNLESS OTHERWISE SPECIFIED:<br>0 PLC ±.<br>1 PLC ±.5<br>2 PLC ±.25<br>3 PLC ±.<br>4 PLC ±.<br>ANGLES ±.5<br>FINISH | NAME<br>S. FLICKINGER<br>PRODUCT SPEC<br>APPLICATION SPEC<br>WEIGHT<br>CUSTOMER DRAWING      | CONNECTOR ASSEMBLY, SOCKET<br>STRAIGHT, COMPLIANT TAILS<br>FLATPAQ, PN: 278-1177-10200A<br>SIZE CAGE CODE DRAWING NO RESTRICTED TO<br>A 00779 C=6766638<br>SCALE 4:1 SHEET 3 OF 3 REV A |

## X-ON Electronics

Largest Supplier of Electrical and Electronic Components

*Click to view similar products for [Heavy Duty Power Connectors](#) category:*

*Click to view products by [TE Connectivity](#) manufacturer:*

Other Similar products are found below :

[647757-1](#) [6643411-1](#) [6646058-2](#) [6646137-1](#) [6646138-1](#) [6646479-1](#) [6646608-1](#) [6646786-1](#) [6646940-1](#) [6651091-1](#) [6651525-1](#) [6651529-1](#)  
[6651788-1](#) [696475-1](#) [702-32-01109](#) [703-25-02205](#) [73000005059](#) [73000005642](#) [73080255059](#) [73080965046](#) [765-15-0080A](#) [765-16-0080B](#)  
[765-18-0080D](#) [829992-1](#) [902-77-02113](#) [PS00/A0620/6300](#) [PS25/A0420/63](#) [129-1J](#) [1409400](#) [AN0024023](#) [E6374G1](#) [e6389g2](#) [157-43GW8](#)  
[MS3117-14AC](#) [1643543-1](#) [1650540-1](#) [1651811-2](#) [1766260-1](#) [1766282-1](#) [1766966-1](#) [1791340000](#) [NLDFT-3-BL-L-S120-M40A](#) [NLDFT-N-](#)  
[W-L-C240-M40B](#) [NLS-2-R-C240-M40B](#) [NLS-N-W-C240-M40B](#) [NPS-3-BL-T6](#) [1986615-1](#) [2-1589900-8](#) [2199314-1](#) [KA8102](#)