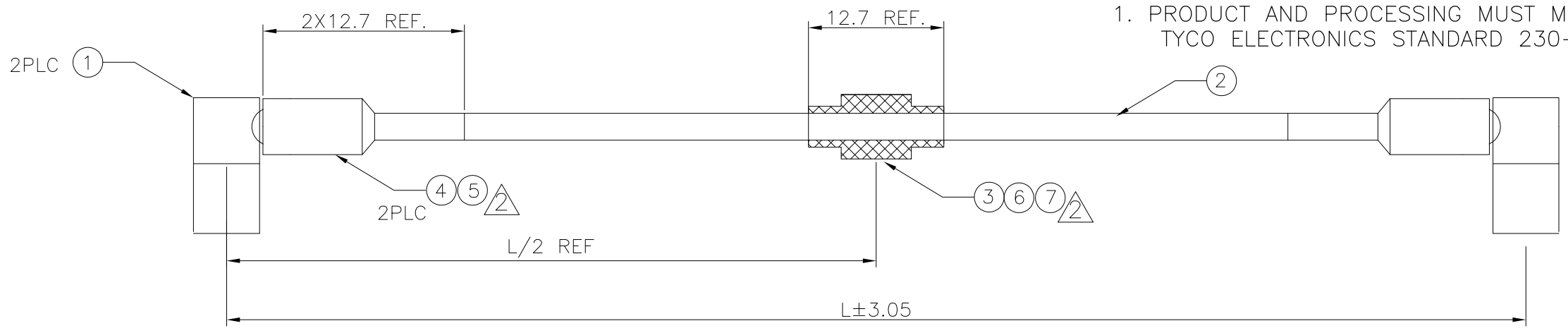


THIS DRAWING IS UNPUBLISHED. RELEASED FOR PUBLICATION --,14AUG07  
 © COPYRIGHT - BY TYCO ELECTRONICS CORPORATION. ALL RIGHTS RESERVED.

LOC	DIST	REVISIONS					
GP	00	P	LTR	DESCRIPTION	DATE	DWN	APVD
			A	NEW RELEASE	14AUG07	WJQ	LZ
			B	ADD -8 & -9	12MAR09	MK	GG
			C	ADD RED DUAL WALL HST, CHANGE LR REQUIREMENTS FOR -007&-009, ADD NEW PN -011.	03APR09	MK	GG



1. PRODUCT AND PROCESSING MUST MEET REQUIREMENTS OF TYCO ELECTRONICS STANDARD 230-702.

TABLE II: "L" TABULATION

MOTOROLA P/N	TE P/N	"L" DIM	HST
535301-001	6772459-1	88.9	BLACK
535301-002	6772459-2	101.6	BLACK
535301-003	6772459-3	127.0	BLACK
535301-004	6772459-4	88.9	RED
535301-005	6772459-5	101.6	RED
535301-006	6772459-6	127.0	RED
535301-007	6772459-7	228.6	RED
535301-008	6772459-8	457.2	RED
535301-009	6772459-9	228.6	BLACK
535301-011	1-6772459-1	279.4	RED

TABLE I: ELECTRICAL REQUIREMENTS

PARAMETER	SPECIFICATION	COMMENTS
BANDWIDTH	5MHz~1003MHz	-
FLATNESS	±0.2dB MAX	MEASURED RELATIVE TO SLOPE ACROSS BANDWIDTH
INSERTION LOSS	0.7dB MAX.	MEASURED OVER ENTIRE BANDWIDTH
RETURE LOSS	27 dB MIN. 28 dB MIN. FOR -007&-009	MEASURED OVER ENTIRE BANDWIDTH

										CUSTOMER		MOTOROLA	
										MOTOROLA DWG REV		D	
--	--	--	--	--	--	--	--	--	--	A/R	SOLDER		7
--	0.016	--	--	--	--	--	0.016	0.016	0.016	MR	HST BLK DUEL WALL		6
0.016	--	0.016	0.016	0.016	0.016	0.016	--	--	--	MR	HST RED DUEL WALL		6
--	0.025	--	--	--	--	--	0.025	0.025	0.025	MR	HST, 5.0mm OD BLACK		5
0.025	--	0.025	0.025	0.025	0.025	0.025	--	--	--	MR	HST, 5.0mm OD RED		4
1	1	1	1	1	1	1	1	1	1	PC	FERRITE CORE		3
0.280	0.230	0.459	0.230	0.129	0.103	0.090	0.129	0.103	0.090	MR	COAXIAL CABLE RG179DS		2
2	2	2	2	2	2	2	2	2	2	PC	SMB R/A PLUG		1
1-1	-9	-8	-7	-6	-5	-4	-3	-2	-1	U/M	DESCRIPTION		ITEM

- NOTES:  
 1. ELECTRICAL PARAMETERS: SEE TABLE I.  
 HEAT SHRINK TUBING COLOR PER TABLE II  
 3. 100% TEST CONTINUITY, OPEN & SHORTS

THIS DRAWING IS A CONTROLLED DOCUMENT.

DWN Mac King 12MAR09	Tyco Electronics Corporation Harrisburg, PA 17105-3608
CHK Lessie Zhang 12MAR09	
APVD Glen Gutgold 12MAR09	
NAME	
PRODUCT SPEC	ASSEMBLY, RF CABLE, SG4000, ROHS
APPLICATION SPEC	
WEIGHT	SIZE CAGE CODE DRAWING NO RESTRICTED TO
	A3 00779 C-6772459
CUSTOMER DRAWING	SCALE N.T.S. SHEET 1 OF 1 REV C

## X-ON Electronics

Largest Supplier of Electrical and Electronic Components

*Click to view similar products for [TE Connectivity](#) manufacturer:*

Other Similar products are found below :

[017667013](#) [DMC-MD 26 B](#) [DTS24Z21-39HN](#) [DTS24Z21-41HN](#) [DTS26W21-41HC-LC](#) [DTS26W21-41AC](#) [DTS26F21-41HC-LC](#)  
[DTS26F21-41HC](#) [DTS26F21-41AC](#) [DTS26F21-39HC](#) [DTS26W21-41PC-LC](#) [DTS26W21-39HC](#) [DTS26F21-41PC-LC](#) [1-6474569-1](#)  
[BACC63CM2842PNA](#) [569875-2](#) [1546693-1](#) [6EL1SCM](#) [KUP93-14A13-120](#) [1599027-1](#) [2052-1618-02](#) [4000-04AW18K999](#) [2041021-4](#) [006-](#)  
[0910-20](#) [A499](#) [SCC](#) [3-1571586-0](#) [CB10LH103M](#) [CB10LV474M](#) [8-917542-2](#) [894645-000](#) [PCH-124D2MH,000](#) [568176-6](#) [5-690482-4](#)  
[570831-000](#) [5745438-3](#) [5745652-2](#) [CRB-48-70180](#) [5767006-7](#) [58061-1](#) [58082-1](#) [58113-5](#) [58284-1](#) [582843-6](#) [58380-2](#) [58425-3](#) [585435-000](#)  
[58552-1](#) [592588-5](#) [013750-000](#) [0-1393092-2](#) [5J0-1000LG-SIL](#)