

68011-1 ✓ ACTIVE

AMP

TE Internal #: 68011-1

Portable Crimp Tools, Premium Crimp Tooling, Removable /Interchangeable, TE Product Specification (114-) / MIL Spec, Manual / Battery / Hydraulic

[View on TE.com >](#)



Application Tooling > Portable Crimp Tools



Tool Grade: **Premium Crimp Tooling**

Die Sets Type: **Removable/Interchangeable**

Specification Type: **MIL Spec, TE Product Specification (114-)**

TE Certification: **Yes – Certificate Included**

Power Technology Type: **Battery, Hydraulic, Manual**

Features

Other

Crimp Form-Wire Barrel Type	Closed Barrel - Other
Tool Grade	Premium Crimp Tooling
Die Sets Type	Removable/Interchangeable
Specification Type	MIL Spec, TE Product Specification (114-)
TE Certification	Yes – Certificate Included
Power Technology Type	Battery, Hydraulic, Manual
Tooling Type	Die Assembly

Product Compliance

[For compliance documentation, visit the product page on TE.com>](#)

EU RoHS Directive 2011/65/EU	Compliant
EU ELV Directive 2000/53/EC	Out of Scope
China RoHS 2 Directive MIIT Order No 32, 2016	No Restricted Materials Above Threshold
EU REACH Regulation (EC) No. 1907/2006	Current ECHA Candidate List: JAN 2021 (211) Candidate List Declared Against: JUN 2018 (191) SVHC > Threshold: Not Yet Reviewed
Halogen Content	Low Halogen - Br, Cl, F, I < 900 ppm per



homogenous material. Also BFR/CFR/PVC Free

Solder Process Capability

Not applicable for solder process capability

Product Compliance Disclaimer

This information is provided based on reasonable inquiry of our suppliers and represents our current actual knowledge based on the information they provided. This information is subject to change. The part numbers that TE has identified as EU RoHS compliant have a maximum concentration of 0.1% by weight in homogenous materials for lead, hexavalent chromium, mercury, PBB, PBDE, DBP, BBP, DEHP, DIBP, and 0.01% for cadmium, or qualify for an exemption to these limits as defined in the Annexes of Directive 2011/65/EU (RoHS2). Finished electrical and electronic equipment products will be CE marked as required by Directive 2011/65/EU. Components may not be CE marked. Additionally, the part numbers that TE has identified as EU ELV compliant have a maximum concentration of 0.1% by weight in homogenous materials for lead, hexavalent chromium, and mercury, and 0.01% for cadmium, or qualify for an exemption to these limits as defined in the Annexes of Directive 2000/53/EC (ELV). Regarding the REACH Regulation, the information TE provides on SVHC in articles for this part number is based on the latest European Chemicals Agency (ECHA) 'Guidance on requirements for substances in articles' posted at this URL: <https://echa.europa.eu/guidance-documents/guidance-on-reach>

Compatible Parts



TE Part # 58422-1
HYP8 8-4/0AWG 33T HEAD



TE Part # 277152-1
TERMINAL,COPALUM R 2/0 1/4



TE Part # 277152-3
TERMINAL,COPALUM R 2/0 5/16



TE Part # 277152-4
TERMINAL,COPALUM R 2/0 3/8



TE Part # 277152-2
TERMINAL,COPALUM R 2/0 3/8



TE Part # 55839-1
COPALUM R 2/0A 1/0C (2)3/8



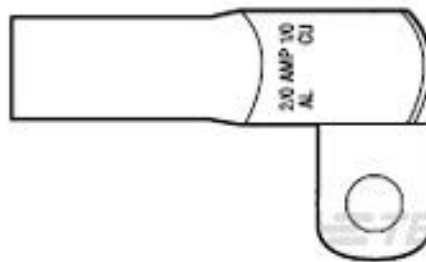
TE Part # 2102580-1
ASSY 1/0 AL COPALUM LITE DUAL HOLE 3/8



TE Part # 2102581-1
ASSY 2/0 AL COPALUM LITE DUAL HOLE 3/8



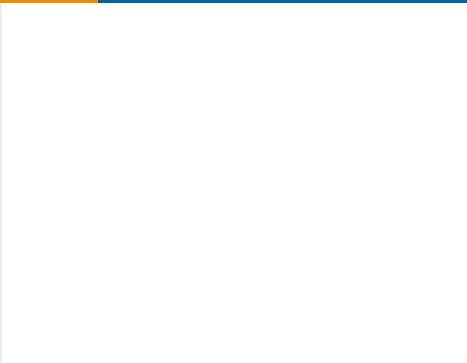
TE Part # 55944-1
TERM,COPALUM NARROW 2/0AL 3/8



TE Part # 55982-1
TERM,COPALUM R 2/0 3/8 90RH



TE Part # 1752787-1
HYP10 8-4/0AWG 33T HEAD



TE Part # 1958038-1
COPALUM R 2/0AL 3/8 90 DEG

TE Part # 2102966-1
ASSY 2/0 AL COPALUM LITE DUAL
HOLE FLAG

TE Part # 696819-1
COPALUM,SLD,R,2/0AL BREAKAWAY
HOLE FLAG

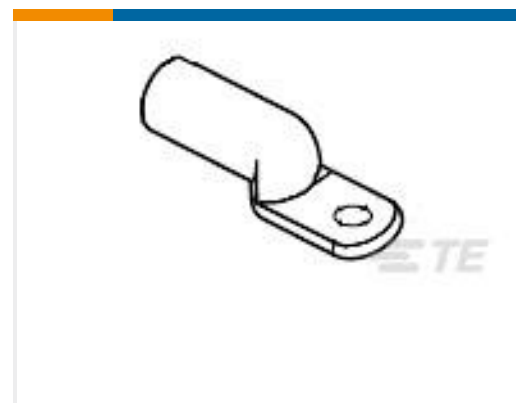
Customers Also Bought



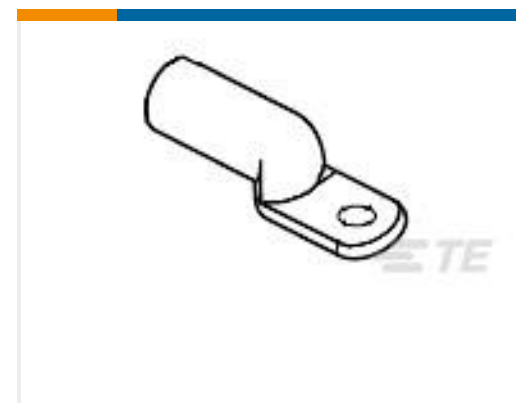
TE Part #329190-000
TTP CONTINUOUS POLYESTER
LABEL DECALS



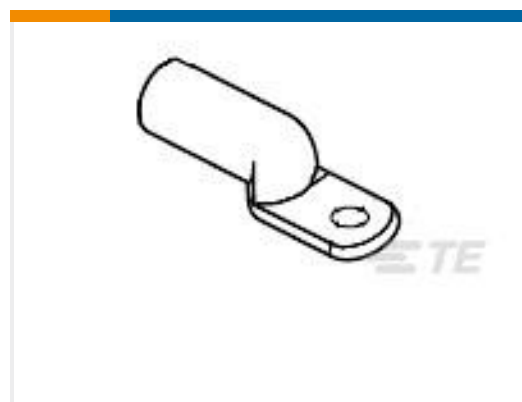
TE Part #185454-1
26W MQS HDR ASSY FOR SMT



TE Part #277152-3
TERMINAL,COPALUM R 2/0 5/16



TE Part #277152-4
TERMINAL,COPALUM R 2/0 3/8



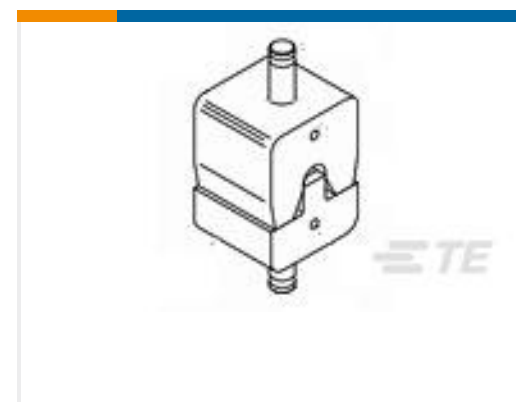
TE Part #277151-7
TERMINAL,COPALUM R 1/0 5/16



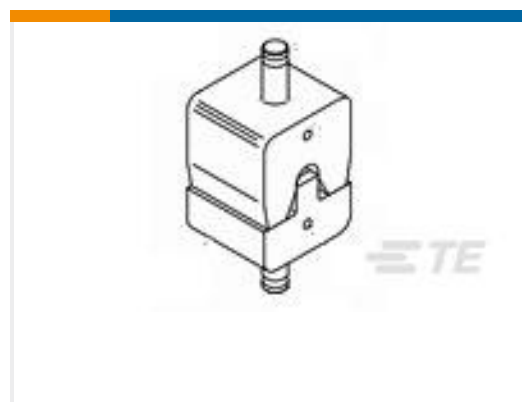
TE Part #EG5766-000
55PC6361-00-9



TE Part #167089-000
55PC0111-22-9CS2502



TE Part #59877-1
HYP8/10 COPALUM SEALED 3/0AWG
DIE SET



TE Part #68007
HYP8/10 COPALUM SEALED 6AWG
DIE SET

Documents

Datasheets & Catalog Pages

[AT-Hydraulic Crimp Tooling Solutions-1654519](#)

English

[Crimp Term Whitepaper-Use the Right Tool 1-1773953-1](#)

English

[CRIMPING WHERE FORM MEETS FUNCTION](#)

English

[Bottoming Dies](#)



English

Instruction Sheets

Instruction Sheet (U.S.)

English

Instruction Sheet (U.S.)

English

Instruction Sheet (U.S.)

English

Instruction Sheet (U.S.)

English

Instruction Sheet (U.S.)

English

Instruction Sheet (U.S.)

English

Instruction Sheet (U.S.)

French

X-ON Electronics

Largest Supplier of Electrical and Electronic Components

Click to view similar products for [Punches & Dies](#) category:

Click to view products by [TE Connectivity](#) manufacturer:

Other Similar products are found below :

[58510-1](#) [63454-1601](#) [63457-0056](#) [63457-3401](#) [12139479](#) [1312G1](#) [1328](#) [13782673](#) [AR-19](#) [1583609-1](#) [1720](#) [1762951-1](#) [2063500-2](#) [19031-0168](#) [CD5-8](#) [R285020212](#) [313336-3](#) [11-17-0086](#) [11-24-1109](#) [11-19-3122](#) [539663-1](#) [63446-2241](#) [TL-18](#) [0634451912](#) [1762674-1](#) [63454-0123](#) [68240-1](#) [68247-1](#) [313183-1](#) [PA2029](#) [119174-001](#) [23846-1](#) [11-40-5342](#) [68010-2](#) [690370015](#) [730BB-1-1/16](#) [19032-0048](#) [63465-0023](#) [11-40-4438](#) [63457-0041](#) [11-11-0054](#) [11-11-0052](#) [19813-5041](#) [19032-0201](#) [19813-5061](#) [19812-2011](#) [63444-1212](#) [11-18-5275](#) [63454-1905](#) [11-18-4796](#)