

**"NOT FOR INTERRUPTING CURRENT"  
"NE PAS EMPLOYER POUR LA RUPTURE DU COURANT"**

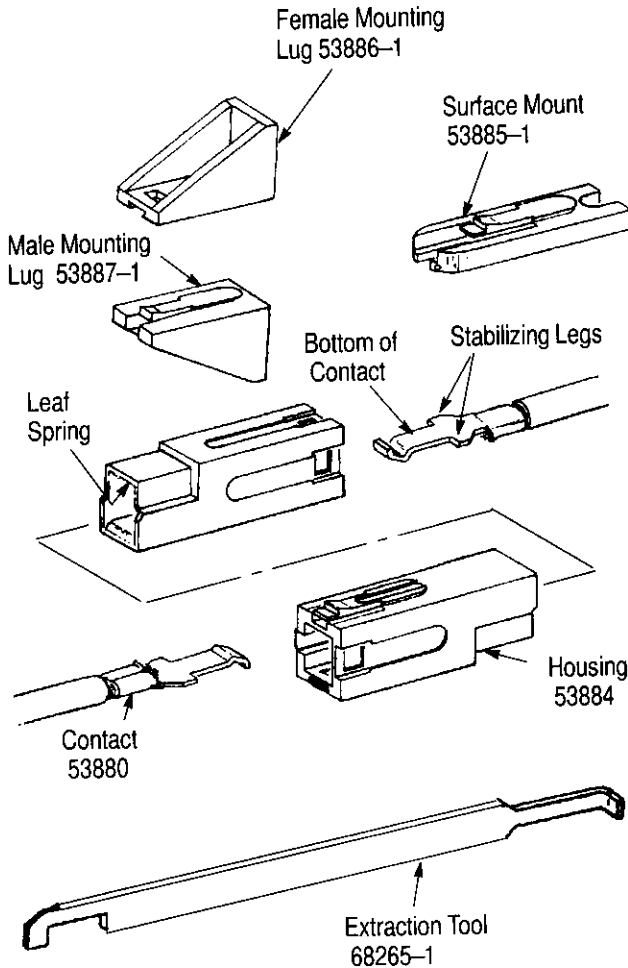


Figure 1

### 1. INTRODUCTION

AMP\* Power Lock connectors provide a choice of circuit configurations from single connectors to multiple (stacked) connectors. The connectors are listed by Underwriters' Laboratories, Inc. (UL) under UL File Number E28476, and certified by Canadian Standards Association (CSA) under CSA File Number LR7189.

**NOTE**

All dimensions are in millimeters [with inch equivalents in brackets]. Illustrations are not drawn to scale.

Reasons for reissue of this sheet are provided in Section 9, REVISION SUMMARY.

### 2. DESCRIPTION

Each connector may be joined (stacked) with other connectors on all four sides. The connectors may be used for free hanging, surface, or panel mount applications. A built-in positive locking feature ensures that the stacked connectors and accessory panel mounts have maximum resistance to shock and vibration. Refer to Section 5 for connector installation and Section 6 for stacking and mounting connectors.

The contacts are removable with the aid of an extraction tool. The tool will separate stacked housings and accessory panel mounts from each other.

### 3. CONTACT INSTALLATION

**DANGER**

Avoid personal injury; disconnect electrical supply when performing assembly procedures.

**CAUTION**

Avoid connector failures; do not use bent or improperly crimped contacts. Refer to instruction material packaged with crimp tooling for crimped contact inspection procedure.

1. Orient crimped contact with housing so bottom of contact will face leaf spring inside housing (see Figure 1).
2. Insert contact until it bottoms in housing (stabilizing legs bottom inside housing). *Contact will snap into position as it overrides the leaf spring.* Be sure contact is in straight alignment with circuit cavity.

**CAUTION**

Avoid bending contact during insertion procedure.

### 4. CONTACT REMOVAL

**DANGER**

Avoid personal injury; disconnect electrical supply when removing contacts.

The contact is retained in the housing by a leaf spring (see Figure 2A). Depress this spring away from the underside of the contact to release the contact.

1. Orient proper end of extraction tool with front of connector (see Figure 2B).
2. Insert tip of tool between sides of contact and housing cavity. Push down on tool.
3. With leaf spring depressed, remove contact by pulling down and rearward on wire (see Figure 2A).

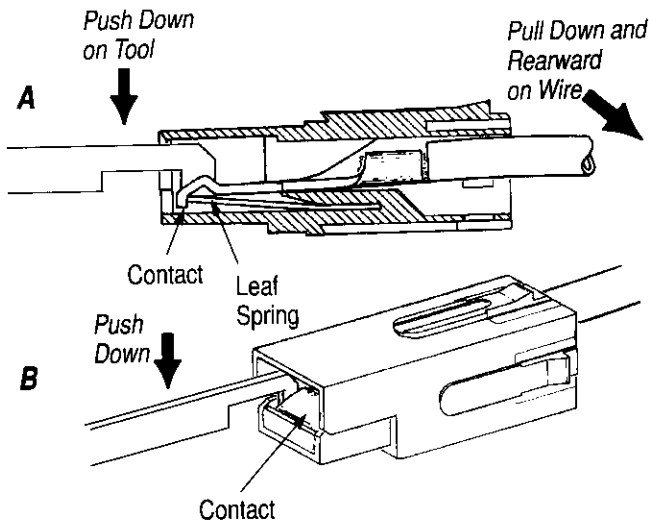


Figure 2

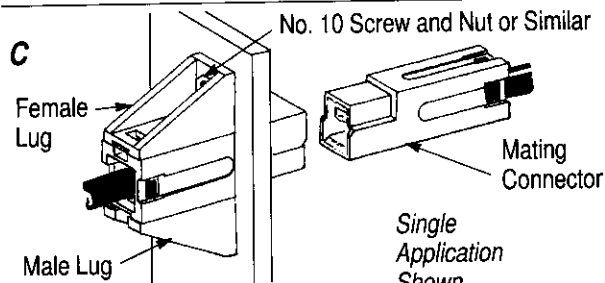
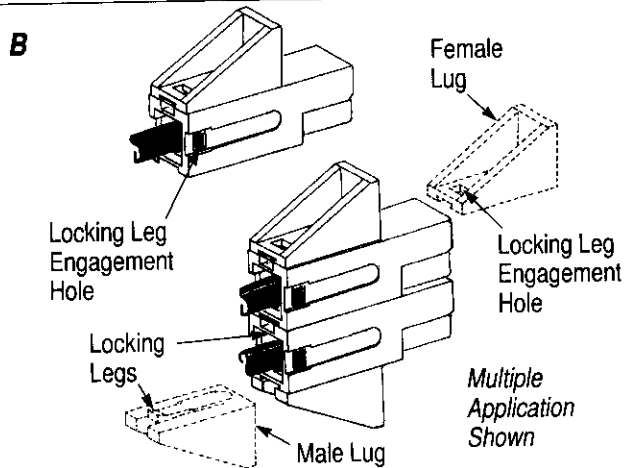
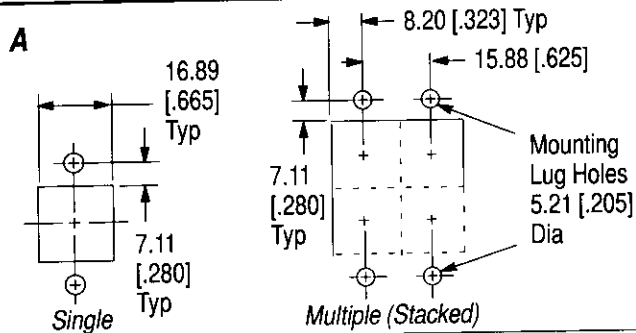


Figure 3

### 5. PANEL MOUNTING

1. Cut panel openings as needed for single or multiple connectors (see Figure 3A).
2. Stack connectors as needed, being sure that locking legs are properly engaged with hole in adjacent connector (see Figure 3B).
3. Slide mounting lugs onto connector until they are locked in position.

**NOTE**

Male and female lugs should be used with each single or multiple connector as shown in Figure 3B and C.

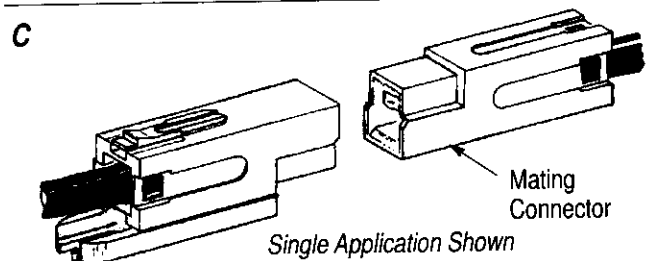
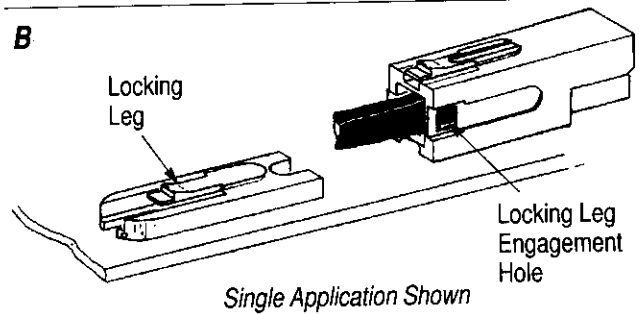
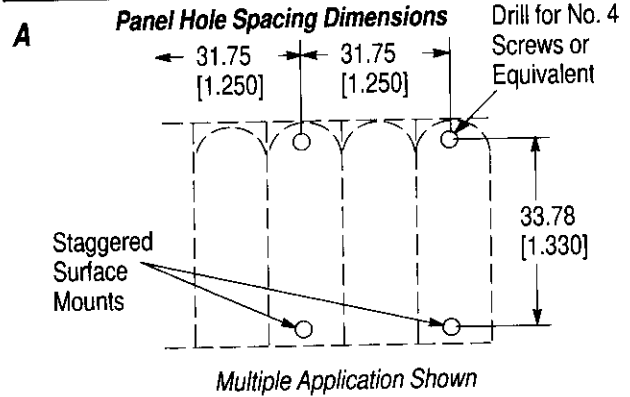


Figure 4

### 6. SURFACE MOUNTING

1. Drill holes for No. 4 screws at spacing indicated in Figure 4A. If multiple application is used, AMP recommends surface mounts be used at every other connector (staggered) as shown.
2. Secure the surface mount(s) using No. 4 screws or similar fastening device.
3. Slide connector onto surface mount until locking leg engages hole in connector (see Figure 4B).

4. Stack connectors and add surface mounts as desired, being sure that locking legs engage hole of adjacent connectors.

5. Orient and mate assembled connectors as shown in Figure 4C.

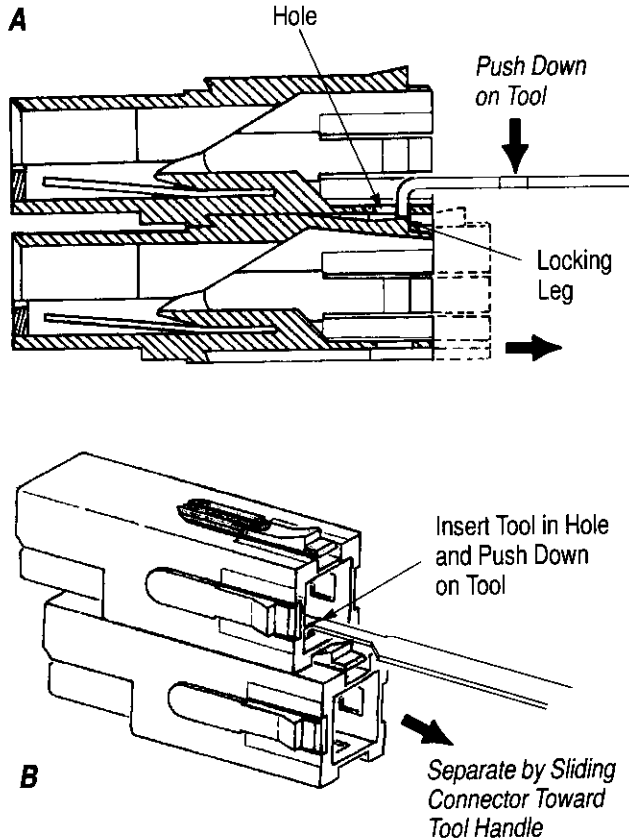


Figure 5

## 7. CONNECTOR REMOVAL

Connectors and accessory panel mounts are locked together when a locking leg engages a hole in the adjacent connector or panel mount (see Figure 5). The locking leg must be pushed out of the hole in order to separate the connectors or mounts.

## 8. CONNECTOR INSTALLATION INSPECTION

Inspect for the following conditions when installing connectors in panel or structure:

- Do not restrict movement of contacts that would affect their performance.
- Do not restrict heat dissipation from connectors.
- Do not expose connectors to excessive heat.
- When bending or forming wires, hold wires at least 6.35 mm [.250 in.] beyond rear of connector before bending them in desired direction.

**CAUTION** Do not bend unsupported wires. This may put strain on the contacts inside the connectors.

- Provide strain relief for wires approximately 25.4 mm [1 in.] from rear of housing if the installation is to be subjected to bending forces.

## 9. REVISION SUMMARY

Revisions to this document include:

Per EC 0990-0040-96:

- Changed title to Series II
- Changed CSA Number to LR7189
- Added Section 8, CONNECTOR INSTALLATION INSPECTION

## X-ON Electronics

Largest Supplier of Electrical and Electronic Components

*Click to view similar products for [Extraction, Removal & Insertion Tools](#) category:*

*Click to view products by [TE Connectivity](#) manufacturer:*

Other Similar products are found below :

[768211-2](#) [809-131](#) [8-59558-2](#) [91018-1](#) [1-21048-0](#) [R282867020](#) [1-21048-6](#) [1322](#) [RM-TP](#) [15350707](#) [15430130](#) [1579018-4](#) [1976593-3](#)  
[OUTEXT-0321](#) [2-1579008-3](#) [2-1579008-4](#) [229694-7](#) [231106-1](#) [241469](#) [91040-7](#) [965004-000](#) [965069-000](#) [1738219-1](#) [ET-JL05-16](#) [FG 0300](#)  
[146 3000](#) [FIT-6](#) [210S048](#) [2-1579007-9](#) [231879-1](#) [CF-008025-000](#) [312138-3](#) [313813-1](#) [RJ11FODE](#) [356-162](#) [M8196914-10](#) [483249-1](#) [5-](#)  
[1579007-2](#) [5-1579007-9](#) [BPR10](#) [313806-1](#) [356-121](#) [JFD-7104-9](#) [38039-7-0SN](#) [CAT-RE-169-01](#) [DCF.92.090.3LT](#) [DF-SD1RE-MD](#) [51-943.9](#)  
[0405-0337AS](#) [1055543-1](#) [10757872](#)