

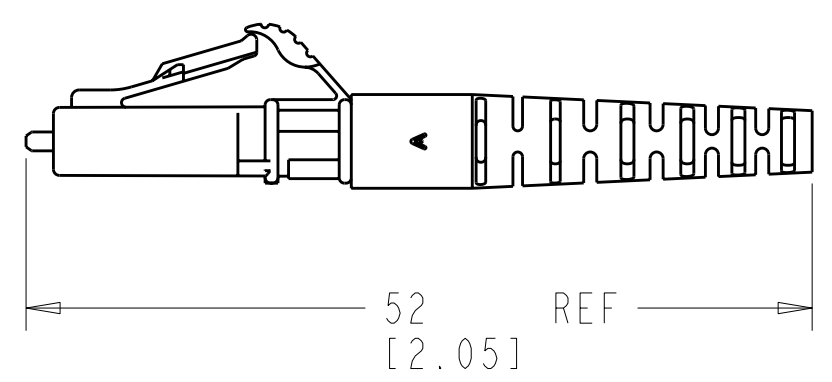
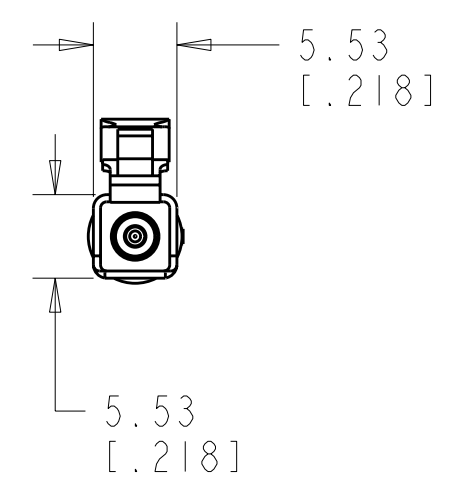
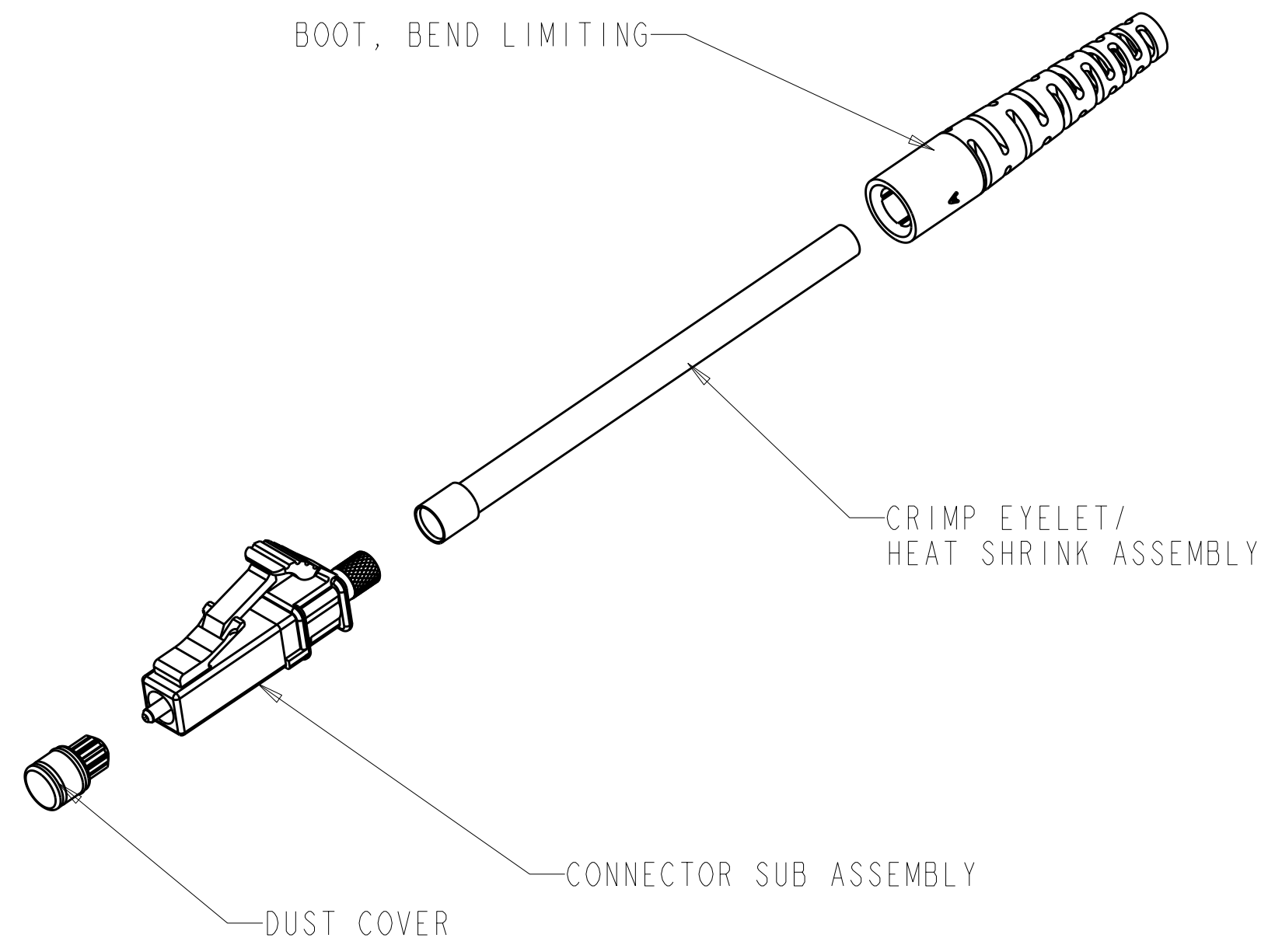
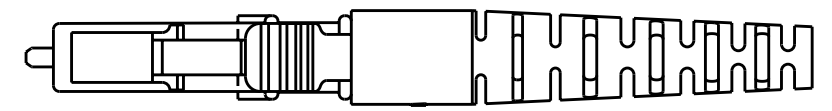
THIS DRAWING IS UNPUBLISHED. RELEASED FOR PUBLICATION
 © COPYRIGHT BY TYCO ELECTRONICS CORPORATION. ALL INTERNATIONAL RIGHTS RESERVED.

LOC	DIST	REVISIONS			
P	LTR	DESCRIPTION	DATE	DWN	APVD
	A	ECO-07-016319	17JUL2007	DHR	DHR
	B	REV PER ECR-10-010066	20MAY2010	IL	CT

1 MATERIAL: PROTECTIVE COVER: TPE, COLOR:BLACK, UL 94 HB. *
 FERRULE SUB ASSEMBLY: ZIRCONIA/ALUM ALLOY.
 COMPRESSION SPRING: STAINLESS STEEL.
 FRONT HOUSING: PPSU, COLOR:BEIGE, UL 94 V-0. *
 REAR BODY: ALUM ALLOY.
 BOOT: PP, COLOR:BEIGE, UL 94 V-0. *
 CRIMP EYELET/HEAT SHRINK ASSY: ALUM. ALLOY, HEAT SHRINK: POLYOLEFIN, UL VW-1.
 *RATED AT QUALIFYING THICKNESS.

2 BULK PACKAGED

3. THIS IS A NON-PULL PROOF LC CONNECTOR.
 IT IS DESIGNED FOR USE WITH TIGHT CONSTRUCTION OPTICAL CABLE.
 UNDER LOADS YOU MAY SEE ENDFACE ABRASIONS.



2	6828094-2
	6828094-1
PART NUMBER	

<small>THIS DRAWING IS A CONTROLLED DOCUMENT FOR TYCO ELECTRONICS CORPORATION IT IS SUBJECT TO CHANGE AND THE CONTROLLING ENGINEERING ORGANIZATION SHOULD BE CONTACTED FOR THE LATEST REVISION.</small>		DWN E_HALEY 14OCT2005 CHK D_ROHDE 14OCT2005 APVD D_ROHDE 14OCT2005	Tyco Electronics Tyco Electronics Corporation Shanghai, China		
DIMENSIONS: mm [INCHES]		TOLERANCES UNLESS OTHERWISE SPECIFIED: 0 PLC ±- 1 PLC ±0.1/[0.004] 2 PLC ±0.01/[0.0004] 3 PLC ±- 4 PLC ±- ANGLES ±- FINISH ±-		NAME CONNECTOR KIT, LC, SIMPLEX MM, JUMPER, TIGHT JACKET STYLE, 1.6-2.0mm	
MATERIAL 		PRODUCT SPEC APPLICATION SPEC WEIGHT CUSTOMER DRAWING		SIZE A2 CAGE CODE DRAWING NO. C-6828094 RESTRICTED TO -	
		SCALE 3:1 SHEET 1 OF 1 REV B			

X-ON Electronics

Largest Supplier of Electrical and Electronic Components

Click to view similar products for [Fibre Optic Connectors](#) category:

Click to view products by [TE Connectivity](#) manufacturer:

Other Similar products are found below :

[0004700001](#) [6100-R](#) [6313](#) [F709034706](#) [F709722200](#) [F709730000](#) [F718183204](#) [F727403500](#) [F727752800](#) [8119](#) [9440F20-27S-190](#) [944-120-6001](#) [9441F10SL-3S](#) [9444W28-21S](#) [9444W36-10S](#) [9446F10SL-4S](#) [9446W20-16S](#) [953-101-5310-P](#) [954-101-57202B](#) [A0270169](#) [12-9122](#) [12-5702](#) [AX101713](#) [AX102420](#) [AX103923](#) [AX104024](#) [AX104193](#) [AX104230](#) [AX104498](#) [AX104562](#) [AX105203-B25](#) [AX105205-S1](#) [EHSC2M](#) [181-011-126](#) [181-011-S](#) [181-057-126](#) [HRFC-R2\(40\)](#) [NKSOPBUY](#) [20500002116](#) [2064996-1](#) [20800001065](#) [2170](#) [9132](#) [2612](#) [2620](#) [9291](#) [9440F16-10S](#) [9440F20-18S](#) [9442W14S-10P](#) [9446F16-10S-190](#)