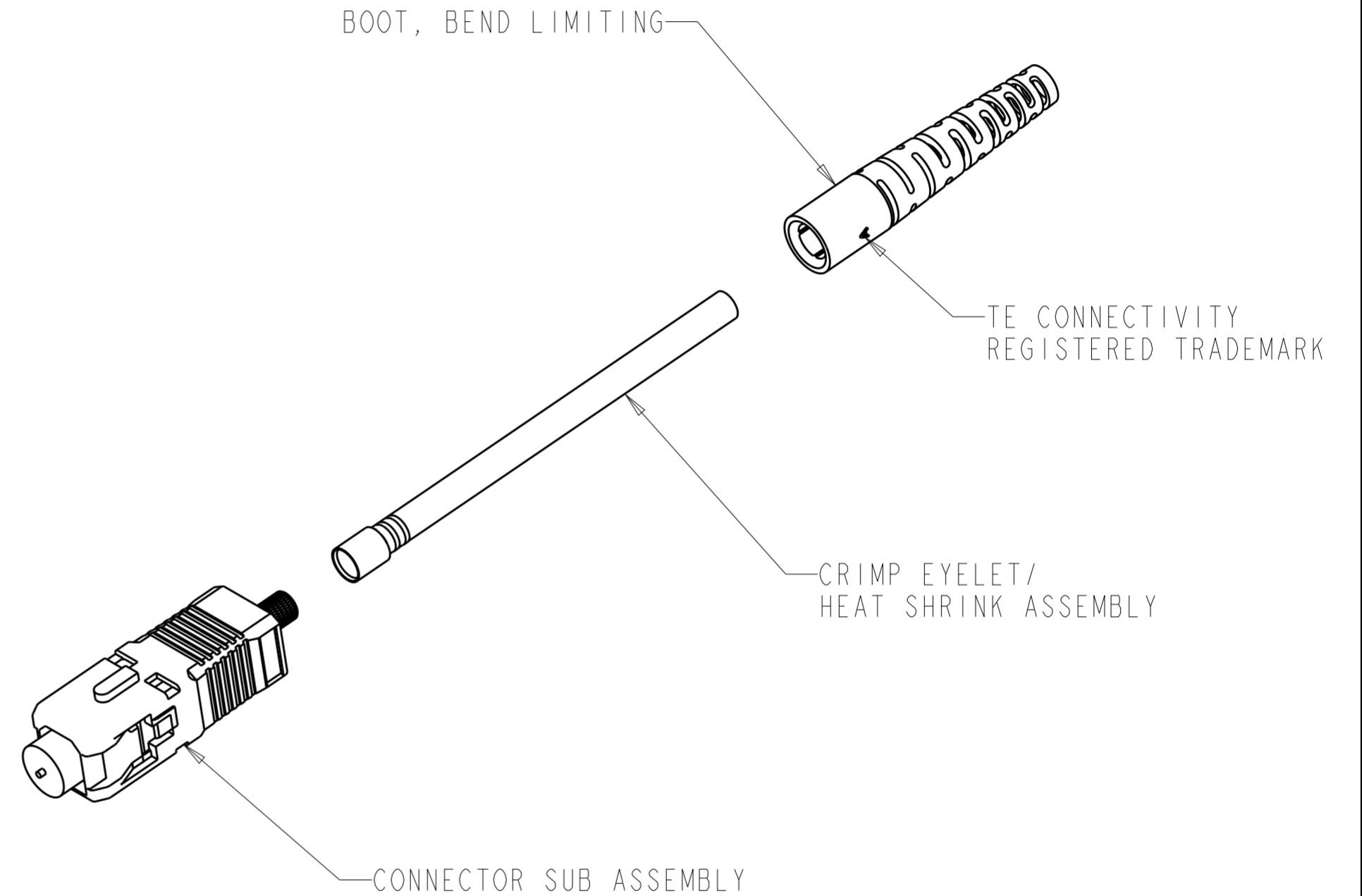
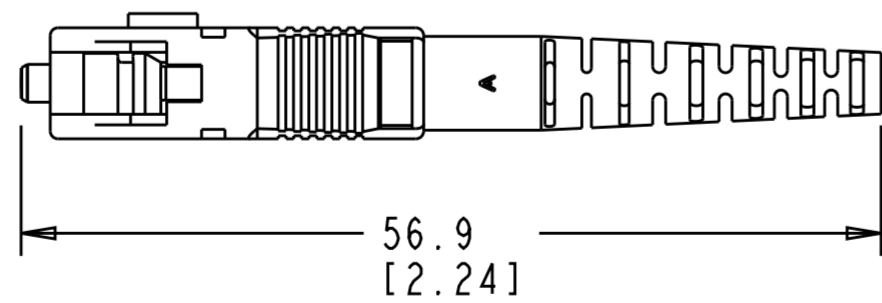
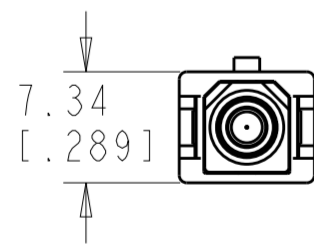
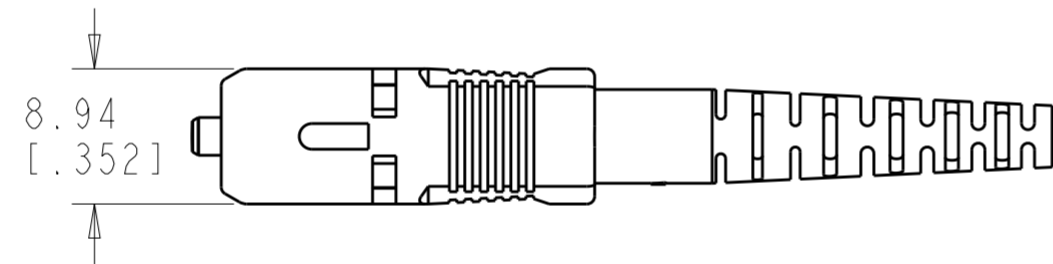


THIS DRAWING IS UNPUBLISHED. RELEASED FOR PUBLICATION 20
 © COPYRIGHT 20 BY - ALL RIGHTS RESERVED.

REVISIONS					
P	LTR	DESCRIPTION	DATE	DWN	APVD
E		ECR-17-012802	06SEP2017	KG	DW
E1		ECR-17-018829	02JAN2018	KG	DW

- 1 MATERIAL: PROTECTIVE COVER: TPE, COLOR:BLACK, UL 94 HB. *
- FERRULE SUB ASSEMBLY: ZIRCONIA/METAL
- COMPRESSION SPRING: STAINLESS STEEL.
- CONNECTOR HOUSING: PBT, COLOR:BLUE, UL 94 V-0. *
- PLUG BODY: PAS, COLOR: BEIGE, UL 94 V-0. *
- REAR BODY: METAL
- BOOT: PP, COLOR:BLUE, UL 94 V-0. *
- CRIMP EYELET/HEAT SHRINK ASSY: ALUM. ALLOY, HEAT SHRINK: POLYOLEFIN, UL VW-1.
- *RATED AT QUALIFYING THICKNESS.

2 BULK PACKAGED



2	6828100-2
	6828100-1
	PART NUMBER

THIS DRAWING IS A CONTROLLED DOCUMENT.		DWN E HALEY 14OCT2005	TE Connectivity	
DIMENSIONS: mm [INCHES]		CHK D ROHDE 14OCT2005		
TOLERANCES UNLESS OTHERWISE SPECIFIED:		APVD D ROHDE 14OCT2005	NAME CONNECTOR KIT, SC, SIMPLEX SM, JUMPER, TIGHT JACKET STYLE, 1.6-2.0mm	
0 PLC ±		PRODUCT SPEC	SIZE	
1 PLC ±0.1/[0.004]		APPLICATION SPEC	CAGE CODE	
2 PLC ±0.01/[0.0004]		WEIGHT	DRAWING NO	
3 PLC ±		CUSTOMER DRAWING	RESTRICTED TO	
4 PLC ±		SCALE 3:1	SHEET OF	
ANGLES ±			REV E1	
FINISH				

X-ON Electronics

Largest Supplier of Electrical and Electronic Components

Click to view similar products for [Fibre Optic Connectors](#) category:

Click to view products by [TE Connectivity](#) manufacturer:

Other Similar products are found below :

[0004700001](#) [6100-R](#) [6313](#) [F709034706](#) [F709722200](#) [F709730000](#) [F718183204](#) [F727403500](#) [F727752800](#) [8119](#) [9440F20-27S-190](#) [944-120-6001](#) [9441F10SL-3S](#) [9444W28-21S](#) [9444W36-10S](#) [9446F10SL-4S](#) [9446W20-16S](#) [953-101-5310-P](#) [954-101-57202B](#) [A0270169](#) [12-9122](#) [12-5702](#) [AX101713](#) [AX102420](#) [AX103923](#) [AX104024](#) [AX104193](#) [AX104230](#) [AX104562](#) [AX105203-B25](#) [AX105205-S1](#) [EHSC2M](#) [181-011-126](#) [181-011-S](#) [181-057-126](#) [HRFC-R2\(40\)](#) [NKSOPBUY](#) [20500002116](#) [2064996-1](#) [20800001065](#) [2170](#) [9132](#) [2612](#) [2620](#) [9291](#) [9440F16-10S](#) [9440F20-18S](#) [9442W14S-10P](#) [9446F16-10S-190](#) [953-106-50231](#)