

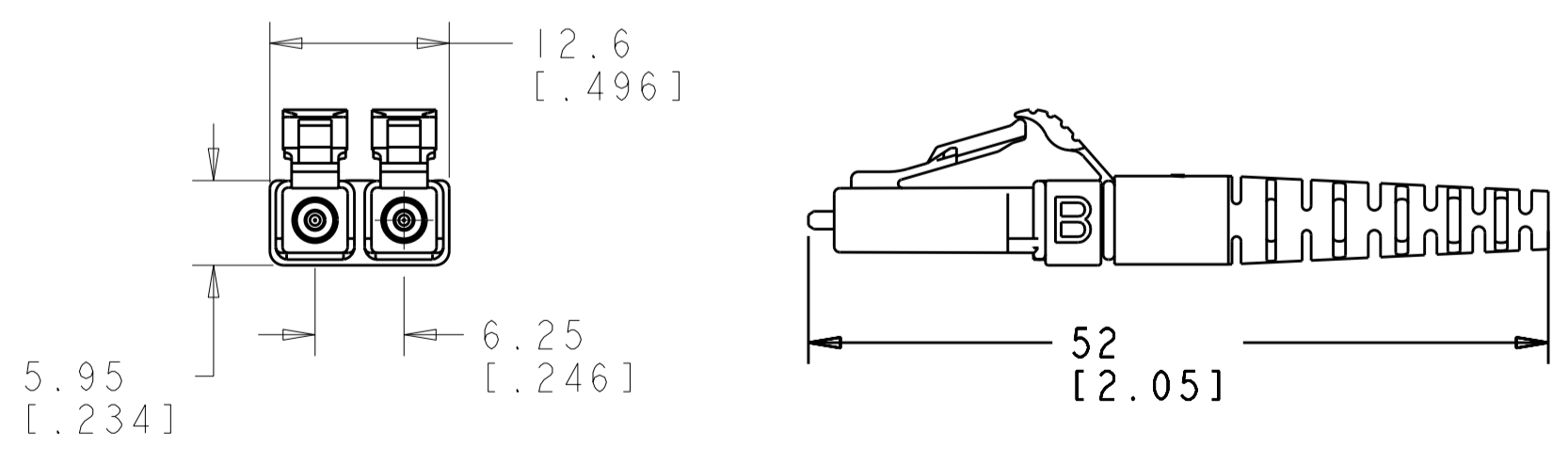
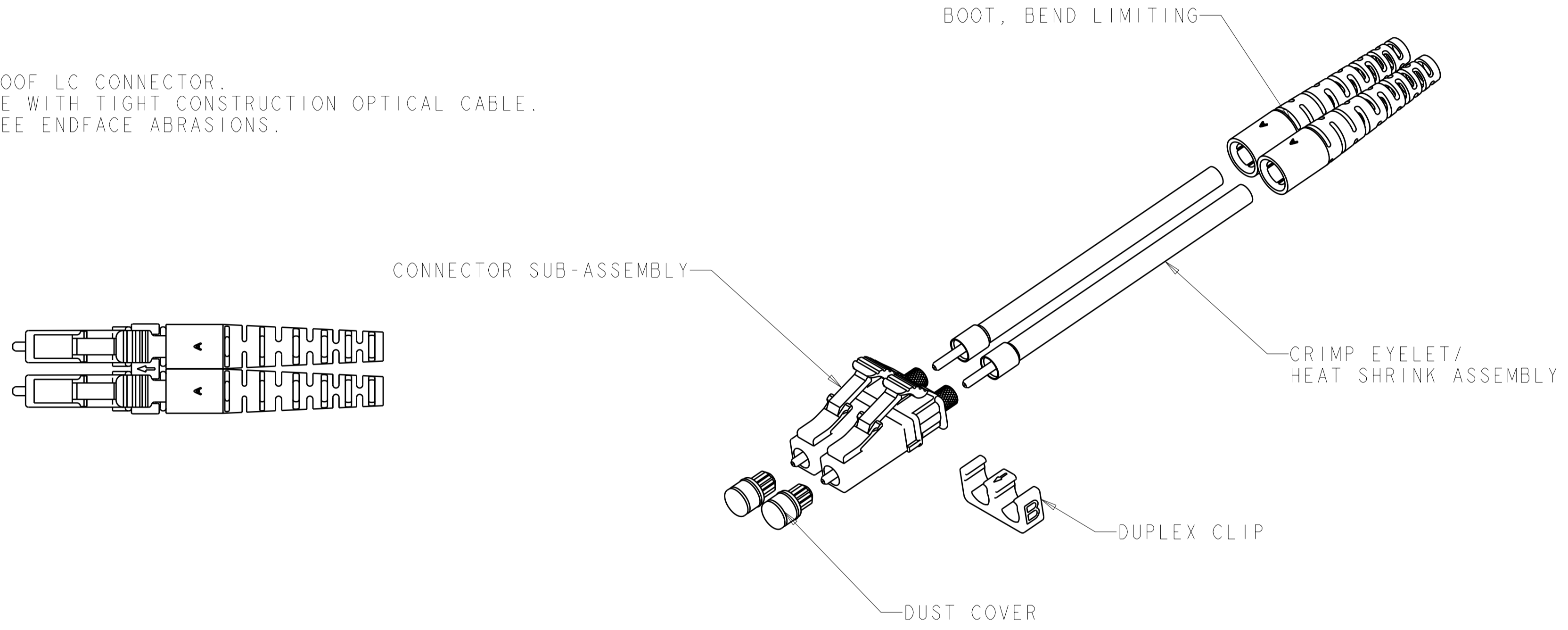
THIS DRAWING IS UNPUBLISHED. RELEASED FOR PUBLICATION
 © COPYRIGHT BY TYCO ELECTRONICS CORPORATION. ALL INTERNATIONAL RIGHTS RESERVED.

LOC	DIST	REVISIONS			
P	LTR	DESCRIPTION	DATE	DWN	APVD
HG	-				
	A	ECO-07-016319	17JUL2007	DHR	DHR
	B	REV PER ECR-10-010066	20MAY2010	IL	CT

- 1 MATERIAL: PROTECTIVE COVER: TPE, COLOR: BLACK, UL 94 HB. *
- FERRULE SUB ASSEMBLY: ZIRCONIA/ALUM. ALLOY
- COMPRESSION SPRING: STAINLESS STEEL.
- FRONT HOUSING: PPSU, COLOR BEIGE, UL 94 V-0. *
- REAR BODY: ALUM. ALLOY
- DUPLEX CLIP: PEI, COLOR: BLACK, UL 94 V-0. *
- BOOT: PP, COLOR: BEIGE, UL 94 V-0. *
- CRIMP EYELET/HEAT SHRINK ASSY: ALUM. ALLOY, HEAT SHRINK: POLYOLEFIN, UL VW-1.
- * RATED AT QUALIFYING THICKNESS.

2 BULK PACKAGE

- 3. THIS IS A NON-PULL PROOF LC CONNECTOR.
- IT IS DESIGNED FOR USE WITH TIGHT CONSTRUCTION OPTICAL CABLE.
- UNDER LOADS YOU MAY SEE ENDFACE ABRASIONS.



2	6828129-2
	6828129-1
	PART NO.

THIS DRAWING IS A CONTROLLED DOCUMENT FOR TYCO ELECTRONICS CORPORATION. IT IS SUBJECT TO CHANGE AND THE CONTROLLING ENGINEERING ORGANIZATION SHOULD BE CONTACTED FOR THE LATEST REVISION.		DWN: E_HALEY 14OCT2005	Tyco Electronics Corporation Shanghai, China	
DIMENSIONS: mm [INCHES]		CHK: D_ROHDE 14OCT2005	NAME: CONNECTOR KIT, LC, DUPLEX, MM, JUMPER, TIGHT JACKET STYLE, 1.6-2.0mm	
TOLERANCES UNLESS OTHERWISE SPECIFIED:		APVD: D_ROHDE 14OCT2005	SIZE: A2	CAGE CODE: -
0 PLC ±	1 PLC ±0.1 [0.004]	PRODUCT SPEC: -	DRAWING NO: C-6828129	RESTRICTED TO: -
2 PLC ±0.01 [0.0004]	3 PLC ±	APPLICATION SPEC: -	SCALE: 2:1	SHEET 1 OF 1
4 PLC ±	ANGLES ±	WEIGHT: -	CUSTOMER DRAWING	REV B
MATERIAL: 1	FINISH: -			

X-ON Electronics

Largest Supplier of Electrical and Electronic Components

Click to view similar products for [Fibre Optic Connectors](#) category:

Click to view products by [TE Connectivity](#) manufacturer:

Other Similar products are found below :

[0004700001](#) [6100-R](#) [6313](#) [F709034706](#) [F709722200](#) [F709730000](#) [F718183204](#) [F727403500](#) [F727752800](#) [8119](#) [9440F20-27S-190](#) [944-120-6001](#) [9441F10SL-3S](#) [9444W28-21S](#) [9444W36-10S](#) [9446F10SL-4S](#) [9446W20-16S](#) [953-101-5310-P](#) [954-101-57202B](#) [A0270169](#) [12-9122](#) [12-5702](#) [AX101713](#) [AX102420](#) [AX103923](#) [AX104024](#) [AX104193](#) [AX104230](#) [AX104562](#) [AX105203-B25](#) [AX105205-S1](#) [EHSC2M](#) [181-011-126](#) [181-011-S](#) [181-057-126](#) [HRFC-R2\(40\)](#) [NKSOPBUY](#) [20500002116](#) [2064996-1](#) [20800001065](#) [2170](#) [9132](#) [2612](#) [2620](#) [9291](#) [9440F16-10S](#) [9440F20-18S](#) [9442W14S-10P](#) [9446F16-10S-190](#) [953-106-50231](#)