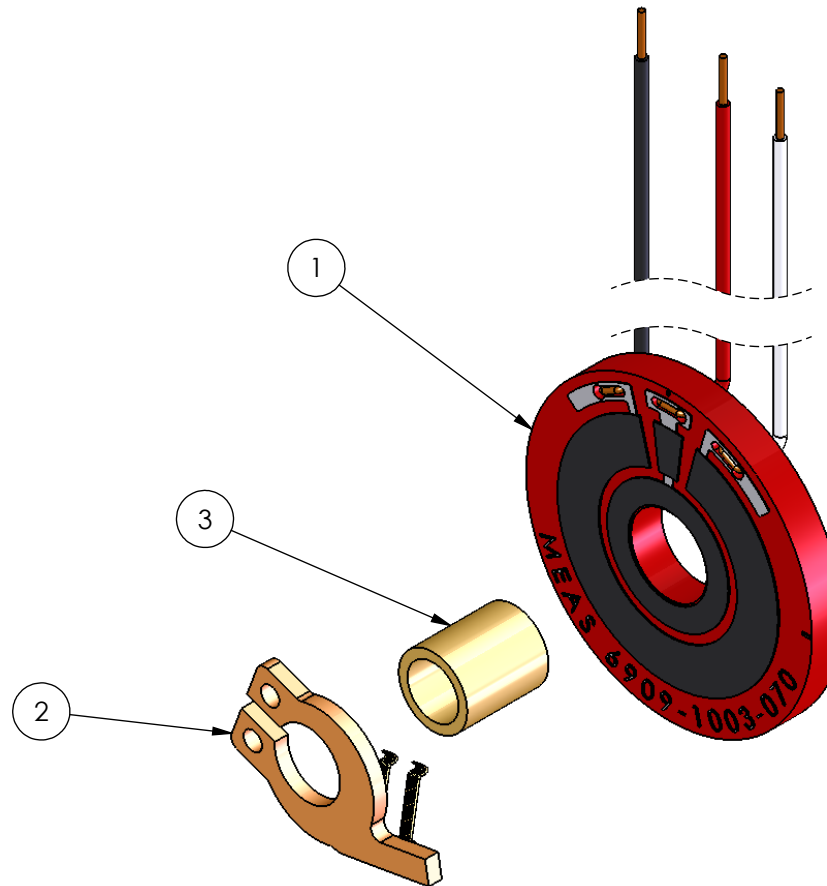


ITEM NO.	PART NUMBER	DESCRIPTION	QTY.
1	6909-1003-070	ELEMENT ASSEMBLY	1
2	6909-0000-060	ROTOR ASSEMBLY	1
3	7040-0001-015	INSULATOR	1

CHANGE HISTORY				
REV	DESCRIPTION	DATE	DRAWN	APPROVED
C	ECN 6350	1/18/19	EML	RJS



NOTES: UNLESS OTHERWISE SPECIFIED

1. PACKAGING INSTRUCTIONS ON PG. 2&3

EAR CONTROL
 TECHNICAL INFORMATION SUBJECT TO EXPORT ADMINISTRATION REGULATIONS (EAR). THIS TECHNICAL INFORMATION IS PROHIBITED FROM TRANSFER OR DISCLOSURE IN ANY MANNER TO NON-U.S. PERSONS IN THE UNITED STATES OR ABROAD WITHOUT PRIOR APPROVAL BY THE U.S. COMMERCE DEPARTMENT OR APPLICABLE EAR EXEMPTION.

PROPRIETARY AND CONFIDENTIAL

THE INFORMATION CONTAINED IN THIS DRAWING IS THE SOLE PROPERTY OF TE CONNECTIVITY. ANY REPRODUCTION IN PART OR AS A WHOLE WITHOUT THE WRITTEN PERMISSION OF TE CONNECTIVITY IS PROHIBITED.

DIMENSIONS ARE IN INCHES
 TOLERANCES
 ANGULAR $\pm 2^\circ$

TWO PLACE DECIMAL $\pm .01$
 THREE PLACE DECIMAL $\pm .005$
 FOUR PLACE DECIMAL $\pm .0005$

MATERIAL

NOTED

FINISH

NOTED

DO NOT SCALE DRAWING

Information in this box is for Engineering Reference Only

	NAME	DATE
DRAWN	E. LENCIONI	1/18/19
CHECKED	R. SPECIALE	02/25/19
ENG APPR.	E. LENCIONI	1/18/19
MFG APPR.		
Q.A.		

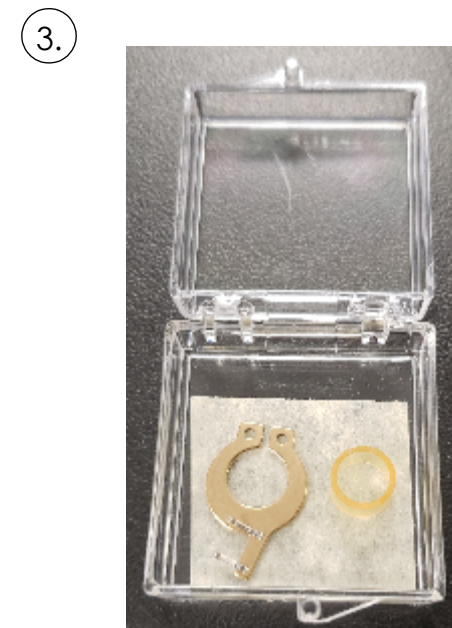
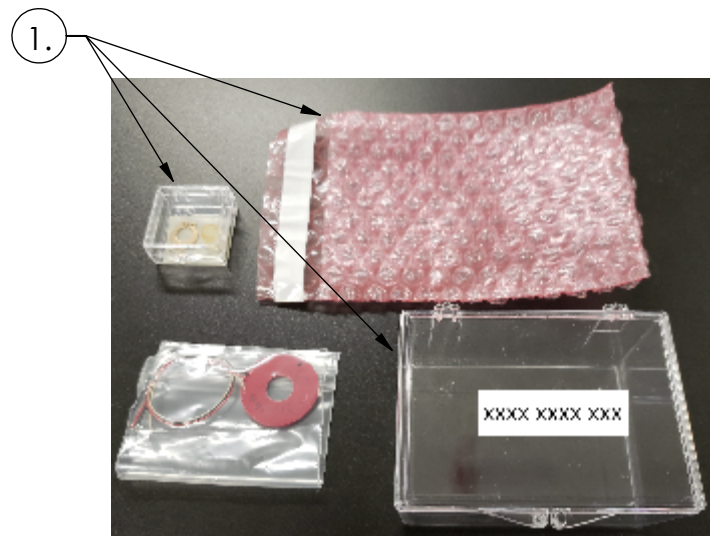


**ELEMENT ASSEMBLY,
 ROTOR, INSULATOR KIT**

CAGE CODE
 5W885

DWG. NO.
 6909-1003-030

1. IN ADDITION TO THE BOM ON PG 1, OBTAIN 1 LARGE AND 1 SMALL PLASTIC BOX, AND 1 SMALL BUBBLED PLASTIC BAG.
2. VERIFY ELEMENT ASSEMBLY (6909-1003-070) IS PACKAGED INDIVIDUALLY IN A NON-BUBBLED PLASTIC BAG.
3. PLACE 1 ROTOR ASSEMBLY (6909-0000-060), AND 1 INSULATOR (7040-0001-015) ON DOUBLE SIDED TAPE IN BOTTOM OF SMALL BOX.
4. PLACE THE BUBBLED BAG INTO THE LARGE PLASTIC BOX AS SHOWN.
5. PLACE THE ELEMENT ASSEMBLY INTO THE BOX.
6. PLACE THE SMALL PLASTIC BOX CONTAINING THE ROTOR ASSEMBLY AND INSULATOR INTO THE LARGE PLASTIC BOX.
7. WRAP BUBBLED PLASTIC BAG OVER CONTENTS, AND CLOSE LARGE PLASTIC BOX.
8. PLACE PART NUMBER LABEL ON COVER OF LARGE PLASTIC BOX.

**EAR CONTROL**

TECHNICAL INFORMATION SUBJECT TO EXPORT ADMINISTRATION REGULATIONS (EAR). THIS TECHNICAL INFORMATION IS PROHIBITED FROM TRANSFER OR DISCLOSURE IN ANY MANNER TO NON-U.S. PERSONS IN THE UNITED STATES OR ABROAD WITHOUT PRIOR APPROVAL BY THE U.S. COMMERCE DEPARTMENT OR APPLICABLE EAR EXEMPTION.

PROPRIETARY AND CONFIDENTIAL

THE INFORMATION CONTAINED IN THIS DRAWING IS THE SOLE PROPERTY OF TE CONNECTIVITY. ANY REPRODUCTION IN PART OR AS A WHOLE WITHOUT THE WRITTEN PERMISSION OF TE CONNECTIVITY IS PROHIBITED.



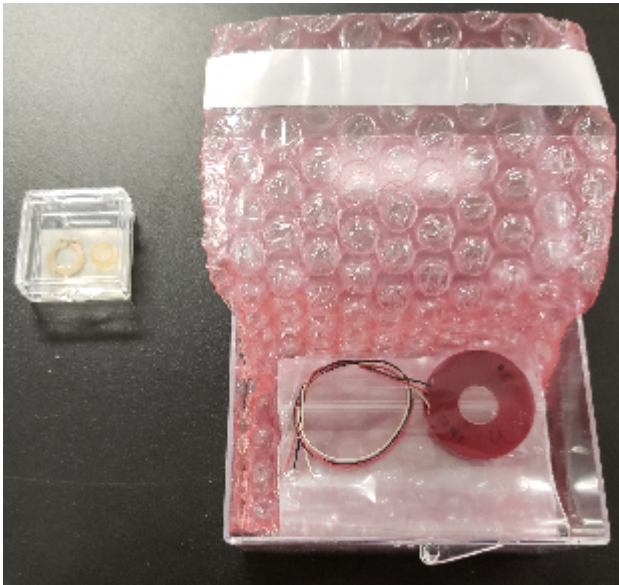
ELEMENT ASSEMBLY, ROTOR, INSULATOR KIT

CAGE CODE
5W885

DWG. NO.
6909-1003-030

REV.
C

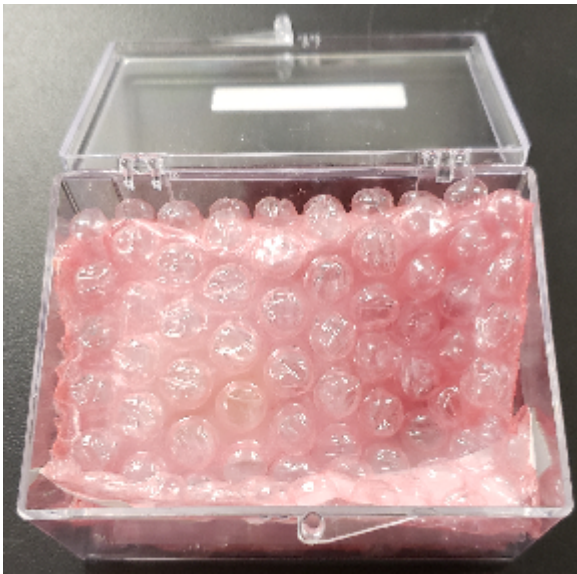
5.



6.



7.



8.



EAR CONTROL

TECHNICAL INFORMATION SUBJECT TO EXPORT ADMINISTRATION REGULATIONS (EAR). THIS TECHNICAL INFORMATION IS PROHIBITED FROM TRANSFER OR DISCLOSURE IN ANY MANNER TO NON-U.S. PERSONS IN THE UNITED STATES OR ABROAD WITHOUT PRIOR APPROVAL BY THE U.S. COMMERCE DEPARTMENT OR APPLICABLE EAR EXEMPTION.

PROPRIETARY AND CONFIDENTIAL

THE INFORMATION CONTAINED IN THIS DRAWING IS THE SOLE PROPERTY OF TE CONNECTIVITY. ANY REPRODUCTION IN PART OR AS A WHOLE WITHOUT THE WRITTEN PERMISSION OF TE CONNECTIVITY IS PROHIBITED.



**ELEMENT ASSEMBLY,
ROTOR, INSULATOR KIT**

CAGE CODE	DWG. NO.	REV.
5W885	6909-1003-030	C

X-ON Electronics

Largest Supplier of Electrical and Electronic Components

Click to view similar products for [Potentiometers](#) category:

Click to view products by [TE Connectivity](#) manufacturer:

Other Similar products are found below :

[58C2-2](#) [590SX1N32F103SS](#) [591SXJ48S252SC](#) [591SXP56S252SC](#) [591SXP56S503SC](#) [D31409](#) [70B1G048K502X-A](#) [70B1M032S502W](#)
[70B1N056S202W](#) [70B8N056F502W](#) [70J8N048S104U](#) [70L1N040P103W](#) [70L1N048P103X](#) [70L1N048S103W](#) [GA2L040S102UC](#)
[GA2L040S103UC](#) [GS1G044P103UA](#) [GS1N048P103UA](#) [GS1T032S103UA](#) [A43-1500](#) [A43-20K](#) [A47-200K](#) [A4720K](#) [RA20LASD251A](#)
[132-2-0-202](#) [132-0-0-202](#) [RK14K1220-F25-C0-A103](#) [RK14K1220F25C0C104](#) [RK14K1220-F25-C1-B103](#) [14910FAGJSX10102KA](#)
[14910FBGLFY00103KA](#) [14910AABHSX10103KA](#) [14910FAGJSX10104KA](#) [152-01031](#) [C0342008 5K](#) [P270-109A](#) [J97589](#) [23M728](#)
[248BBHS0XB25104MA](#) [RV170F-10-15R1-B500K-0021](#) [RV8NAYSB104A](#) [917523A](#) [A43-40](#) [A43-750](#) [A43S-5](#) [A47-15K](#) [A4750K](#)
[SPPG048S103U](#) [SPPG056P103U](#) [SWE-10](#)