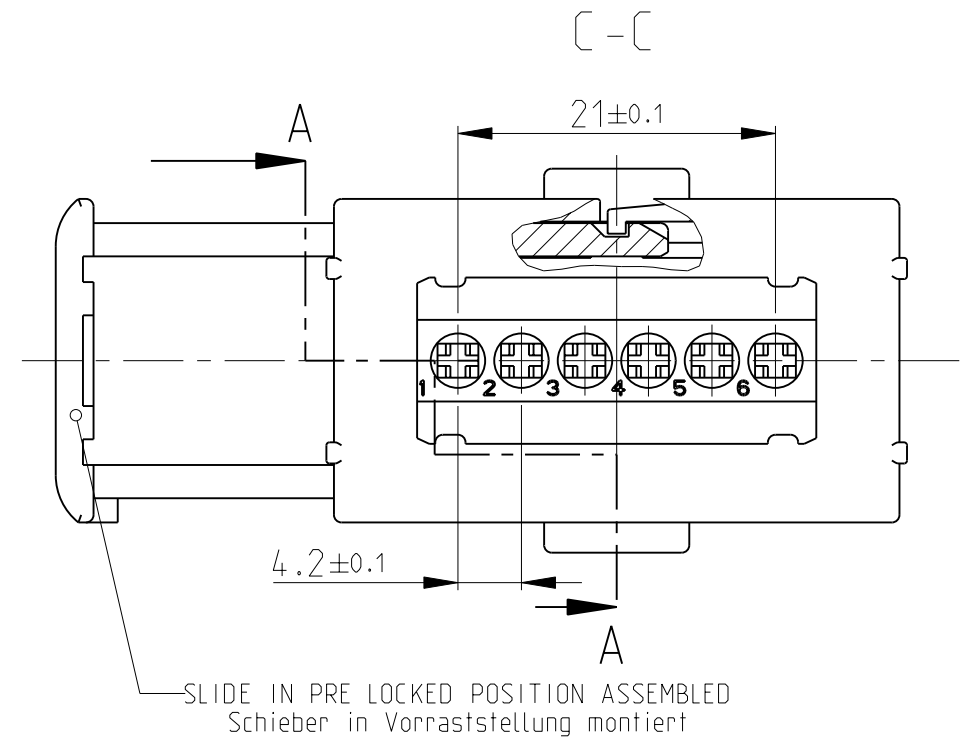
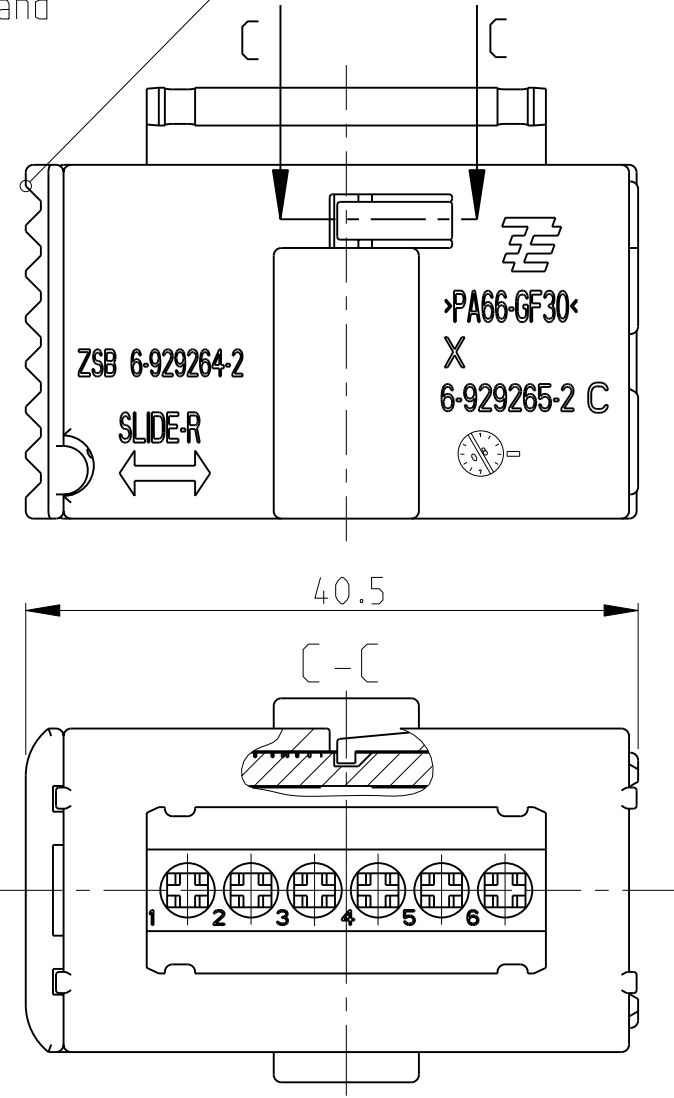


LOC	DIST	REVISIONS			
P	LTR	DESCRIPTION	DATE	DWN	APVD
A		NEW DRAWING	06NOV2008	CA	HS
A1		SEE E-11-001103	17JAN2011	HS	RH

ASSEMBLAGE CONDITION
 Montagezustand

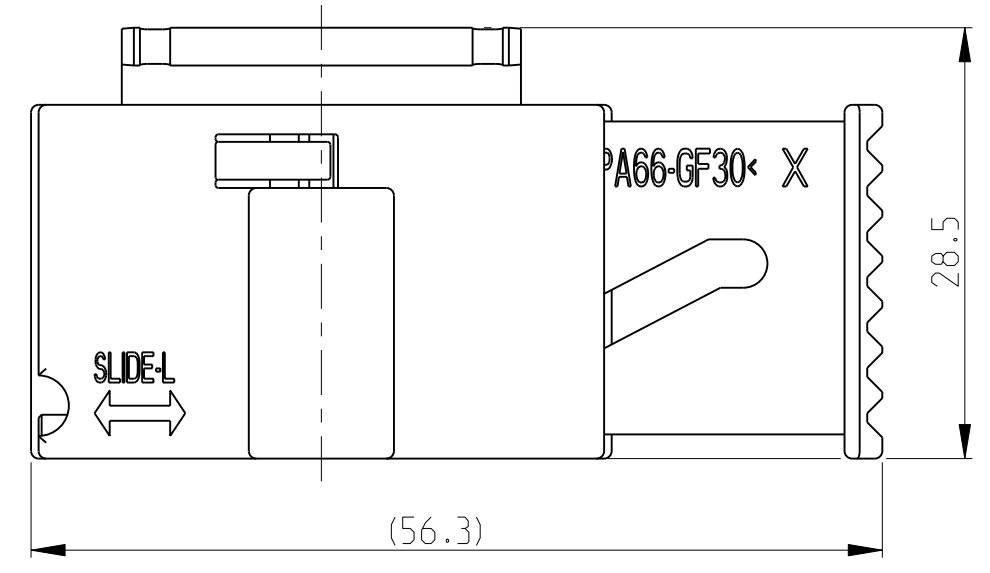
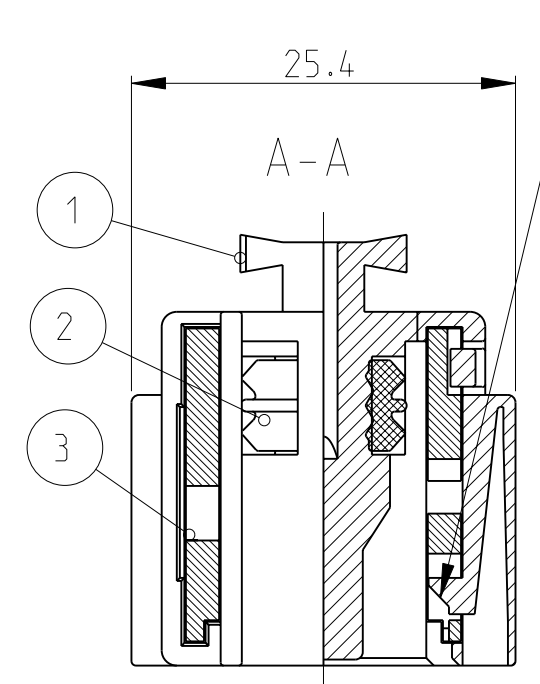
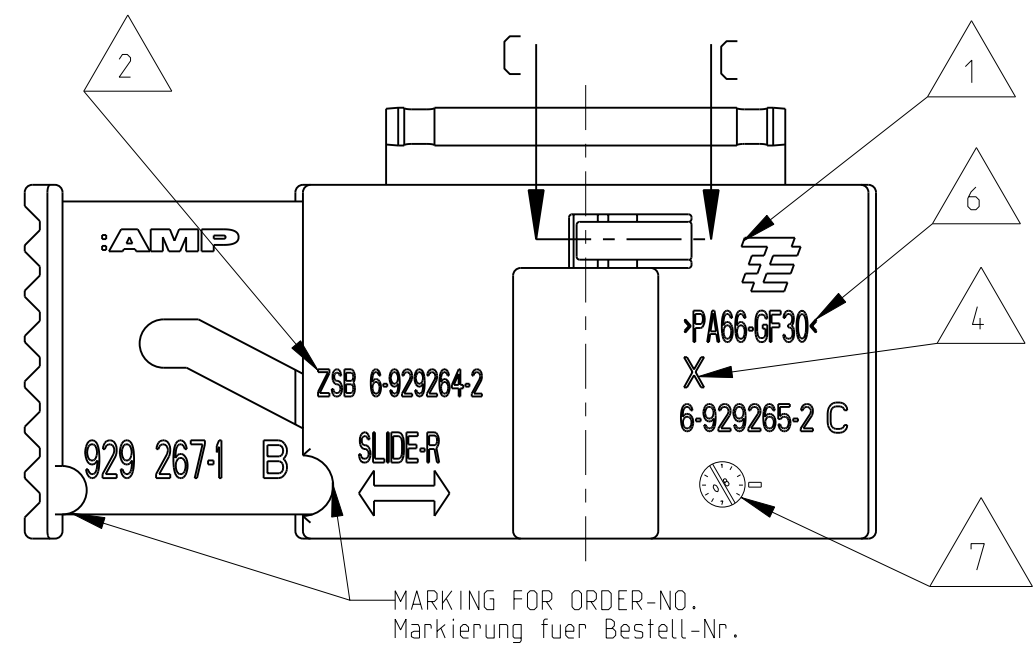
DELIVERY CONDITION
 Anlieferungszustand



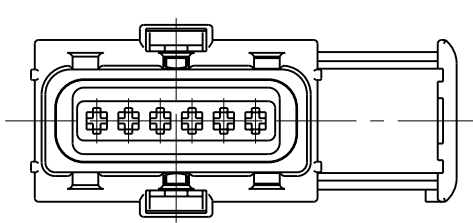
NOTES
 Bemerkungen

- 1 AMP-LOGO OR TE-LOGO
AMP-Logo oder TE-Logo
- 2 ORDER-NUMBER
Bestell-Nummer
- 3 REVISIONS-NUMBER
Werkzeugaenderungsindex
- 4 CAVITY MARKING
Nestmarkierung
- NV CUSTOMER SIGN
Kunden-Kurzzeichen
- 5 PACKAGING IN CARTON
Verpackung in Karton
- 6 MATERIAL MARKING
Werkstoffkennzeichnung
- 7 PRODUCTION-DATE
Produktions-Datum

WAS 97-52263-104



PN 6-929264-2
 CODING N
 Kodierung N
 1:1



MICRO TIMER	962 876-2	963 711-2	0.5 - 1.0	CuFe2	PRE TIN PLATED	FOR HIS REGULATION	878 616-2	HAND TOOL 734 560-1	963 530-1
CONTACT	ORDER NO. STRIP FORM	ORDER NO. LOOSE PIECE	WIRE RANGE MM ²	MATERIAL	FINISH	APPLICATOR	CRIMP TOOL	HAND TOOL	SEAL

TE ORDER NO TE BESTELLNUMMER	REV	QTY	DESCRIPTION NAME	MATERIAL	SURFACE COLOR	WEIGHT GEWICHT [g]	ITEM NO
6-929264-2	D	1	SLIDE	PA66-GF30	RED		3
		1	SEALING	SILICON	RED		2
		1	MT2 HSG. 6POS. COD. N	PA66-GF30	BLACK	-	1

THIS DRAWING IS A CONTROLLED DOCUMENT FOR TYCO ELECTRONICS CORPORATION IT IS SUBJECT TO CHANGE AND THE CONTROLLING ENGINEERING ORGANIZATION SHOULD BE CONTACTED FOR THE LATEST REVISION.

DWN: C. Anghel 06NOV2008
 CHK: H. Schmitt 07NOV2008
 APVD: -

Tyco Electronics Tyco Electronics AMP GmbH
 64625 Bensheim, Germany

NAME: MT2 HOUSING, 6POS., ASS'Y
 MT2 Gehäuse, 6pol., Ass'y

SIZE: A2 CAGE CODE: 00779 DRAWING NO: 929264 RESTRICTED TO: -

MATERIAL: SEE TABLE DIMENSIONS: mm TOLERANCES UNLESS OTHERWISE SPECIFIED: 0 PLC ±0.5, 1 PLC ±0.5, 2 PLC ±0.5, 3 PLC ±0.5, 4 PLC ±0.5, ANGLES ±5° FINISH: SEE TABLE WEIGHT: 16.1g

Customer Drawing SCALE: 2:1 SHEET 1 OF 1 REV: A1

X-ON Electronics

Largest Supplier of Electrical and Electronic Components

Click to view similar products for [Automotive Connectors](#) category:

Click to view products by [TE Connectivity](#) manufacturer:

Other Similar products are found below :

[003-018-000](#) [60403001](#) [60993906-B](#) [M902-2131](#) [M902-2161](#) [72.330.1035.1](#) [73.353.4028.0](#) [F119300-B](#) [F166900](#) [F258300-B](#) [F358300-B](#)
[F407400](#) [F444110](#) [F487000](#) [F509500B-B](#) [827153-1](#) [8N1515-32-24P](#) [9-1326729-8](#) [925474-1](#) [928905-1](#) [964562-4](#) [968782-1](#) [GT17SA-8DS-](#)
[HU](#) [98891-1012](#) [98947-1016](#) [12004147](#) [12004475-L](#) [12010290](#) [12010309-B](#) [12015454](#) [12020219-B](#) [12020308](#) [12041318-B](#) [12052225-L](#)
[12052466](#) [12059125](#) [12064869](#) [12004327-B](#) [12010503-B](#) [12015308](#) [12015384](#) [12015909](#) [1-21030-1](#) [12041254](#) [12041318](#) [12047946-B](#)
[12047957](#) [12047957-L](#) [12059473](#) [12066261](#)