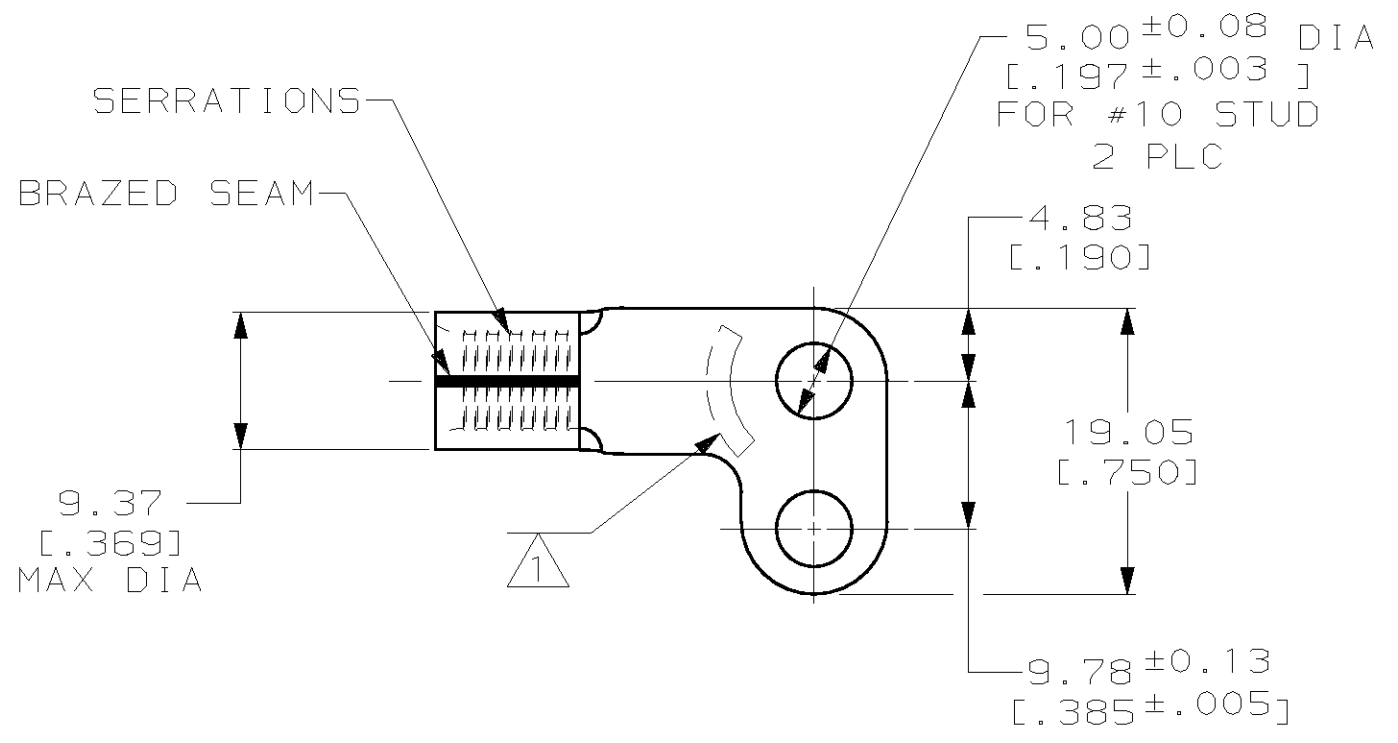


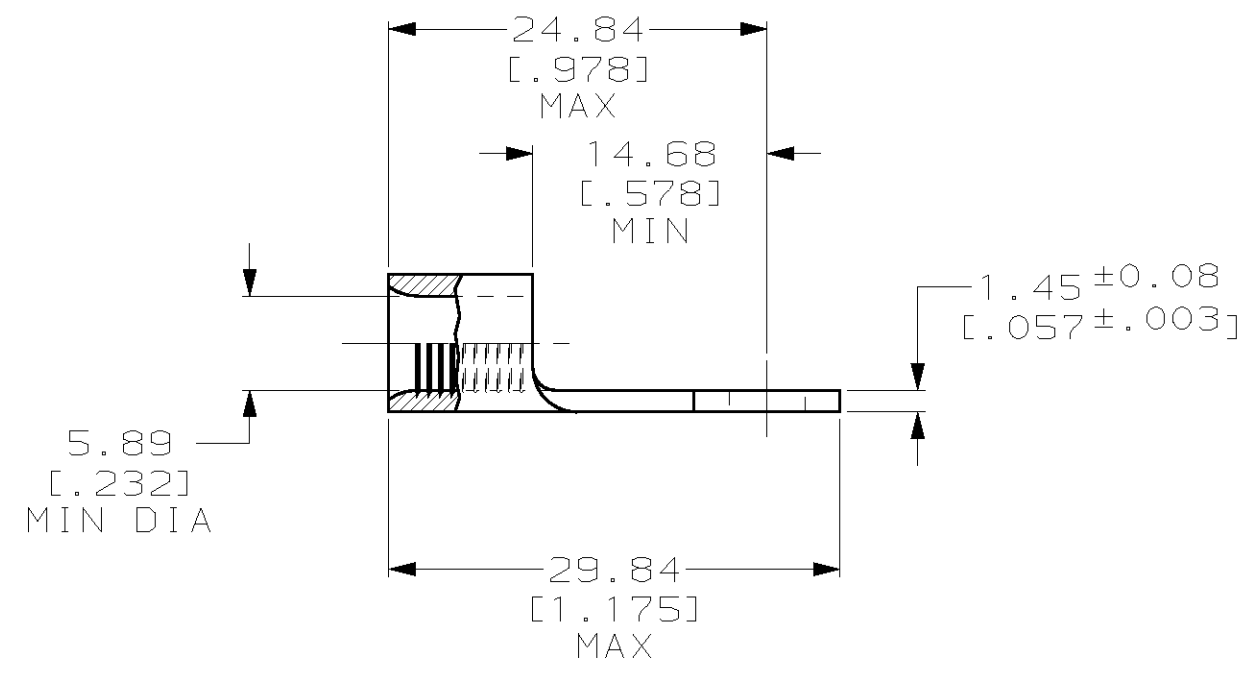
THIS DRAWING IS UNPUBLISHED. RELEASED FOR PUBLICATION, 19 .
 © COPYRIGHT 19 BY AMP INCORPORATED. ALL RIGHTS RESERVED.

| LOC | DIST | REVISIONS | | | |
|-----|------|-------------|------------------------|---------|---------|
| P | LTR | DESCRIPTION | DATE | DWN | APVD |
| G | 14 | 0 | RELEASED PER PR 97-135 | 12DEC97 | DKS MJS |



| | |
|-------------------------------|----------------------------|
| AMP WIRE RANGE | UL E13288 Listed |
| 6 AWG STRANDED | 6 AWG STRANDED |
| SP LR7189 Certified | MILITARY P/N AND CLASS |
| NOT CERTIFIED | NOT APPLICABLE |

1 STAMP AMP 6* APPROX AS SHOWN



| | | |
|-----|---------------|--------------------|
| 500 | ON TAPE, REEL | 696035-2 |
| QTY | PACKAGE TYPE | AMP PART NUMBER |

AMP INCORPORATED
CUSTOMER SERVICE SYSTEMS

| | | |
|--|--|---|
| FOR ADDITIONAL PRODUCT INFORMATION OR COPIES OF DRAWINGS AND TECHNICAL DOCUMENTS | PRODUCT INFORMATION CENTER 1-800-522-6752 | RECOMMENDED OPERATING TEMPERATURE: 170°C MAX |
| FOR APPLICATION TOOLING INFORMATION | TOOLING ASSISTANCE CENTER 1-800-722-1111 | VOLTAGE RATING: NOT APPLICABLE |
| FOR ORDER ENTRY | 1-800-526-5142 | WIRE CROSS SECTIONAL AREA RANGE: 10.5-16.8mm ² [20,800-33,100] CIR MILS STRANDED |

THIS DRAWING IS A CONTROLLED DOCUMENT.

| | |
|--|--|
| DIMENSIONS: mm [INCHES] | TOLERANCES UNLESS OTHERWISE SPECIFIED: |
| | 0 PLC ±- |
| | 1 PLC ±- |
| | 2 PLC ±0.20 [.008] |
| | 3 PLC ±- |
| | 4 PLC ±- |
| | ANGLES ±- |
| MATERIAL COPPER PER ASTM B-152 ANNEALED | FINISH TIN PLATE 0.00254 [.000100] MIN THK PER ASTM B-545 |

| | |
|-------------------------------|--|
| DWN DK SCHRUM 12DEC97 | AMP AMP Incorporated Harrisburg, PA 17105-3608 |
| CHK MJ SPICER 17DEC97 | |
| APVD JL MECKLEY 17DEC97 | |
| PRODUCT SPEC | NAME TERMINAL, RING TONGUE, FLAG, SOLISTRAND™ |
| APPLICATION SPEC | SIZE A3 |
| WEIGHT | CAGE CODE 00779 |
| CUSTOMER DRAWING | DRAWING NO C- 696035 |
| | RESTRICTED TO - |
| | SCALE 2:1 |
| | SHEET 1 OF 1 |
| | REV 0 |

X-ON Electronics

Largest Supplier of Electrical and Electronic Components

Click to view similar products for [Terminals](#) category:

Click to view products by [TE Connectivity](#) manufacturer:

Other Similar products are found below :

[HT-13-10](#) [71M-250-32-NB](#) [01-2065-1-0216](#) [00581P0075](#) [M10-10RX](#) [M10BCK](#) [60205-1](#) [604200-1](#) [60598-1-CUT-TAPE](#) [60617-1-C](#) [60873-1](#) [M14-516R/SK](#) [M14-6RSX](#) [M18-10FLX](#) [M18-8FBX](#) [M18-8R/LX](#) [M18BCK](#) [61314-6-C](#) [61-S](#) [61-SN-A](#) [62-NBM-A](#) [63-S](#) [640179-1](#) [640917-2-CUT-TAPE](#) [6501550002](#) [66107-2-C](#) [696683-1](#) [696834-1](#) [696861-1](#) [696931-1](#) [696999-1](#) [M8-516RK](#) [M86700006](#) [MA250DMFMX-A](#) [701-2007](#) [701-2307](#) [701-7761-03](#) [70F-110-32-PB](#) [718-N-A](#) [71M-187-20-NBL](#) [71M-250-32-NBL](#) [72F-187-20-NBL](#) [72M-250-32-NBL](#) [7310](#) [73F-250-32](#) [73F-250-32-NBL](#) [73F-250-32-NL](#) [F14-10C](#) [F-1M](#) [751-250](#)