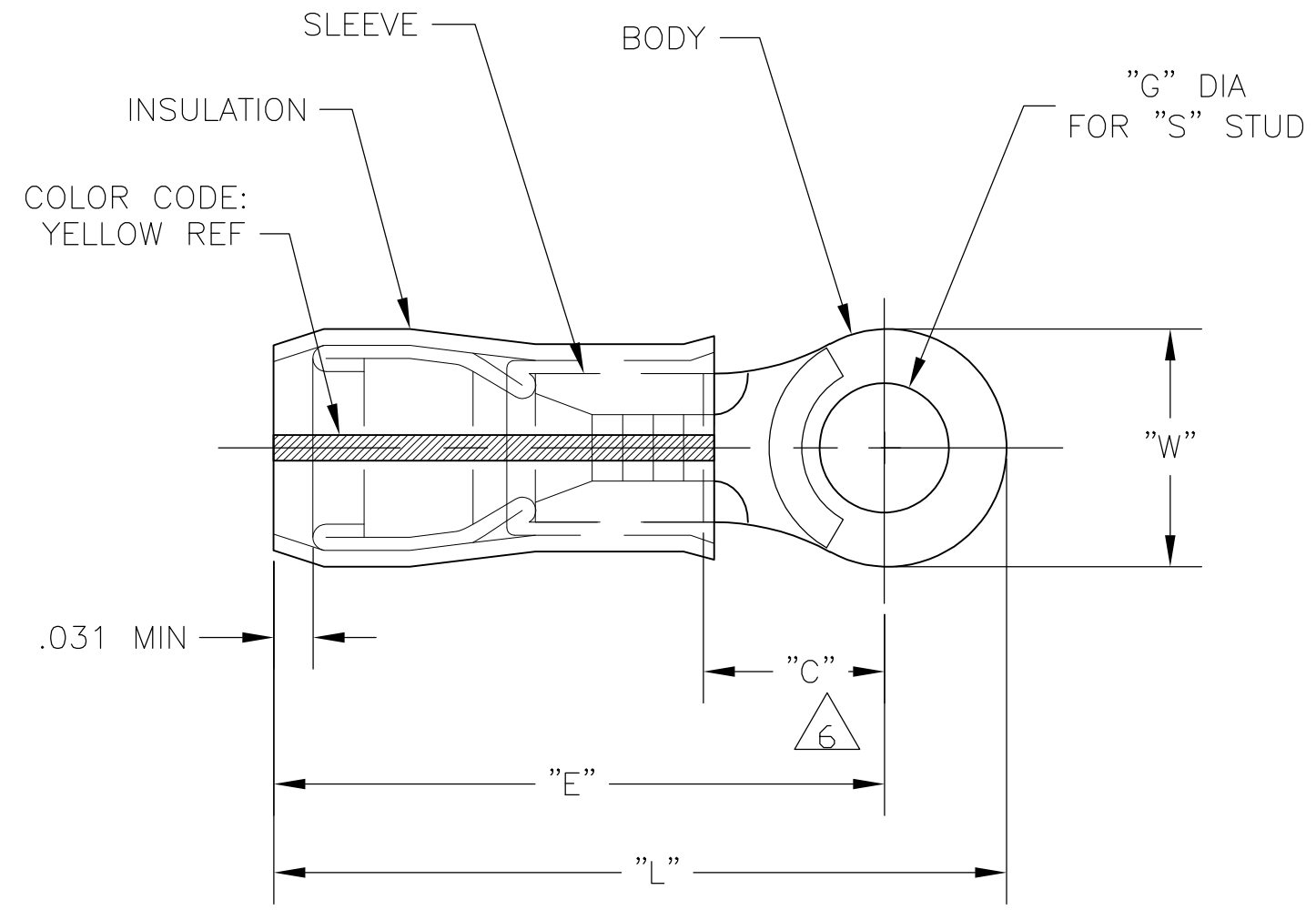


THIS DRAWING IS UNPUBLISHED. RELEASED FOR PUBLICATION
 © COPYRIGHT BY TYCO ELECTRONICS CORPORATION. ALL RIGHTS RESERVED.

| LOC | DIST | REVISIONS | | | | | |
|-----|------|-----------|-----|-----------------------|---------|-----|------|
| | | P | LTR | DESCRIPTION | DATE | DWN | APVD |
| G | 14 | | A1 | REV PER ECR 07-016469 | 18JUL07 | JR | TM |



- 1 STAMP AMP 12-10* APPROX AS SHOWN
- 2 WIRE INSULATION DIA: .150-.230
- 3 TONGUE MATERIAL THK: .039±.002
- 4 BODY & SLEEVE: TIN PLATE PER ASTM B545,
- 5 BODY & SLEEVE- CU PER ASTM B152
INSULATION - PVF2, COLOR - NATURAL
- 6 APPLIES FROM EDGE OF METAL WIRE BARREL TO CENTER OF STUD HOLE.

| | | | | | | | | | |
|----------------------|------|----------|-----------|-----------|-------|-----------|-----|--------------|------------|
| M7928/4-158 CLASS 2 | .715 | .474 MIN | 1.054 MAX | .515±.005 | 1/2" | 1.419 MAX | 500 | LOOSE PIECE | 1-696424-0 |
| M7928/4-114 CLASS 2 | .593 | .531 MIN | 1.115 MAX | .390±.005 | 3/8" | 1.419 MAX | 500 | LOOSE PIECE | 696424-9 |
| M7928/4-113 CLASS 2 | .531 | .468 MIN | 1.054 MAX | .328±.005 | 5/16" | 1.327 MAX | 500 | LOOSE PIECE | 696424-8 |
| M7928/4-157 CLASS 2 | .531 | .468 MIN | 1.054 MAX | .265±.005 | 1/4" | 1.327 MAX | 500 | LOOSE PIECE | 696424-7 |
| M7928/4-112 CLASS 2 | .375 | .302 MIN | .893 MAX | .197±.003 | #10 | 1.088 MAX | 500 | LOOSE PIECE | 696424-6 |
| M7928/4-156 CLASS 2 | .375 | .302 MIN | .893 MAX | .171±.003 | #8 | 1.088 MAX | 500 | LOOSE PIECE | 696424-5 |
| M7928/4-111 CLASS 2 | .375 | .302 MIN | .893 MAX | .145±.003 | #6 | 1.088 MAX | 500 | LOOSE PIECE | 696424-4 |
| MILITARY P/N & CLASS | "W" | "C" | "E" | "G" DIA | "S" | "L" | QTY | PACKAGE TYPE | PART NO |

| | | | | | | | | | |
|--|---|--|--|---|--|--------------|--|------------------------|--------------------|
| AMP INCORPORATED CUSTOMER SERVICE SYSTEMS | | MAX RECOMMENDED OPERATING TEMPERATURE: 150°C MAX | THIS DRAWING IS A CONTROLLED DOCUMENT. | | DWN JR RUTH 25JUL05 CHK T MICHELUTTI 25JUL05 APVD T MICHELUTTI 25JUL05 | | Tyco Electronics Tyco Electronics Corporation Harrisburg, Pa 17105-3608 | | |
| | | | DIMENSIONS: INCHES | TOLERANCES UNLESS OTHERWISE SPECIFIED: 0 PLC ± - 1 PLC ± - 2 PLC ± - 3 PLC ± - 4 PLC ± - ANGLES ± - | PRODUCT SPEC - APPLICATION SPEC - WEIGHT - | | NAME TERMINAL, RING TONGUE, PVF2, P.I.D.G. WIRE SIZE: 12-10 AWG | | |
| FOR ADDITIONAL PRODUCT INFORMATION OR COPIES OF DRAWINGS AND TECHNICAL DOCUMENTS PRODUCT INFORMATION CENTER 1-800-522-6752 | FOR APPLICATION TOOLING ASSISTANCE CENTER TOOLING INFORMATION 1-800-722-1111 | CIRCULAR MIL AREA: 2.62-6.64mm² [5,180-13,100] STRANDED | MATERIAL - 5 | FINISH - 4 | SIZE A3 | | CAGE CODE 00779 | DRAWING NO G-696424 | RESTRICTED TO - |
| FOR ORDER ENTRY 1-800-526-5142 | THIS DRAWING IS A CONTROLLED DOCUMENT FOR AMP INCORPORATED. IT IS SUBJECT TO CHANGE AND THE CONTROLLING ENGINEERING ORGANIZATION SHOULD BE CONTACTED FOR THE LATEST REVISION. | | CUSTOMER DRAWING | | | SCALE 4:1 | SHEET 1 OF 1 | REV A1 | |

X-ON Electronics

Largest Supplier of Electrical and Electronic Components

Click to view similar products for [Terminals](#) category:

Click to view products by [TE Connectivity](#) manufacturer:

Other Similar products are found below :

[00-054007-01074-6](#) [00-054007-70206-1](#) [00-054007-70210-8](#) [00-054007-70217-7](#) [00-054007-70226-9](#) [00-054007-70228-3](#) [00-054007-70248-1](#) [00-054007-70256-6](#) [00-054007-70301-3](#) [00-054007-70316-7](#) [0-0320562-0](#) [00-054007-49560-4](#) [00-054007-70209-2](#) [00-054007-70225-2](#) [00-054007-70227-6](#) [00-054007-70231-3](#) [00-054007-70241-2](#) [00-054007-70242-9](#) [00-054007-70244-3](#) [00-054007-70246-7](#) [00-054007-70263-4](#) [00-054007-70288-7](#) [00-054007-70290-0](#) [00-054007-70300-6](#) [00-054007-70304-4](#) [01-2065-1-0216](#) [01-2900-1-04412](#) [00581P0075](#) [600TS-10](#) [60205-1](#) [604200-1](#) [605601-1](#) [60598-1-CUT-TAPE](#) [61314-6-C](#) [61810-3](#) [61-S](#) [61-SN](#) [626-0194](#) [62-NBM-A](#) [62-SN](#) [62-SP](#) [63-S](#) [640179-1](#) [M55155/059I03](#) [M55155/079C01](#) [M55155/099H02](#) [M55155/109H01](#) [M55155/109H02](#) [M55155/12XH05](#) [M55155/16XH02](#)