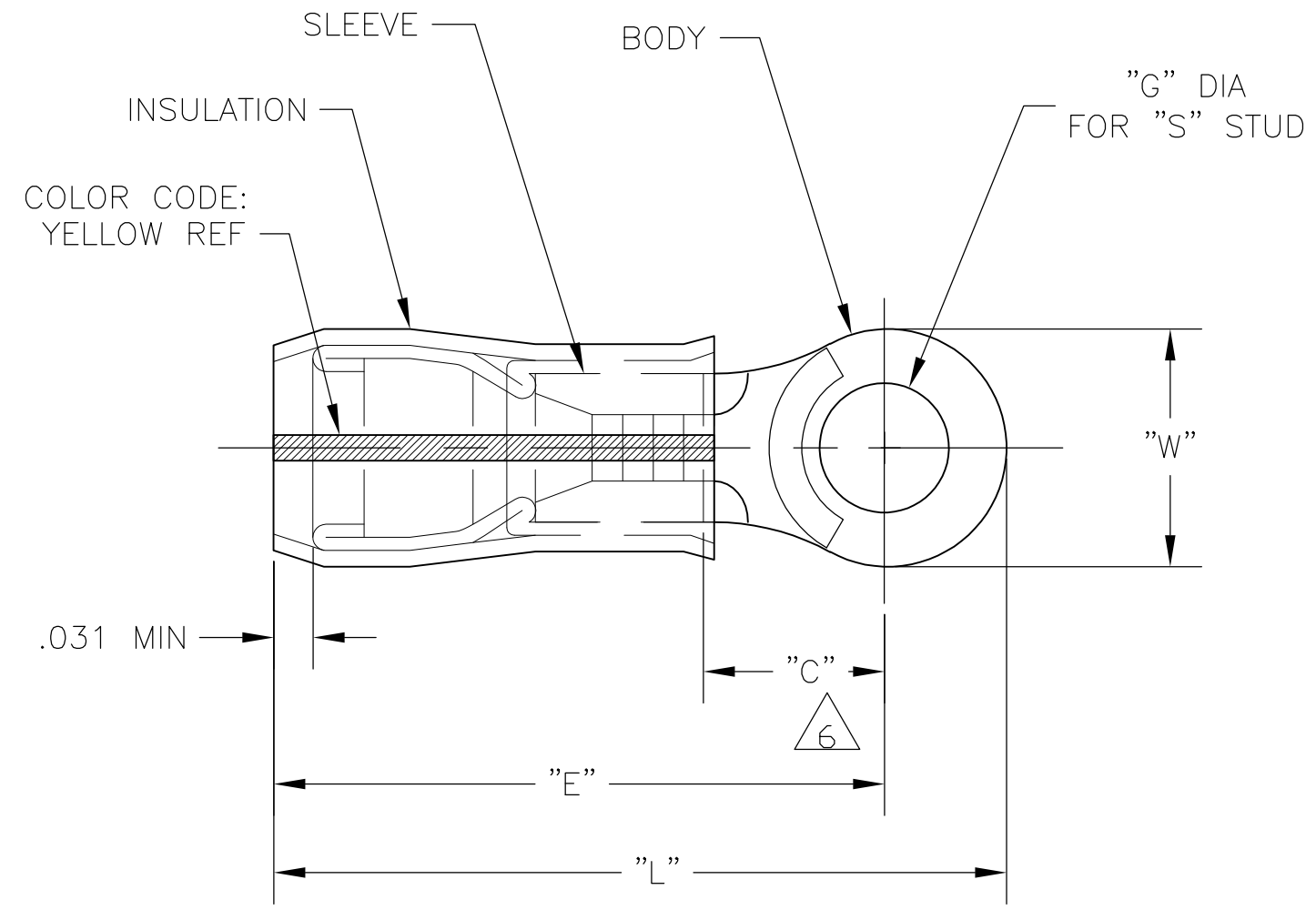


THIS DRAWING IS UNPUBLISHED. RELEASED FOR PUBLICATION  
 © COPYRIGHT BY TYCO ELECTRONICS CORPORATION. ALL RIGHTS RESERVED.

LOC	DIST	REVISIONS					
		P	LTR	DESCRIPTION	DATE	DWN	APVD
G	14		A1	REV PER ECR 07-016469	18JUL07	JR	TM



- 1 STAMP AMP 12-10\* APPROX AS SHOWN
- 2 WIRE INSULATION DIA: .150-.230
- 3 TONGUE MATERIAL THK: .039±.002
- 4 BODY & SLEEVE: TIN PLATE PER ASTM B545,
- 5 BODY & SLEEVE- CU PER ASTM B152  
INSULATION - PVF2, COLOR - NATURAL
- 6 APPLIES FROM EDGE OF METAL WIRE BARREL TO CENTER OF STUD HOLE.

M7928/4-158 CLASS 2	.715	.474 MIN	1.054 MAX	.515±.005	1/2"	1.419 MAX	500	LOOSE PIECE	1-696424-0
M7928/4-114 CLASS 2	.593	.531 MIN	1.115 MAX	.390±.005	3/8"	1.419 MAX	500	LOOSE PIECE	696424-9
M7928/4-113 CLASS 2	.531	.468 MIN	1.054 MAX	.328±.005	5/16"	1.327 MAX	500	LOOSE PIECE	696424-8
M7928/4-157 CLASS 2	.531	.468 MIN	1.054 MAX	.265±.005	1/4"	1.327 MAX	500	LOOSE PIECE	696424-7
M7928/4-112 CLASS 2	.375	.302 MIN	.893 MAX	.197±.003	#10	1.088 MAX	500	LOOSE PIECE	696424-6
M7928/4-156 CLASS 2	.375	.302 MIN	.893 MAX	.171±.003	#8	1.088 MAX	500	LOOSE PIECE	696424-5
M7928/4-111 CLASS 2	.375	.302 MIN	.893 MAX	.145±.003	#6	1.088 MAX	500	LOOSE PIECE	696424-4
MILITARY P/N & CLASS	"W"	"C"	"E"	"G" DIA	"S"	"L"	QTY	PACKAGE TYPE	PART NO

<b>AMP INCORPORATED</b> <b>CUSTOMER SERVICE SYSTEMS</b>		MAX RECOMMENDED OPERATING TEMPERATURE: 150°C MAX	THIS DRAWING IS A CONTROLLED DOCUMENT.		DWN JR RUTH 25JUL05 CHK T MICHELUTTI 25JUL05 APVD T MICHELUTTI 25JUL05		Tyco Electronics Corporation Harrisburg, Pa 17105-3608		
			DIMENSIONS: INCHES	TOLERANCES UNLESS OTHERWISE SPECIFIED: 0 PLC ± - 1 PLC ± - 2 PLC ± - 3 PLC ± - 4 PLC ± - ANGLES ± -	PRODUCT SPEC - APPLICATION SPEC - WEIGHT -		NAME TERMINAL, RING TONGUE, PVF2, P.I.D.G. WIRE SIZE: 12-10 AWG		
FOR ADDITIONAL PRODUCT INFORMATION OR COPIES OF DRAWINGS AND TECHNICAL DOCUMENTS PRODUCT INFORMATION CENTER 1-800-522-6752	FOR APPLICATION TOOLING ASSISTANCE CENTER TOOLING INFORMATION 1-800-722-1111	CIRCULAR MIL AREA: 2.62-6.64mm² [5,180-13,100] STRANDED	MATERIAL - 5	FINISH - 4	SIZE A3		CAGE CODE 00779	DRAWING NO G-696424	RESTRICTED TO -
FOR ORDER ENTRY 1-800-526-5142	THIS DRAWING IS A CONTROLLED DOCUMENT FOR AMP INCORPORATED. IT IS SUBJECT TO CHANGE AND THE CONTROLLING ENGINEERING ORGANIZATION SHOULD BE CONTACTED FOR THE LATEST REVISION.		CUSTOMER DRAWING			SCALE 4:1	SHEET 1 OF 1	REV A1	

## X-ON Electronics

Largest Supplier of Electrical and Electronic Components

*Click to view similar products for [Terminals](#) category:*

*Click to view products by [TE Connectivity](#) manufacturer:*

Other Similar products are found below :

[00-054007-01074-6](#) [00-054007-70206-1](#) [00-054007-70210-8](#) [00-054007-70217-7](#) [00-054007-70226-9](#) [00-054007-70228-3](#) [00-054007-70248-1](#) [00-054007-70256-6](#) [00-054007-70301-3](#) [00-054007-70316-7](#) [00-054007-49560-4](#) [00-054007-70209-2](#) [00-054007-70225-2](#) [00-054007-70227-6](#) [00-054007-70231-3](#) [00-054007-70241-2](#) [00-054007-70242-9](#) [00-054007-70244-3](#) [00-054007-70246-7](#) [00-054007-70263-4](#) [00-054007-70288-7](#) [00-054007-70290-0](#) [00-054007-70300-6](#) [00-054007-70304-4](#) [01-2065-1-0216](#) [01-2900-1-04412](#) [00581P0075](#) [600TS-10](#) [60205-1](#) [604200-1](#) [605601-1](#) [60598-1-CUT-TAPE](#) [61314-6-C](#) [61810-3](#) [61-S](#) [61-SN](#) [626-0194](#) [62-NBM-A](#) [62-SN](#) [62-SP](#) [63-S](#) [640179-1](#) [M55155/059I03](#) [M55155/079C01](#) [M55155/099H02](#) [M55155/109H01](#) [M55155/109H02](#) [M55155/12XH05](#) [M55155/16XH02](#) [M55155/29-5S](#)